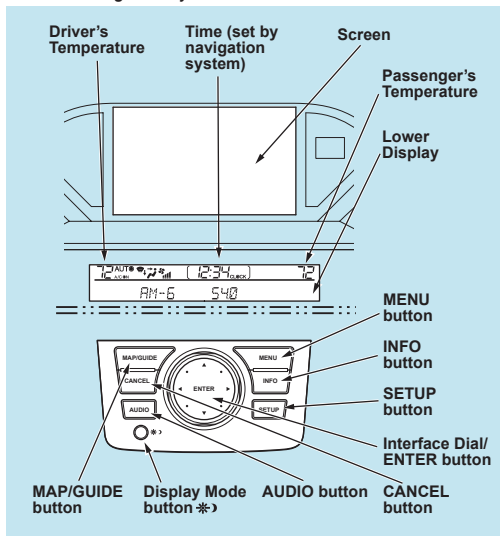


Navigation System

Navigation System

See the navigation system manual for more information.



Screen: All selections and instructions are displayed on the screen. This is not a "touch screen," meaning you can only enter information by using the joystick.

Note: If your vehicle is equipped with a rearview camera option, whenever you shift into R (reverse), the rear view is shown on the screen.

MAP/GUIDE button: Displays the map. When en route, switches the display between the map and guidance screens.

MENU button: Displays the "Enter a destination by" screen. When en route, displays the "Change route by" screen.

INFO button: Displays the screen for selecting Cellular Phonebook, Voice Command Help, Map Legend, Calendar, Calculator, and Key to Zagat Ratings.

SETUP button: Displays the Setup screen to change and update information in the system.

AUDIO button: Displays the audio screen.

CANCEL button: Cancels the current screen and returns to the previous screen.

Display Mode button: Changes display from Day mode, Night mode, or OFF.

Joystick/ENT button: Moves left, right, up, and down. Use to move the highlighting around the display, to scroll through lists, or to look around a displayed map. Push in joystick to enter the selection.

Navigation System

Map Screen Legend

Map Orientation



GPS Signal Strength

GPS : Best Reception
 GPS : Good Reception
Missing: Poor/No Reception

Vehicle Position

(Use voice command
“Display the current location,” or
use the Interface Dial to show
current location.)

Current Street

Current Map Scale

Map Scale Adjustment

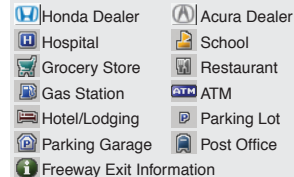
(Mile or km per half-inch appears only when you zoom in or out by rotating the **Interface Dial knob**.)

NOTE:

See **Map Legend** on the **Information** screen for further explanation.



Landmark Icon - Generic



One-Way Traffic Icon (1/20 mile only)

Map Features



NOTE:

If you move the Interface Dial over an area (map features shown above), the name is displayed on the screen.