

This manual should be considered a permanent part of the motorcycle and should remain with the motorcycle when it is resold.

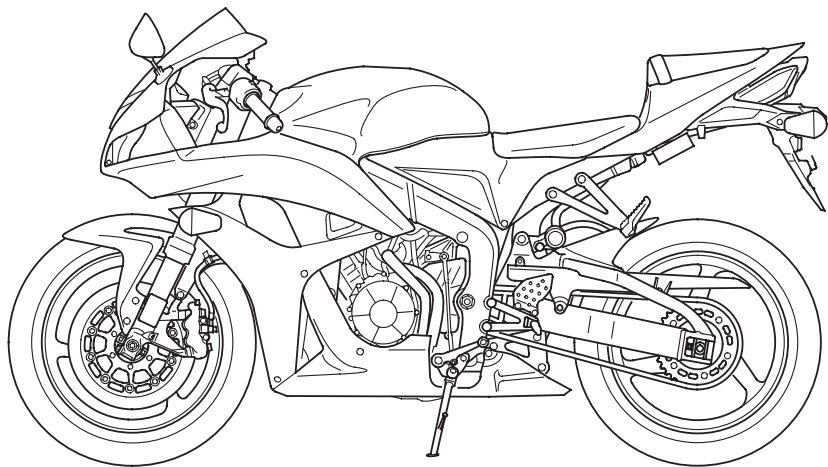
This publication includes the latest production information available before printing. Honda Motor Co., Ltd. reserves the right to make changes at any time without notice and without incurring any obligation.

No part of this publication may be reproduced without written permission.

The vehicle pictured on the front cover may not match your vehicle.

© 2006 Honda Motor Co., Ltd.

**2007
Honda CBR600RR
OWNER'S MANUAL**



Introduction

Congratulations on choosing your Honda motorcycle.

When you own a Honda, you're part of a worldwide family of satisfied customers — people who appreciate Honda's reputation for building quality into every product.

Before riding, take time to get acquainted with your motorcycle and how it works. To protect your investment, we urge you to take responsibility for keeping your motorcycle well maintained. Scheduled service is a must, of course. But it's just as important to observe the break-in guidelines, and perform all pre-ride and other periodic checks detailed in this manual.

We also recommend that you read this owner's manual before you ride. It's full of facts, instructions, safety information, and helpful tips. To make it easy to use, the manual contains a detailed list of topics at the beginning of each section, and both an in-depth table of contents and an index at the back of the book.

As you read this manual, you will find information that is preceded by a **NOTICE** symbol. This information is intended to help you avoid damage to your Honda, other property, or the environment.

Introduction

Read the Warranties Booklet (page 225) thoroughly so you understand the coverages that protect your new Honda and are aware of your rights and responsibilities.

If you have any questions, or if you ever need special service or repairs, remember that your Honda dealer knows your motorcycle best and is dedicated to your complete satisfaction.

Please report any change of address or ownership to your Honda dealer so we will be able to contact you concerning important production information.

You may also want to visit our website at www.honda.com.

Happy riding!

California Proposition 65 Warning
WARNING: This product contains or emits chemicals known to the State of California to cause cancer and birth defects or other reproductive harm.


A Few Words About Safety

Your safety, and the safety of others, is very important. And operating this motorcycle safely is an important responsibility.

To help you make informed decisions about safety, we have provided operating procedures and other information on labels and in this manual. This information alerts you to potential hazards that could hurt you or others.

Of course, it is not practical or possible to warn you about all hazards associated with operating or maintaining a motorcycle. You must use your own good judgment.

You will find important safety information in a variety of forms, including:

- **Safety Labels** — on the motorcycle.
- **Safety Messages** — preceded by a safety alert symbol  and one of three signal words: **DANGER**, **WARNING**, or **CAUTION**.

These signal words mean:

Safety Messages

A Few Words About Safety

DANGER

You **WILL** be **KILLED** or **SERIOUSLY HURT** if you don't follow instructions.

WARNING

You **CAN** be **KILLED** or **SERIOUSLY HURT** if you don't follow instructions.

CAUTION

You **CAN** be **HURT** if you don't follow instructions.

- **Safety Headings** — such as Important Safety Reminders or Important Safety Precautions.
- **Safety Section** — such as Motorcycle Safety.
- **Instructions** — how to use this motorcycle correctly and safely.

This entire manual is filled with important safety information — please read it carefully.

Contents

These pages give an overview of the contents of your owner's manual. The first page of each section lists the topics covered in that section.

Motorcycle Safety..... 1

Important safety information you should know, plus a look at the safety-related labels on your motorcycle.

Instruments & Controls..... 9

The location and function of indicators, gauges, and controls on your motorcycle and operating instructions for various controls and features.

Before Riding..... 39

The importance of wearing a helmet and other protective gear, how to make sure you and your motorcycle are ready to ride, and important information about loading.

Basic Operation & Riding..... 49

How to start and stop the engine, shift gears, and brake. Also, riding precautions and important information about riding with a passenger or cargo.

Contents

Servicing Your Honda 65

Why your motorcycle needs regular maintenance, what you need to know before servicing your Honda, an owner maintenance schedule, and instructions for specific maintenance and adjustment items.

Tips 163

How to store and transport your motorcycle and how to be an environmentally-responsible rider.

Taking Care of the Unexpected 169

What to do if you have a flat tire, your engine won't start, etc.

Technical Information 199

ID numbers, technical specifications, and other technical facts.

Consumer Information 221

Information on warranties, emission controls, how to get Honda service manuals, and...

“Reporting Safety Defects” 231

Table of Contents 232

Sequential listing of topics in this owner's manual.

Index 238

Quick Reference

Handy facts about fuel, engine oil, tire sizes, and air pressures.

Motorcycle Safety

This section presents some of the most important information and recommendations to help you ride your motorcycle safely. Please take a few moments to read these pages. This section also includes information about the location of safety labels on your motorcycle.

Important Safety Information	2
Accessories & Modifications.....	5
Safety Labels	7

Important Safety Information

Your motorcycle can provide many years of service and pleasure — if you take responsibility for your own safety and understand the challenges you can meet while riding.

There is much that you can do to protect yourself when you ride. You'll find many helpful recommendations throughout this manual. The following are a few that we consider most important.

Always Wear a Helmet

It's a proven fact: helmets significantly reduce the number and severity of head injuries. So always wear an approved motorcycle helmet and make sure your passenger does the same. We also recommend that you wear eye protection, sturdy boots, gloves, and other protective gear (page 40).

Important Safety Information

Take Time to Learn & Practice

Even if you have ridden other motorcycles, take time to become familiar with how this motorcycle works and handles. Practice in a safe area until you build your skills and get accustomed to the motorcycle's size and weight.

Because many accidents involve inexperienced or untrained riders, we urge all riders to take a certified course approved by the Motorcycle Safety Foundation (MSF). See page 42 .

Ride Defensively

The most frequent motorcycle collision happens when a car turns left in front of a motorcycle. Another common situation is a car moving suddenly into your lane.

Always pay attention to other vehicles around you, and do not assume that other drivers see you. Be prepared to stop quickly or make an evasive maneuver. For other riding tips, see the booklet, *You and Your Motorcycle: Riding Tips and Practice Guide*, which came with your new motorcycle (USA only).

Make Yourself Easy to See

Some drivers do not see motorcycles because they are not looking for them. To make yourself more visible, wear bright reflective clothing, position yourself so other drivers can see you, signal before turning or changing lanes, and use your horn when it will help others notice you.

Important Safety Information

Ride within Your Limits

Pushing limits is another major cause of motorcycle accidents. Never ride beyond your personal abilities or faster than conditions warrant. Remember that alcohol, drugs, fatigue, and inattention can significantly reduce your ability to make good judgments and ride safely.

Don't Drink and Ride

Alcohol and riding don't mix. Even one drink can reduce your ability to respond to changing conditions, and your reaction time gets worse with every additional drink. So don't drink and ride, and don't let your friends drink and ride either.

Keep Your Honda in Safe Condition

It's important to keep your motorcycle properly maintained and in safe riding condition. To help avoid problems, inspect your motorcycle before every ride and perform all recommended maintenance. Never exceed load limits (page 47), and do not modify your motorcycle (page 6) or install accessories that would make your motorcycle unsafe (page 5).

Accessories & Modifications

Modifying your motorcycle or using non-Honda accessories can make your motorcycle unsafe. Before you consider making any modifications or adding an accessory, be sure to read the following information.

⚠ WARNING

Improper accessories or modifications can cause a crash in which you can be seriously hurt or killed.

Follow all instructions in this owner's manual regarding accessories and modifications.

Accessories

We strongly recommend that you use only genuine Honda accessories that have been specifically designed and tested for your motorcycle. Because Honda cannot test all other accessories, you must be personally responsible for proper selection, installation, and use of non-Honda accessories.

Check with your Honda dealer for assistance and always follow these guidelines:

- Make sure the accessory does not obscure any lights, reduce ground clearance and lean angle, limit suspension travel or steering travel, alter your riding position, or interfere with operating any controls. (cont'd)

Accessories & Modifications

- Do not add any electrical equipment that will exceed the motorcycle's electrical system capacity (page 208). A blown fuse can cause a loss of lights or engine power (page 192).
- Do not pull a trailer or sidecar with your motorcycle. This motorcycle was not designed for these attachments, and their use can seriously impair your motorcycle's handling.

Modifications

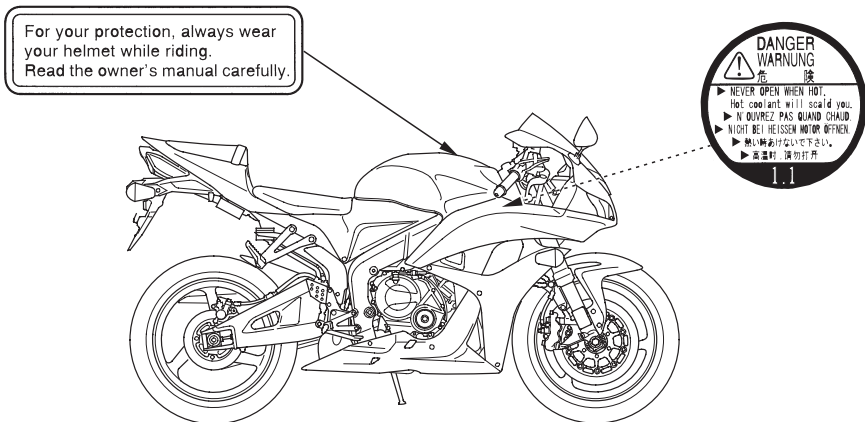
We strongly advise you not to remove any original equipment or modify your motorcycle in any way that would change its design or operation. Such changes could seriously impair your motorcycle's handling, stability, and braking, making it unsafe to ride.

Removing or modifying your lights, exhaust system, emission control system, or other equipment can also make your motorcycle illegal.

Safety Labels

Safety labels on your motorcycle either warn you of potential hazards that could cause serious injury or they provide important safety information. Read these labels carefully and don't remove them.

If a label comes off or becomes hard to read, contact your Honda dealer for a replacement.



Safety Labels

< For USA >

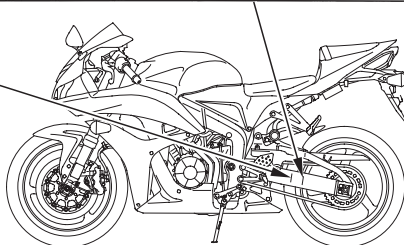
TIRE INFORMATION			
Cold tire pressures: [Up to maximum weight capacity] Front: 250kPa 2.50kg/cm ² 36psi Rear: 290kPa 2.90kg/cm ² 42psi [Up to 90kg(200lbs) load] Front: 250kPa 2.50kg/cm ² 36psi Rear: 290kPa 2.90kg/cm ² 42psi Maximum weight capacity: 166kg(366lbs) Tire size: Front 120/70ZR17M/C(58W) Rear 180/55ZR17M/C(73W)	Tire brand	Front	Rear
	DUNLOP	Qualifier PTG	Qualifier PTG
	BRIDGESTONE	BT015F RADIALE	BT015R RADIALE
	Min. recommend tire center tread depth: Front 1.5mm (0.06in.) Rear 2.0mm (0.08in.)		
Read owner's manual.			
This motorcycle is equipped with tubeless tires.			

< For Canada >

TIRE INFORMATION			
Cold tire pressures: [Up to maximum weight capacity] Front: 250kPa 2.50kg/cm ² 36psi Rear: 290kPa 2.90kg/cm ² 42psi [Up to 90kg(200lbs) load] Front: 250kPa 2.50kg/cm ² 36psi Rear: 290kPa 2.90kg/cm ² 42psi Maximum weight capacity: 170kg(375lbs) Tire size: Front 120/70ZR17M/C(58W) Rear 180/55ZR17M/C(73W)	Tire brand	Front	Rear
	DUNLOP	Qualifier PTG	Qualifier PTG
	BRIDGESTONE	BT015F RADIALE	BT015R RADIALE
	Min. recommend tire center tread depth: Front 1.5mm (0.06in.) Rear 2.0mm (0.08in.)		
Read owner's manual.			
This motorcycle is equipped with tubeless tires.			

▲ WARNING

Improper loading can cause a crash and you may be seriously hurt or killed.
See "Load Limits and Guidelines" in your Owner's Manual for complete instructions.



Instruments & Controls

This section shows the location of all gauges, indicators, and controls you would normally use before or while riding your motorcycle.

The items listed on this page are described in this section. Instructions for other components are presented in other sections of this manual where they will be most useful.

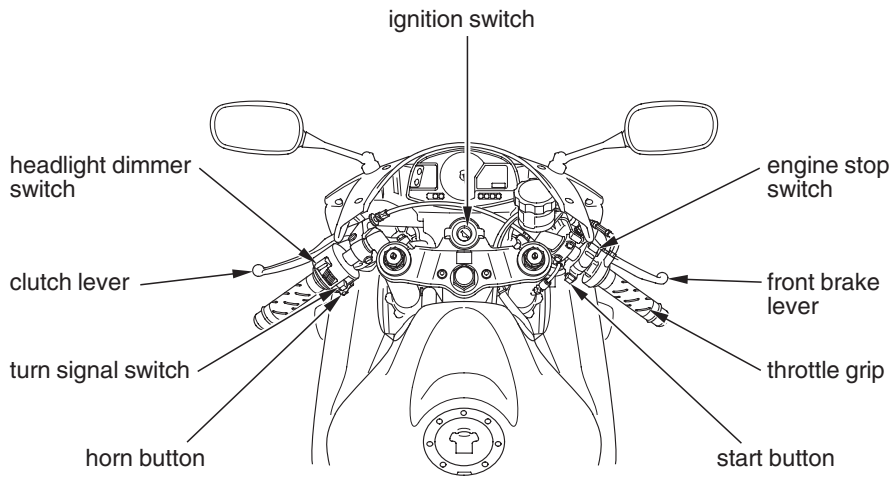
Operation Component Locations	11
Gauges, Indicators & Displays.....	14
Fuel Gauge.....	22
Multi-function Display.....	24
Coolant Temperature Meter.....	25
Speedometer	27
Odometer/Tripmeter A & B.....	28
Changing the Speed, Mileage and Temperature Unit	29
Digital Clock	31

(cont'd)

Instruments & Controls

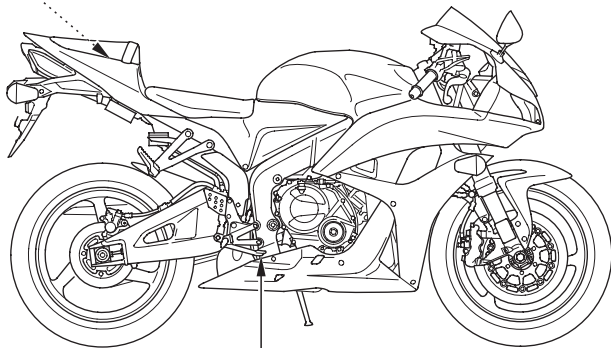
Controls & Features.....	34
Ignition Switch	34
Start Button.....	35
Engine Stop Switch	35
Headlight Dimmer Switch	36
Turn Signal Switch.....	36
Horn Button	37
RESET Button.....	37
SEL Button	37
HESD (Honda Electronic Steering Damper)	38

Operation Component Locations



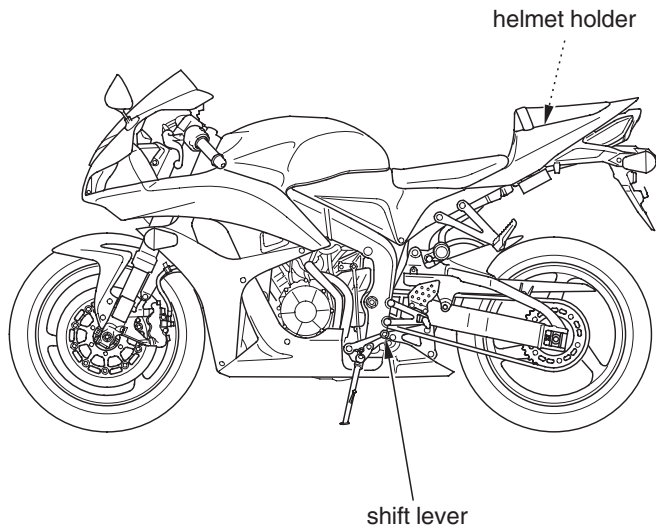
Operation Component Locations

storage compartment
for U-shaped lock



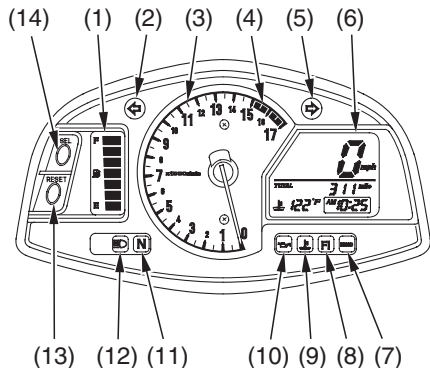
rear brake pedal

Operation Component Locations



Gauges, Indicators & Displays

The gauges, indicators and displays on your motorcycle keep you informed, alert you to possible problems, and make your riding safer and more enjoyable. Refer to the gauges, indicators and displays frequently. Their functions are described on the following pages.



- (1) fuel gauge
- (2) left turn signal indicator
- (3) tachometer
- (4) tachometer red zone
- (5) right turn signal indicator
- (6) multi-function display
- (7) HESD indicator
- (8) PGM-FI malfunction indicator lamp (MIL)
- (9) high coolant temperature indicator
- (10) low oil pressure indicator
- (11) neutral indicator
- (12) high beam indicator
- (13) RESET button
- (14) SEL button

Gauges, Indicators & Displays

Lamp Check

The low oil pressure indicator comes on when you turn the ignition switch ON so you can check that it is working. The indicator remains on until after the engine is started.

The neutral indicator, high beam indicator, left turn signal indicator, right turn signal indicator, and high coolant temperature indicator light for a few seconds and then go off when you turn the ignition switch ON.

The PGM-FI malfunction indicator lamp (MIL) and HESD indicator light for a few seconds and then go off when you turn the ignition switch ON and engine stop switch is at RUN.

When applicable, the high beam and neutral indicators come on when you turn the ignition switch ON and remain on until you select the low beam or shift out of neutral.

These indicators are identified in the table on pages 18 – 21 with the words: *Lamp Check*.

If one of these indicators does not come on when it should, have your Honda dealer check for problems.

Gauges, Indicators & Displays

Meter Check

The tachometer needle will swing to the end of the red zone once when you turn the ignition switch ON.

The meter is identified in the table on page 18 with the words: *Meter Check*.

If the tachometer needle does not swing to the end of the red zone when it should, have your Honda dealer check for problems.

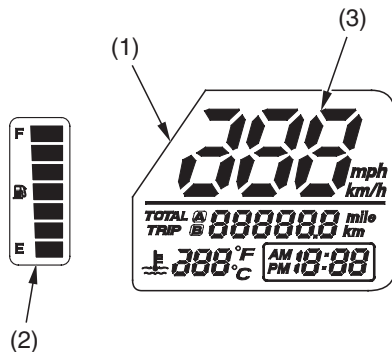
Gauges, Indicators & Displays

Display Check

When the ignition switch is turned ON, the multi-function display (1) and fuel gauge (2) will temporarily show the entire digital display. Thereafter, the speedometer (3) will show from 180 mph to 0 mph (from 290 km/h to 0 km/h in km/h) so that you can make sure the liquid crystal display is functioning properly.

The displays are identified in the table on pages 18 — 19 with the words: *Display Check*.

If any part of these displays does not come on when it should, have your Honda dealer check for problems.



- (1) multi-function display
- (2) fuel gauge
- (3) speedometer

Gauges, Indicators & Displays

1	fuel gauge	Shows approximate fuel supply available (page 22). <i>Display Check.</i>
2	left turn signal indicator (green)	Flashes when the left turn signal operates. <i>Lamp Check.</i>
3	tachometer	Shows engine speed in revolutions per minute (rpm). <i>Meter Check.</i>
4	tachometer red zone	Shows excessive engine rpm range (indicated from the beginning of the tachometer red zone) in which operation may damage the engine. Do not let the tachometer needle enter the red zone.
5	right turn signal indicator (green)	Flashes when the right turn signal operates. <i>Lamp Check.</i>

Gauges, Indicators & Displays

6	multi-function display	The display includes the following functions: <i>Display Check.</i>
	coolant temperature meter	Shows coolant temperature (page 25). Fahrenheit (°F) or Centigrade (°C).
	speedometer	Shows riding speed in miles or kilometers per hour (page 27).
	odometer	Shows the total miles or kilometers ridden (page 28).
	tripmeter A & B	Shows the number of miles or kilometers ridden since you last reset the meter. The tripmeter has two sub modes, “A” and “B.” To zero (0) the tripmeter, press the RESET button (page 28).
	digital clock	Shows hour and minute (page 31).

Gauges, Indicators & Displays

7	HESD indicator (red)	Lights when there is any abnormality in the HESD (Honda Electronic Steering Damper). Should also light for a few seconds and then go off when the ignition switch is turned ON and the engine stop switch is at RUN. If the indicator comes on at any other time, reduce speed and take your motorcycle to a Honda dealer as soon as possible (page 38). <i>Lamp Check.</i>
8	PGM-FI malfunction indicator lamp (MIL) (red)	Lights when there is any abnormality in the PGM-FI (Programmed Fuel Injection) system. Should also light for a few seconds and then go off when the ignition switch is turned ON and the engine stop switch is at RUN. If the indicator comes on at any other time, reduce speed and take your motorcycle to a Honda dealer as soon as possible. <i>Lamp Check.</i>
9	high coolant temperature indicator (red)	Lights when the coolant is over the specified temperature. If the indicator comes on, pull safely to the side of the road. See pages 189 – 190 for instructions and cautions. <i>Lamp Check.</i>

Gauges, Indicators & Displays

10	low oil pressure indicator (red)	Lights when engine oil pressure is low enough to cause engine damage. If the low oil pressure indicator lights during operation, pull safely to the side of the road. See page 191 for instructions and cautions. <i>Lamp Check.</i>
11	neutral indicator (green)	Lights when the transmission is in neutral. <i>Lamp Check.</i>
12	high beam indicator (blue)	Lights when the headlight is on high beam. <i>Lamp Check.</i>
13	RESET button	Resets the tripmeter to zero (0) (page 28). Also used to change the speed, mileage and temperature units for the speedometer/odometer/tripmeter/coolant temperature meter (pages 29 – 30). Also used to set the digital clock (pages 31 – 33).
14	SEL button	Selects the odometer, tripmeter A and tripmeter B (page 28). Also used to set the digital clock (pages 31 – 33).

Gauges, Indicators & Displays

Fuel Gauge

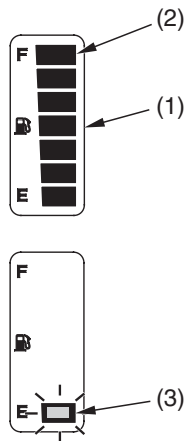
The fuel gauge liquid crystal display (1) shows the approximate fuel supply available in a graduated display. When segment F (2) goes on, the fuel tank capacity is:

4.76 US gal (18.0 ℓ)

When segment E (3) flashes, you should refill the tank as soon as possible.

The amount of fuel remaining when the flashing starts is approximately:

1.00 US gal (3.8 ℓ)

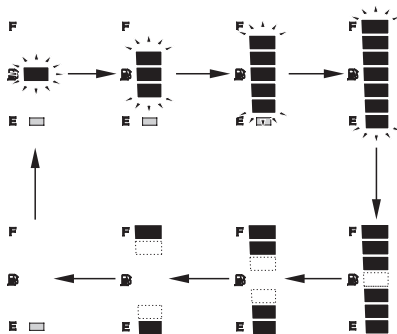


- (1) fuel gauge display
- (2) segment F
- (3) segment E

Gauges, Indicators & Displays

Fuel Gauge Failure Indication

When the fuel system has an error, the fuel gauge indicators will be displayed as shown in the illustration. If this occurs, see your Honda dealer as soon as possible.



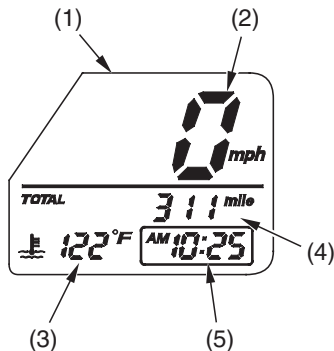
Gauges, Indicators & Displays

Multi-function Display

The multi-function display (1) includes the following functions:

- speedometer
- coolant temperature meter
- odometer/tripmeter
- digital clock

Both the digital clock and tripmeter will reset if the battery is disconnected.



- (1) multi-function display
- (2) speedometer
- (3) coolant temperature meter
- (4) odometer/tripmeter
- (5) digital clock

Gauges, Indicators & Displays

Coolant Temperature Meter

The coolant temperature meter (1) shows the coolant temperature digitally.

Temperature Display

Below 94 °F (34 °C)	“--” is displayed.
Between 95 °F – 250 °F (35 °C – 121 °C)	Actual coolant temperature is displayed.
Between 251 °F – 269 °F (122 °C – 131 °C)	Actual coolant temperature is displayed and flashed.
Above 270 °F (132 °C)	The display remains and flashes “270 °F (132 °C)”.

USA : Fahrenheit (°F), or
Centigrade (°C).
Canada : Centigrade (°C).

< Fahrenheit (°F) >



< Centigrade (°C) >



(1) coolant temperature meter

Gauges, Indicators & Displays

Overheating Message:

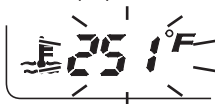
When the coolant temperature reaches 251°F (122°C), the numbers in the temperature display start flashing and the high coolant temperature indicator (2) comes on.

If this occurs, stop the engine and check the reserve tank coolant level. Read pages 104 – 107 and do not ride the motorcycle until the problem has been corrected.

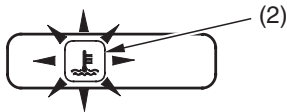
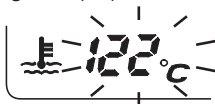
NOTICE

Continuing to ride with an overheated engine can cause serious engine damage.

< Fahrenheit (°F) >



< Centigrade (°C) >

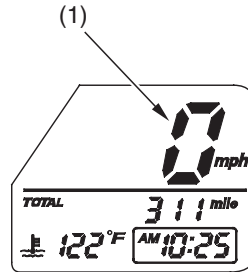


(2) high coolant temperature indicator

Gauges, Indicators & Displays

Speedometer

The speedometer (1) shows riding speed in miles or kilometers per hour.



(1) speedometer

Gauges, Indicators & Displays

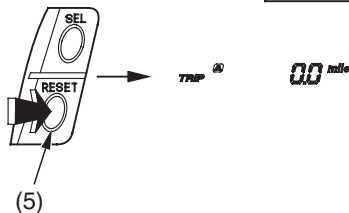
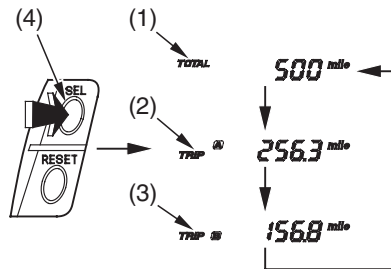
Odometer/Tripmeter A & B

The odometer (1) shows the total miles or kilometers ridden.

The tripmeter A (2) and tripmeter B (3) show number of miles or kilometers ridden since you last reset the meter.

To select the odometer, tripmeter A or tripmeter B, push the SEL button (4).

To reset the tripmeter, push and hold the RESET button (5) when the display is in the tripmeter A or tripmeter B.



- (1) odometer
- (2) tripmeter A
- (3) tripmeter B
- (4) SEL button
- (5) RESET button

Gauges, Indicators & Displays

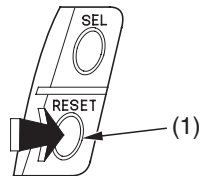
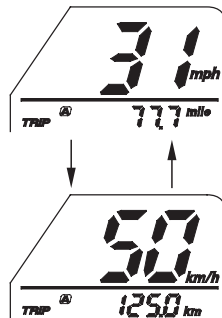
Changing the Speed, Mileage and Temperature Unit

The speedometer displays both “mph” and “km/h.”

The odometer/tripmeter displays both “mile” and “km.”

The coolant temperature meter displays both “°F” (Fahrenheit) and “°C” (Centigrade).

To select “mph”/“mile” and “km/h”/“km,” push the RESET button (1) with the display in the tripmeter A mode.

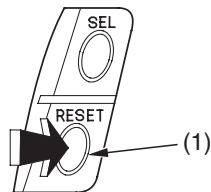


(1) RESET button

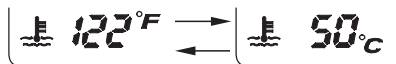
Gauges, Indicators & Displays

(USA only)

To select “°F” (Fahrenheit) and “°C” (Centigrade), push the RESET button (1) with the display in the tripmeter B mode.



< Fahrenheit (°F) > < Centigrade (°C) >



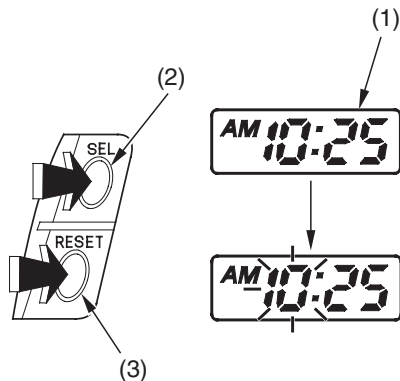
(1) RESET button

Gauges, Indicators & Displays

Digital Clock

Shows hour and minute. To adjust the time, proceed as follows:

1. Turn the ignition switch ON.
2. Push and hold both the SEL button (2) and RESET button (3) for more than 2 seconds. The clock will be set in the adjust mode with the hour display flashing.

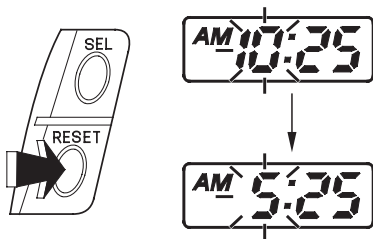


- (1) digital clock
(2) SEL button
(3) RESET button

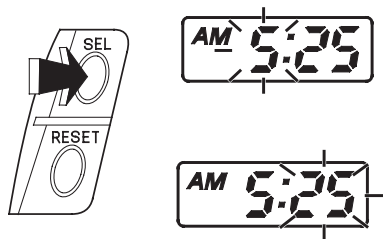
(cont'd)

Gauges, Indicators & Displays

3. To set the hour, push the RESET button until the desired hour and AM/PM are displayed.
- The time is advanced by one hour, each time the button is pushed.
 - Quick setting — push and hold the RESET button until the desired hour and AM/PM appear.

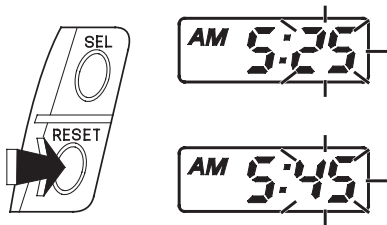


4. Push the SEL button. The minute display will start flashing.



Gauges, Indicators & Displays

5. To set the minute, push and release the RESET button until the desired minute is displayed. The minute display will return to “00” when “60” is reached without affecting the hour display.
- The time advances by one minute, each time the button is pushed.
 - Quick setting — push and hold the RESET button until the desired minute appears.



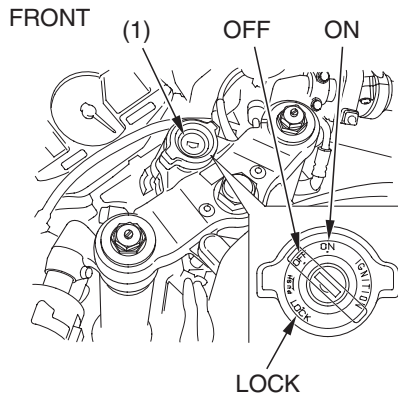
6. To end the adjustment, push the SEL button or turn the ignition switch OFF. The display will stop flashing automatically and the adjustment will be cancelled if the button is not pushed for about 30 seconds.

Controls & Features

Ignition Switch

The ignition switch (1) is used for starting and stopping the engine (page 51) and to lock the steering for theft prevention (page 60). Insert the key and turn it to the right for the ON position. Push down on the key and turn it to the left to the LOCK (steering lock) position.

Key Position	Function
ON	Electrical circuits on.
OFF	No electrical circuits function.
LOCK (steering lock)	No electrical circuits function. Locks the steering head.



(1) ignition switch

To unlock the steering lock, insert and push down on the key and turn it to the right to the OFF position.

Start Button



The start button (1) is used for starting the engine. Pushing the button in starts the engine. See *Starting Procedure*, page 52.

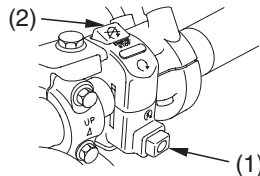
When the start button is pushed, the starter motor will crank the engine; the headlight will automatically go out, but the position light, taillight and license light will stay on.

The engine will not operate if the engine stop switch is in the OFF position when the start button is pushed.

Engine Stop Switch



RIGHT HANDLEBAR



- (1) start button OFF
(2) engine stop switch RUN

The engine stop switch (2) is used to stop the engine in an emergency. To operate, push the switch to the OFF position. The switch must be in the RUN position to start the engine, and it should normally remain in the RUN position even when the engine is OFF.

Controls & Features

If your motorcycle is stopped with the ignition switch ON and the engine stop switch OFF, the headlight, position light, taillight and license light will remain on, resulting in battery discharge.

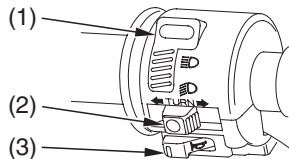
Headlight Dimmer Switch



The headlight dimmer switch (1) is used to change between the high and low beams of the headlight. To operate, turn the switch to HI for high beam, LO for low beam.

Turn Signal Switch

The turn signal switch (2) is used to signal a turn or a lane change. To operate, move the switch all the way in the proper direction and release it. The appropriate turn signal lights will start blinking. To cancel the light, push the switch in.

LEFT HANDLEBAR



- (1) headlight dimmer switch  HI
(2) turn signal switch  LO
(3) horn button

Horn Button



The horn is used to alert other motorists. To operate, push the horn button (3).

RESET Button

The RESET button is used to reset (zero) the tripmeter. To reset the tripmeter, press and hold the button for 2—3 seconds (page 28).

The RESET button is also used to change the speed, mileage and temperature units for the speedometer/odometer/tripmeter/coolant temperature meter (pages 29 — 30).

The RESET button is also used to set the digital clock (page 31).

SEL Button

The SEL button is used to select odometer, tripmeter A or tripmeter B. To select from one tripmeter to the other, press the button (page 28).

The SEL button is also used to set the digital clock (page 31).

Controls & Features

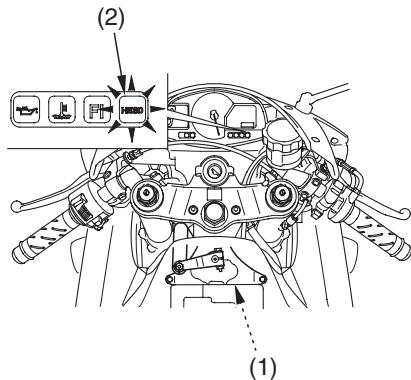
HESD (Honda Electronic Steering Damper)

This motorcycle is equipped with the electronically-controlled steering damper.

The HESD (1) automatically controls the steering damper characteristics in accordance with the vehicle speed and the acceleration.

The HESD indicator (2) lights when there is any abnormality in the HESD. The HESD indicator should also light for a few seconds and then go off when the ignition switch is turned ON and engine stop switch is at RUN.

If the HESD indicator lights at any other time, reduce speed and take your motorcycle to a Honda dealer as soon as possible.



- (1) HESD
- (2) HESD indicator

Before Riding

Before each ride, you need to make sure you and your Honda are both ready to ride. To help get you prepared, this section discusses how to evaluate your riding readiness, what items you should check on your motorcycle, and adjustments to make for your comfort, convenience, or safety. This section also includes important information about loading.

For information about adjusting the suspension on your Honda, see page 120.

Are You Ready to Ride?	40
Protective Apparel.....	40
Rider Training	42
Is Your Motorcycle Ready to Ride?	43
Pre-ride Inspection	43
Load Limits & Guidelines.....	46
Loading.....	46
Load Limits	47
Loading Guidelines	47

Are You Ready to Ride?

Before you ride your motorcycle for the first time, we urge you to:

- Read this owner's manual.
- Make sure you understand all the safety messages.
- Know how to operate all the controls.

Before each ride, be sure:

- You feel well and are in good physical and mental condition.
- You are wearing an approved motorcycle helmet (with chin strap tightened securely), eye protection, and other protective clothing.
- You don't have any alcohol or drugs in your system.

Make sure your passenger is ready to ride, too, and is wearing proper gear including a helmet.

If you must carry an extra helmet while riding, use a commercially-available elastic cord, strap, or net to secure the helmet to the seat.

Protective Apparel

For your safety, we strongly recommend that you always wear an approved motorcycle helmet, eye protection, boots, gloves, long pants, and a long-sleeved shirt or jacket whenever you ride.

Although complete protection is not possible, wearing proper gear can reduce the chance of injury when you ride.

Following are suggestions to help you choose the proper gear.

Are You Ready to Ride?

Helmets and Eye Protection

Your helmet is your most important piece of riding gear because it offers the best protection against head injuries. A helmet should fit your head comfortably and securely. A bright-colored helmet and reflective strips can make you more noticeable in traffic.

An open-face helmet offers some protection, but a full-face helmet offers more. Regardless of the style, look for a DOT (Department of Transportation) sticker in any helmet you buy (USA only). Always wear a face shield or goggles to protect your eyes and help your vision.

WARNING

Not wearing a helmet increases the chance of serious injury or death in a crash.

Be sure you and your passenger always wear a helmet, eye protection, and other protective apparel when you ride.

Additional Riding Gear

In addition to a helmet and eye protection, we also recommend:

- Sturdy boots with non-slip soles to help protect your feet and ankles.
- Leather gloves to help protect your hands.

(cont'd)

Are You Ready to Ride?

- A motorcycle riding suit or jacket for comfort as well as protection. Bright-colored and reflective clothing can help make you more noticeable in traffic. Avoid loose clothes that could get caught on any part of your motorcycle.

To avoid possible heat damage to your motorcycle or personal belongings, do not block or restrict air flow around the exhaust muffler with baggage or clothing.

Rider Training

Developing your riding skills is an on-going process. Even if you have ridden other motorcycles, take time to become familiar with how this motorcycle works and handles.

Practice riding the motorcycle in a safe area to build your skills. Do not ride in traffic until you get accustomed to the motorcycle's controls, and feel comfortable with its size and weight.

We urge all riders to take a certified course approved by the Motorcycle Safety Foundation (MSF). New riders should start with the basic course, and even experienced riders will find the advanced course beneficial. For information about the MSF training course nearest you, call the national toll-free number: (800) 446-9227.

Other riding tips can be found in the *Riding Tips* booklet that came with your motorcycle (USA only).

Is Your Motorcycle Ready to Ride?

Before each ride, it's important to inspect your motorcycle and make sure any problem you find is corrected. A pre-ride inspection is a must, not only for safety, but because having a breakdown, or even a flat tire, can be a major inconvenience.

WARNING

Improperly maintaining this motorcycle or failing to correct a problem before riding can cause a crash in which you can be seriously hurt or killed.

Always perform a pre-ride inspection before every ride and correct any problems.

Pre-ride Inspection

Check the following items before you get on the motorcycle:

- | | |
|---------------|-----------------------------------|
| <i>Tires</i> | Look at the tires. If a tire |
| <i>&</i> | appears low, use an air pressure |
| <i>Wheels</i> | gauge to check its pressure. Also |
| | look for signs of excessive wear |
| | (page 137) or damage to the |
| | tires and wheels. |
| <i>Chain</i> | Check the condition of the chain. |
| | Adjust slack and lubricate as |
| | needed (page 144). |

Is Your Motorcycle Ready to Ride?

*Leaks,
Loose
Parts*

Walk around your motorcycle and look for anything that appears unusual, such as a leak or loose cable.

Lights

Make sure the headlight, position light, brakelight, taillight, license light and turn signals are working properly.

If you are carrying a passenger or cargo, also check the following:

Load Limits Make sure you do not exceed the load limits (page 47).

Cargo Check that all cargo is secure.

Adjustments Adjust the suspension (pages 121, 125) according to your load.

Is Your Motorcycle Ready to Ride?

Check these items after you get on the motorcycle:

- Throttle* Rotate the throttle to check it moves smoothly without binding.
- Brakes* Pull the brake lever and press on the brake pedal to check that they operate normally.
- Indicators* Turn the ignition on and check for normal operation of the indicators (page 14).

If you haven't ridden the motorcycle in over a week, you should also check other items, such as the oil level and other fluids. See *Periodic Maintenance* (page 72). Periodic maintenance should also be done at least once a month, no matter how often you ride.

Remember, be sure to take care of any problem you find, or have your Honda dealer correct it before you ride.

Load Limits & Guidelines

Your motorcycle has been designed to carry you and one passenger. When you carry a passenger, you may feel some difference during acceleration and braking. But so long as you keep your motorcycle well-maintained, with good tires and brakes, you can safely carry loads within the given limits and guidelines.

However, exceeding the weight limit or carrying an unbalanced load can seriously impair your motorcycle's handling, braking, and stability. Non-Honda accessories, improper modifications, and poor maintenance can also reduce your safety margin.

Loading

How much weight you put on your motorcycle, and how you load it, are important to your safety. Anytime you ride with a passenger or cargo, you should be aware of the following information.

WARNING

Overloading or improper loading can cause a crash and you can be seriously hurt or killed.

Follow all load limits and other loading guidelines in this manual.

Load Limits & Guidelines

Load Limits

Following are the load limits for your motorcycle:

maximum weight capacity:

366 lbs (166 kg)

375 lbs (170 kg) (Canada only)

includes the weight of the rider, passenger, all cargo, and all accessories.

maximum cargo weight:

31 lbs (14 kg)

The weight of added accessories will reduce the maximum cargo weight you can carry.

Loading Guidelines

Your motorcycle is primarily intended for transporting you and a passenger. You may wish to secure a jacket or other small items to the seat when you are not riding with a passenger.

If you wish to carry more cargo, check with your Honda dealer for advice, and be sure to read the information regarding accessories on page 5 .

Improperly loading your motorcycle can affect its stability and handling. Even if your motorcycle is properly loaded, you should ride at reduced speeds and never exceed 80 mph (130 km/h) when carrying cargo.

Load Limits & Guidelines

Follow these guidelines whenever you carry a passenger or cargo:

- Check that both tires are properly inflated (page 135).
 - If you change your normal load, you may need to adjust the front suspension (page 121) and the rear suspension (page 125).
 - To prevent loose items from creating a hazard, make sure that all cargo is tied down securely before you ride.
 - Place cargo weight as low and close to the center of your motorcycle as possible.
 - Balance cargo weight evenly on both sides.
- To avoid possible heat damage to your motorcycle or personal belongings, do not block or restrict air flow around the exhaust muffler with baggage or clothing.

Basic Operation & Riding

This section gives basic riding instructions, including how to start and stop your engine, and how to use the throttle, clutch, and brakes. It also provides important information on riding with a passenger or cargo.

To protect your new engine and enjoy optimum performance and service life, refer to Break-in Guidelines (page 210).

To protect the catalytic converter in your motorcycle's exhaust system, avoid extended idling and the use of leaded gasoline.

Safe Riding Precautions	50
Starting & Stopping the Engine	51
Preparation.....	51
Starting Procedure	52
Flooded Engine	53
Bank Angle Sensor Ignition Cut-off System	53
How to Stop the Engine	54
Shifting Gears.....	55
Braking	57
Parking.....	59
Theft-Prevention Tips	62
Riding with a Passenger or Cargo.....	64

Safe Riding Precautions

Before riding your motorcycle for the first time, please review the *Motorcycle Safety* section beginning on page 1, and the *Before Riding* section beginning on page 39 .

Even if you have ridden other motorcycles, take time to become familiar with how this motorcycle works and handles. Practice in a safe area until you build your skills and get accustomed to the motorcycle's size and weight.

Make sure flammable materials such as dry grass or leaves do not come in contact with the exhaust system when riding, idling, or parking your motorcycle.

Starting & Stopping the Engine

Always follow the proper starting procedure described below.

For your safety, avoid starting or operating the engine in an enclosed area such as a garage. Your motorcycle's exhaust contains poisonous carbon monoxide gas which can collect rapidly in an enclosed area and cause illness or death.

Your motorcycle can be started with the transmission in gear by pulling in the clutch lever before operating the starter.

Your motorcycle is equipped with a side stand ignition cut-off system. If the side stand is down — the engine cannot be started unless the transmission is in neutral. If the side stand is up — the engine can be started in neutral, or in gear with the

clutch lever pulled in. After starting with the side stand down, the engine will stop if the transmission is put in gear before raising the side stand.

Preparation

Before starting, insert the key, turn the ignition switch ON, and confirm the following:

- The transmission is in neutral (neutral indicator light ON).
- The engine stop switch is set to RUN.
- The low oil pressure indicator is ON.
- The PGM-FI malfunction indicator lamp (MIL) is OFF.
- The high coolant temperature indicator is OFF.
- The HESD indicator is OFF.

Starting & Stopping the Engine

The low oil pressure indicator should go off a few seconds after the engine starts. If the low oil pressure indicator lights during operation, stop the engine immediately and check the engine oil level.

Starting Procedure

This motorcycle has a fuel-injected with an automatic choke. Follow the procedure indicated below.

Any Air Temperature

1. With the throttle completely closed, press the start button.

The engine will not start if the throttle is fully open (because the electronic control module cuts off the fuel supply).

Even if the engine coolant stays below the specified temperature, the cooling fan sometimes starts up running when you rev up the engine, but this is normal.

Starting & Stopping the Engine

Flooded Engine

If the engine fails to start after repeated attempts, it may be flooded with excess fuel. To clear a flooded engine:

1. Leave the engine stop switch set to RUN.
2. Open the throttle fully.
3. Press the start button for 5 seconds.
4. Follow the normal starting procedure.
5. If the engine starts, then open the throttle slightly if idling is unstable. If the engine does not start, wait 10 seconds, then follow steps 1 – 4 again.

If the engine still won't start, refer to *If Your Engine Quits or Won't Start*, page 171 .

Bank Angle Sensor Ignition Cut-off System

Your motorcycle's banking (lean angle) sensor system is designed to automatically stop the engine and fuel pump if the motorcycle is overturned.

Before restarting the engine, you must turn the ignition switch to the OFF position and then back to ON. The engine will not restart until you perform this procedure.

Starting & Stopping the Engine

How to Stop the Engine

Normal Engine Stop

To stop the engine, shift into neutral and turn the ignition switch OFF.

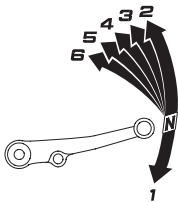
The engine stop switch should normally remain in the RUN position even when the engine is OFF.

If your motorcycle is stopped with the engine stop switch OFF and the ignition switch ON, the headlight, position light, taillight, and license light will remain on, resulting in battery discharge.

Emergency Engine Stop

To stop the engine in an emergency, use the engine stop switch. To operate, press the switch to the OFF position.

Shifting Gears



shifting pattern

Your motorcycle has six forward gears in a one-down, five-up shift pattern which is coordinated with a cable-operated clutch system.

Learning when to shift gears comes with experience. Keep the following tips in mind:

- As a general rule, shift while moving in a straight line.

- Close the throttle and pull the clutch lever in completely before shifting. Improper shifting may damage the engine, transmission, and drive train.
- Learn to recognize the engagement point as you release the clutch lever. It is at this point the transmission of power to the rear wheel resumes.
- Upshift to a higher gear or reduce throttle before engine rpm (speed) gets too high. Learn the relationship between engine sound and the normal shifting points.
- Downshift to a lower gear before you feel the engine laboring (lugging) at low rpm.

(cont'd)

Shifting Gears

- Avoid downshifting to help slow your motorcycle when engine rpm is near its allowable maximum (near the tachometer red zone). In this situation, the rev limiter in the engine ignition control module may not prevent excessive engine speed which could damage the engine.
- To prevent transmission damage, do not coast or tow the motorcycle for long distances with the engine off.

Recommended Shift Points

Ride in the highest gear that lets the engine run and accelerate smoothly. This will give you good fuel economy and effective emissions control. When changing gears under normal conditions, use these recommended shift points:

Shifting Up:

From 1st to 2nd:	12 mph (20 km/h)
From 2nd to 3rd:	19 mph (30 km/h)
From 3rd to 4th:	25 mph (40 km/h)
From 4th to 5th:	31 mph (50 km/h)
From 5th to 6th:	37 mph (60 km/h)

Shifting Down:

From 6th to 5th:	28 mph (45 km/h)
From 5th to 4th:	22 mph (35 km/h)
From 4th to 3rd:	16 mph (25 km/h)

Pull the clutch lever in when speed drops below 12 mph (20 km/h), when engine roughness is evident, or when engine stalling is imminent; and shift down to 1st gear for acceleration.

Your motorcycle is equipped with disc braking systems which are hydraulically activated. Operating the brake lever applies the two front disc brakes. Depressing the brake pedal applies the rear disc brake.

As a general rule, the front braking system provides about 70 percent of total stopping power.

For full braking effectiveness, use both the pedal and lever simultaneously. Using both braking systems will stop your motorcycle faster with greater stability.

To slow or stop, apply the brake lever and brake pedal smoothly, while downshifting to match your speed.

Gradually increase braking as you feel the brakes slowing your speed. The increase in engine compression from downshifting will help slow your motorcycle.

To prevent stalling the engine, pull the clutch lever in before coming to a complete stop. For support, put your left foot down first, then your right foot when you are through using the brake pedal.

Applying the brakes too hard may cause the wheels to lock and slide, reducing control of your motorcycle. If this happens, release the brake controls, steer straight ahead until you regain control, then reapply the brakes more gently.

Braking

When possible, reduce your speed or complete braking before entering a turn. Avoid braking or closing the throttle quickly while turning. Either action may cause one or both wheels to slip and reduce your control of your motorcycle.

Your ability to brake in a turn and to brake hard in an emergency situation are important riding skills. We suggest attending a Motorcycle Safety Foundation experienced rider training course (page 42) to retain these skills.

When riding in wet or rainy conditions, or on loose surfaces, the ability to maneuver and stop will be reduced. All of your actions should be smooth under these conditions. Rapid acceleration, braking or turning may cause loss of control.

For your safety, exercise extreme caution when braking, accelerating or turning.

When descending a long, steep grade, use engine compression braking by downshifting, with intermittent use of both brakes. Continuous brake application can overheat the brakes and reduce their effectiveness.

Riding with your foot resting on the brake pedal or your hand on the brake lever may actuate the brakelight, giving a false indication to other drivers. It may also overheat the brakes, reducing effectiveness.

1. Look for a level parking area. If you can't park on a paved surface, make sure the ground surface is firm, especially under the side stand. If you must park on a hill, leave the transmission in gear and position the rear tire against the curb at a 45 degree angle.

Make sure flammable materials such as dry grass or leaves do not come in contact with the exhaust system when parking your motorcycle. Refer to *Catalytic Converter*, page 217 .

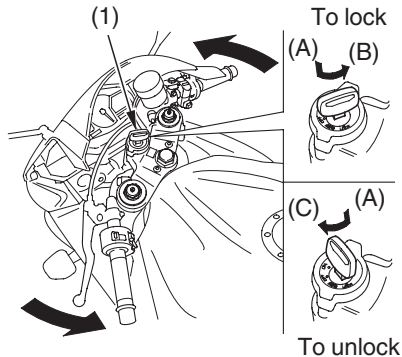
To avoid possible heat damage to your motorcycle or personal belongings, do not cover the exhaust muffler with a protective cover or any clothing within 20 minutes after shutting off the engine.

2. Use the side stand to support the motorcycle while parked.
 - To lower the side stand, use your foot to guide it down. Remember that lowering the side stand with the transmission in gear will stop the engine, even if the clutch lever is pulled in. That is a function of the side stand ignition cut-off system.
 - Check that the side stand is down all the way so that the side stand ignition cut-off system (page 51) is activated.
 - If you have to park on a soft surface, insert something solid under the side stand for support.

(cont'd)

Parking

FRONT

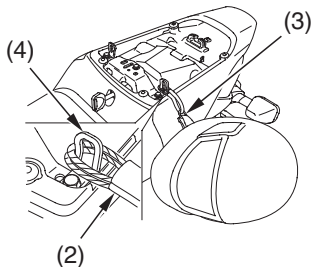


(1) ignition key

(A) push in
(B) turn to LOCK
(C) turn to OFF

3. Use the steering lock, which locks the handlebar in place. Turn the handlebar all the way to the left. Push in on the ignition key (1) and turn it to LOCK. Remove the key.
(To unlock the steering lock, insert and push down on the key and turn it to the right to the OFF position.)

LEFT REAR



(2) helmet holder wire (4) helmet holder
(3) D-ring

4. Use the helmet holder wire stored in the tool kit to secure your helmet with your motorcycle:

- Remove the rear seat (page 87).
- Route either end of the helmet holder wire (2) through the helmet's D-ring (3).

- Hook the loops of the wire onto the helmet holder (4) and install the rear seat to lock.

Remove the helmet holder wire and store it in the tool kit when it is not used.

⚠ WARNING

Riding with a helmet attached to the holder can interfere with the rear wheel or suspension and could cause a crash in which you can be seriously hurt or killed.

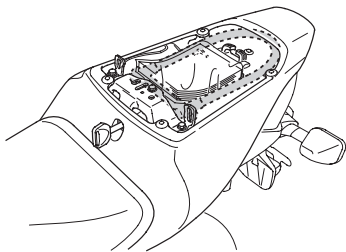
Use the helmet holder only while parked. Do not ride with a helmet secured by the holder.

Parking

Theft-Prevention Tips

- Park your motorcycle in a locked garage whenever possible. If a garage isn't available, park in a concealed area or in a well-lit area with enough pedestrian traffic to discourage a thief.
 - Always take the ignition key with you.
 - Always use the steering lock (page 60), even if you're parking for just a minute or two. A thief can easily push an unlocked motorcycle to a waiting truck.
 - In addition to the steering lock, use a good quality anti-theft device made specifically to lock a motorcycle to a secure object.
- If you decide to use an anti-theft device, select one of good quality and be sure to follow the manufacturer's instructions.
 - The rear fender has a storage compartment to store a U-shaped lock under the rear seat. Some U-shaped locks may not be stored in the compartment due to their size or design.

UNDER REAR SEAT



- Keep your owner's manual, current registration, and insurance information with your motorcycle. This will make it easier for the authorities to find you if your motorcycle is stolen and recovered.

Riding with a Passenger or Cargo

Your motorcycle is a high-performance sport model designed to carry you and one passenger. Whenever you add a passenger or cargo, you must be careful not to exceed the total load limits for this vehicle (*Load Limits*, page 47). Make sure your cargo is properly secured (*Loading Guidelines*, page 47).

Also consider adjusting the suspension (page 120) for the extra load.

Be aware that carrying a passenger or heavy cargo can affect acceleration, braking, and handling.

Before riding with a passenger, make sure your passenger is wearing the proper protective apparel (page 40). Also check that your passenger is not wearing any loose apparel that might get caught in the drive chain.

Tell your passenger to hold the seat strap or your waist, lean with you in the turns, and keep their feet on the passenger footpegs at all times, even when the motorcycle is stopped at a traffic light.

Serviceing Your Honda

To help keep your motorcycle in good shape, this section includes a Maintenance Schedule for required service, a list of periodic checks you should perform at least once a month, and step-by-step instructions for specific maintenance tasks. You'll also find important safety precautions, information on fuels and oils, and tips for keeping your Honda looking great.

For information about the exhaust emission and noise emission requirements of the U.S. Environmental Protection Agency (EPA) and the California Air Resources Board (CARB), see page 211 .

For information about replacing fuses, see page 192 .

USA only

Maintenance, replacement or repair of the emission control devices and systems may be performed by any motorcycle repair establishment or individual using parts that are “certified” to EPA standards.

Before You Service Your Honda

The Importance of Maintenance.....	68
Maintenance Safety.....	69
Important Safety Precautions.....	70
Periodic Maintenance.....	72
Maintenance Schedule	74
Maintenance Record.....	79

(cont'd)

Servicing Your Honda

Service Preparations

Maintenance Component Locations	81
Tool Kit.....	84
Owner's Manual Storage.....	85
Seat Removal.....	86
Lower Fairing Removal	88
Middle Fairing Removal	90

Service Procedures

Fluids & Filters

Fuel	91
Engine Oil & Filter.....	94
Coolant.....	104

Engine

Throttle	108
Clutch System.....	110
Spark Plugs.....	114

Chassis

Suspension.....	120
Brakes	129
Tires	135
Side Stand.....	142
Drive Chain	143

Electrical

Battery	150
---------------	-----

Appearance Care	155
-----------------------	-----

Servicing Your Honda

The following table summarizes the three types of inspections and servicing recommendations for your motorcycle. Both the pre-ride inspection and the scheduled maintenance at the recommended intervals are necessary to assure safe and dependable performance. The periodic checks provide additional confidence in your motorcycle's performance.

Type of Inspection/Service	Refer to page:	When Performed	Who Performs
Pre-ride Inspection	43	before every ride	you
Periodic Maintenance	72	monthly*	you
Maintenance Schedule	74	interval on schedule	your Honda dealer**

* more often if you ride frequently or long distances; or anytime you clean your motorcycle

** unless you have the proper tools and service data and are mechanically qualified

The Importance of Maintenance

Keeping your motorcycle well-maintained is absolutely essential to your safety. It's also a good way to protect your investment, get maximum performance, avoid breakdowns, and have more fun. A properly maintained motorcycle will also help to reduce air pollution.

Remember, proper maintenance is the owner's responsibility. Be sure to inspect your motorcycle before each ride, perform the periodic checks, and follow the Maintenance Schedule in this section.

WARNING

Improperly maintaining this motorcycle or failing to correct a problem before you ride can cause a crash in which you can be seriously hurt or killed.

Always follow the inspection and maintenance recommendations and schedules in this owner's manual.

If your motorcycle overturns or is involved in a crash, be sure your Honda dealer inspects all major parts, even if you are able to make some repairs.

This section includes instructions on how to perform some important maintenance tasks. If you have basic mechanical skills, you can perform many of these tasks with the tools provided with your motorcycle.

Other tasks that are more difficult and require special tools are best performed by professionals. Wheel removal should normally be handled only by a Honda technician or other qualified mechanic. Instructions are included in this manual only to assist in emergency service.

Some of the most important safety precautions follow. However, we cannot warn you of every conceivable hazard that can arise in performing maintenance. Only you can decide whether or not you should perform a given task.

WARNING

Failure to properly follow maintenance instructions and precautions can cause you to be seriously hurt or killed.

Always follow the procedures and precautions in this owner's manual.

Maintenance Safety

Important Safety Precautions

- Make sure the engine is off before you begin any maintenance or repairs. This will help eliminate several potential hazards:

Carbon monoxide poisoning from engine exhaust. Be sure there is adequate ventilation whenever you operate the engine.

Burns from hot motorcycle parts. Let the engine and exhaust system cool before touching.

Injury from moving parts. Do not run the engine unless instructed to do so.

- Read the instructions before you begin, and make sure you have the tools and skills required.
- To help prevent the motorcycle from falling over, park it on a firm, level surface, using the side stand or a maintenance stand to provide support.
- To reduce the possibility of a fire or explosion, be careful when working around gasoline. Use only non-flammable solvent, not gasoline, to clean parts. Keep cigarettes, sparks, and flames away from all fuel-related parts.

Remember that your Honda dealer knows your motorcycle best and is fully equipped to maintain and repair it. To ensure the best quality and reliability, use only new genuine Honda parts or their equivalents for repair and replacement. If you have the tools and skills required for additional maintenance jobs, you can purchase an official Honda Service Manual (page 222).

Periodic Maintenance

In addition to the regularly scheduled maintenance (page 74) and daily pre-ride inspection (page 43), consider performing the periodic checks on the following page at least once a month, even if you haven't ridden your motorcycle, or as often as once a week if you ride frequently or for long distances. It's a good idea to perform this maintenance any time you clean your motorcycle.

Check the odometer reading and perform any scheduled maintenance checks that are needed (page 74). Remember, more frequent checks may be needed for riding in severe conditions.

Periodic Maintenance

Tires & Wheels	<p>Check the air pressure with a gauge and add air if needed (page 135). Examine the tread for wear (page 137). Look closely for nails, embedded objects, cuts, and other types of damage (page 137). Roll your motorcycle so you can inspect the entire surface.</p> <p>Check the condition of the wheels.</p>
Fluids	<p>Check the levels of the engine oil (page 98), coolant (page 105), and brake fluid (page 131). Add the correct fluid as necessary, and investigate the cause of any low fluid level.</p>
Lights	<p>Make sure the headlight, position light, brakelight, taillight, license light and turn signals are working properly.</p>
Freeplay	<p>Check the freeplay of the clutch lever (page 110) and throttle grip (page 108).</p>
Drive Chain	<p>Check condition, adjust slack, and lubricate as needed (page 143).</p>
Fuses	<p>Make sure you have a full supply of spare fuses.</p>
Nuts & Bolts	<p>Check the major fasteners and tighten as needed.</p>

Maintenance Schedule

The required Maintenance Schedule that follows specifies how often you should have your motorcycle serviced, and what things need attention. It is essential to have your motorcycle serviced as scheduled to maintain safe, dependable performance and proper emission control.

The service intervals in this Maintenance Schedule are based on average riding conditions. Some items will need more frequent service if you ride in unusually wet or dusty areas or at full throttle. Consult your Honda dealer for recommendations applicable to your individual needs and use.

Some items in the Maintenance Schedule can be performed with basic mechanical skills and hand tools. Procedures for these items are provided in this manual. Other items involve more extensive procedures and may require special training, tools, and equipment. We recommend that you have your Honda dealer perform these tasks unless you have advanced mechanical skills and the required tools and equipment. Procedures for such items in this schedule are provided in an official Honda Service Manual available for purchase (page 222).

Maintenance Schedule

If you do not feel capable of performing a given task or need assistance, remember that your Honda dealer knows your motorcycle best and is fully equipped to maintain and repair it. If you decide to do your own maintenance, use only genuine Honda parts or their equivalents for repair or replacement to ensure the best quality and reliability.

Perform the pre-ride inspection (page 43) and owner maintenance (page 74) at each scheduled maintenance period.

Each item on the maintenance schedule requires some mechanical knowledge. Certain items (particularly those marked * and **) may require more technical information and tools. Consult your Honda dealer.

* Should be serviced by your Honda dealer, unless you have the proper tools and service data and are mechanically qualified. Refer to the official Honda Service Manual (page 222).

** In the interest of safety, we recommend these items be serviced only by your Honda dealer.

Maintenance Schedule

Summary of Maintenance Schedule Notes & Procedures:

NOTES:

1. At higher odometer readings, repeat at the frequency interval established here.
2. Service more frequently if the motorcycle is ridden in unusually wet or dusty areas.
3. California type only.
4. Replace every 2 years, or at indicated odometer interval, whichever comes first. Replacement requires mechanical skill.

Maintenance Procedures:

I: inspect and clean, adjust, lubricate,
or replace, if necessary

C: clean

A: adjust

L: lubricate

R: replace

Maintenance Schedule

ITEM		FREQUENCY	NOTE	ODOMETER READING (Note 1)								Refer to page
				× 1,000 mi	0.6	4	8	12	16	20	24	
				× 1,000 km	1.0	6.4	12.8	19.2	25.6	32.0	38.4	
EMISSION RELATED ITEMS	*	FUEL LINE					I		I		I	—
	*	THROTTLE OPERATION					I		I		I	108
	*	AIR CLEANER	2					I			I	—
	*	SPARK PLUGS			EVERY 16,000 mi (25,600 km) I, EVERY 32,000 mi (51,200 km) R							114
	*	VALVE CLEARANCE								I		—
		ENGINE OIL			INITIAL= 600 mi (1,000 km) or 1 month: R REGULAR= EVERY 8,000 mi (12,800 km) or 12 months: R							94
		ENGINE OIL FILTER			R		R		R		R	99
		RADIATOR COOLANT	4				I		I		R	104
	*	COOLING SYSTEM					I		I		I	—
	*	SECONDARY AIR SUPPLY SYSTEM					I		I		I	—
	*	EVAPORATIVE EMISSION CONTROL SYSTEM	3					I			I	—
	**	EXHAUST GAS CONTROL VALVE CABLE			EVERY 16,000 mi (25,600 km) I							—

* Should be serviced by your Honda dealer, unless you have the proper tools and service data and are mechanically qualified. Refer to the official Honda Service Manual (page 222).

**In the interest of safety, we recommend these items be serviced only by your Honda dealer.

Maintenance Schedule

ITEM		FREQUENCY	NOTE	ODOMETER READING (Note 1)								Refer to page	
				× 1,000 mi	0.6	4	8	12	16	20	24		
				× 1,000 km	1.0	6.4	12.8	19.2	25.6	32.0	38.4		
NON-EMISSION RELATED ITEMS		DRIVE CHAIN			EVERY 500 mi (800 km) I, L								143
		BRAKE FLUID	4			I	I	R	I	I	R	130	
		BRAKE PAD WEAR				I	I	I	I	I	I	133	
		BRAKE SYSTEM			I		I		I		I	129	
	*	BRAKELIGHT SWITCH					I		I		I	—	
	*	HEADLIGHT AIM					I		I		I	—	
		CLUTCH SYSTEM			I	I	I	I	I	I	I	110	
		SIDE STAND					I		I		I	142	
	*	SUSPENSION					I		I		I	—	
	*	NUTS, BOLTS, FASTENERS			I		I		I		I	—	
	**	WHEELS/TIRES					I		I		I	—	
	**	STEERING HEAD BEARINGS			I		I		I		I	—	

* Should be serviced by your Honda dealer, unless you have the proper tools and service data and are mechanically qualified. Refer to the official Honda Service Manual (page 222).

**In the interest of safety, we recommend these items be serviced only by your Honda dealer.

Maintenance Record

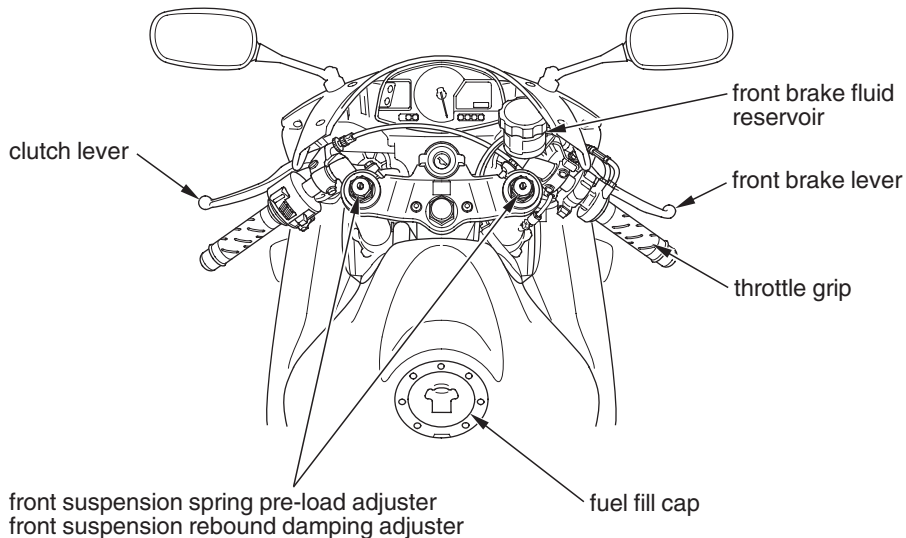
Keeping an accurate maintenance record will help ensure that your motorcycle is properly maintained. Retain detailed receipts to verify the maintenance was performed. If the motorcycle is sold, these receipts should be transferred with the motorcycle to the new owner. Make sure whoever performs the maintenance completes this record. All scheduled maintenance, including the 600 mile (1,000 km) initial maintenance, is considered a normal owner operating cost and will be charged for by your dealer. Use the space under Notes to record anything you want to remind yourself about or mention to your dealer.

Miles (km)	Odometer	Date	Performed By:	Notes
600 (1,000)				
4,000 (6,400)				
8,000 (12,800)				
12,000 (19,200)				
16,000 (25,600)				
20,000 (32,000)				

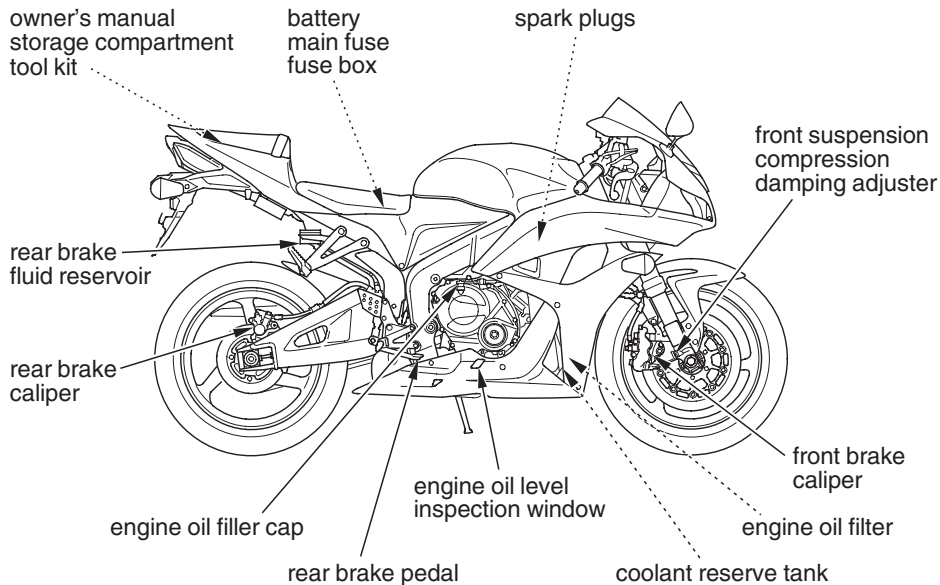
Maintenance Record

Miles (km)	Odometer	Date	Performed By:	Notes
24,000 (38,400)				
28,000 (44,800)				
32,000 (51,200)				
36,000 (57,600)				
40,000 (64,000)				
44,000 (70,400)				
48,000 (76,800)				
52,000 (83,200)				
56,000 (89,600)				
60,000 (96,000)				
64,000 (102,400)				
68,000 (108,800)				

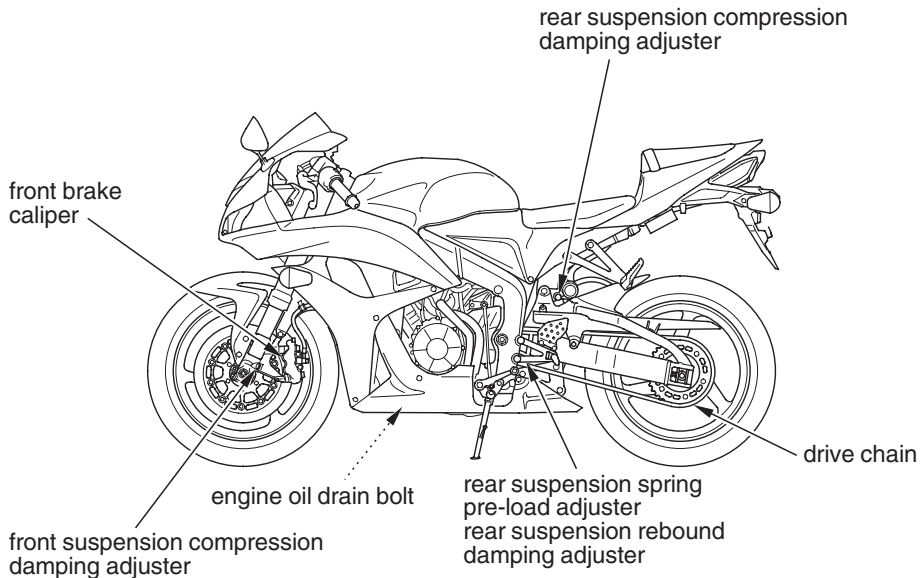
Maintenance Component Locations



Maintenance Component Locations



Maintenance Component Locations

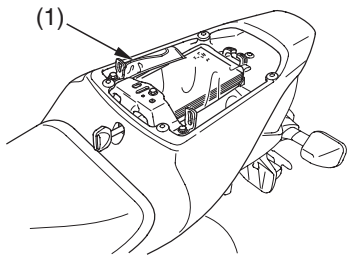


Tool Kit

The tool kit (1) is stored under the rear seat (page 87).

An optional, larger tool kit may be available. Check with your Honda dealer's parts department.

UNDER REAR SEAT



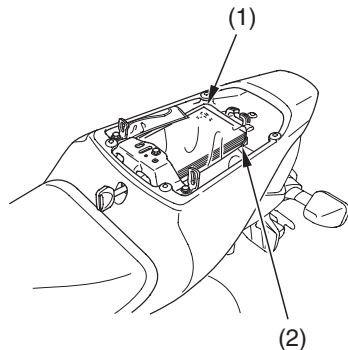
(1) tool kit

Owner's Manual Storage

Your motorcycle provides storage for the owner's manual so you'll have it with you for easy reference. Store your owner's manual (and other documents) in the plastic storage bag (1) in the owner's manual storage compartment (2) under the rear seat (page 87).

Be careful not to flood this area when washing your motorcycle.

UNDER REAR SEAT



(1) plastic storage bag

(2) owner's manual storage compartment

Seat Removal

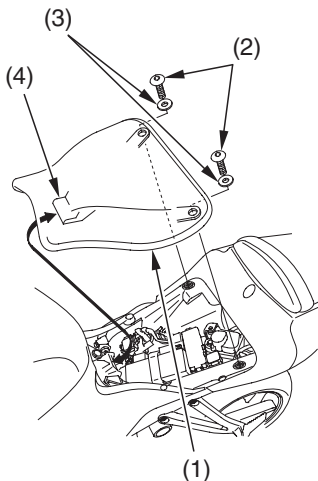
Refer to *Safety Precautions* on page 70 .

The front seat must be removed for battery or fuse maintenance.

Front Seat Removal

To remove the front seat (1), pull the rear corners of the seat back, remove the mounting bolts (2) and washers (3), and then pull the seat up and back.

To install the front seat, insert the tab (4) into the recess under the frame and tighten the mounting bolts securely.



(1) front seat

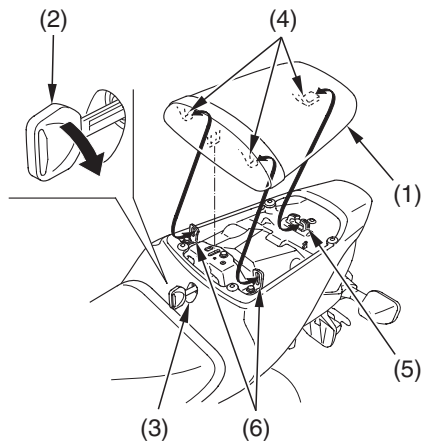
(2) mounting bolts

(3) washers

(4) tab

Seat Removal

Rear Seat Removal



- (1) rear seat
- (2) ignition key
- (3) seat lock

- (4) prongs
- (5) seat hook
- (6) guide hooks

To remove the rear seat (1), insert the ignition key (2) into the seat lock (3). Turn it clockwise, then pull the rear seat forward and up.

To install the rear seat, insert the prongs (4) into the seat hook (5) and guide hooks (6), and then push down on the front of the rear seat.

Lower Fairing Removal (Except California)

Refer to *Safety Precautions* on page 70.

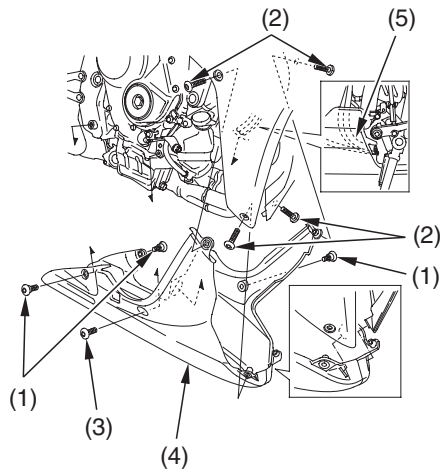
The lower fairing must be removed to service the coolant reserve tank or to replace the oil filter.

Removal

1. Remove the A bolts (1), B bolts (2) and C bolt (3).
2. Remove the lower fairing (4), then pull out the tubes (5).

Installation

- Installation can be done in the reverse order of removal.
- Through the tubes properly in position.



(1) A bolts
(2) B bolts
(3) C bolt

(4) lower fairing
(5) tubes

Lower Fairing Removal (California Only)

Refer to *Safety Precautions* on page 70 .

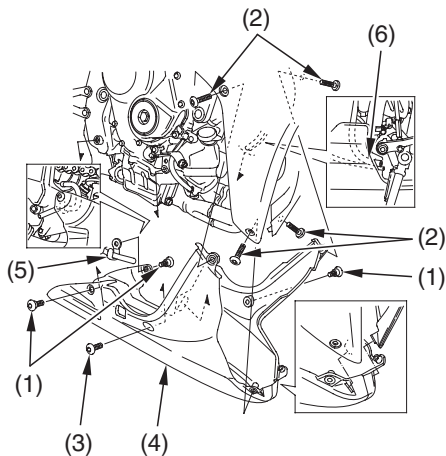
The lower fairing must be removed to service the coolant reserve tank or to replace the oil filter.

Removal

1. Remove the A bolts (1), B bolts (2) and C bolt (3).
2. Remove the lower fairing (4) and clamp (5), then pull out the tubes (6).

Installation

- Installation can be done in the reverse order of removal.
- Through the tubes properly in position.



- | | |
|-------------|-------------------|
| (1) A bolts | (4) lower fairing |
| (2) B bolts | (5) clamp |
| (3) C bolt | (6) tubes |

Middle Fairing Removal

Refer to *Safety Precautions* on page 70 .

The middle fairing must be removed to access the spark plugs.
The right and left middle fairings can be removed in the same manner.

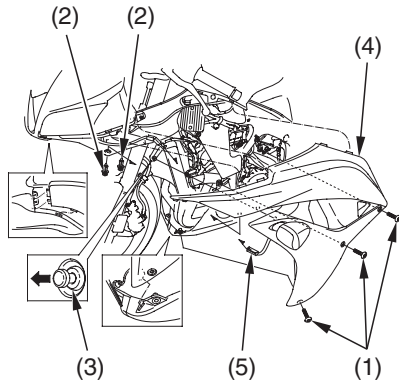
Removal

1. Remove the bolts (1).
2. Remove the clips A (2).
3. Pull the clip B (3) out.
4. Remove the middle fairing (4) and disconnect the front turn signal connector (5).
 - Be careful not to apply weight to the middle fairing.
 - Carefully release the each tabs.

Installation

- Installation can be done in the reverse order of removal.

LEFT SIDE (right side similar)



- | | |
|-------------|---------------------------------|
| (1) bolts | (4) middle fairing |
| (2) clips A | (5) front turn signal connector |
| (3) clip B | |

Refer to *Safety Precautions* on page 70 .

Fuel Recommendation

type	premium unleaded
pump octane number	91 (or higher)

We recommend that you use premium unleaded fuel because it produces fewer engine deposits and extends the life of exhaust system components.

The use of leaded gas will damage the catalytic converter.

Your engine is designed to use any premium gasoline that has a pump octane number of 91 or higher. Gasoline pumps at service stations normally display the pump octane number. For information on the use of oxygenated fuels, see page 218.

Use of lower octane gasoline can cause persistent “pinging” or “spark knock” (a loud rapping noise) which, if severe, can lead to engine damage. Light pinging experienced while operating under a heavy load, such as climbing a hill, is no cause for concern.

If pinging or spark knock occurs at a steady engine speed under normal load, change brands of gasoline. If pinging or spark knock persists, consult your Honda dealer.

Fuel

Never use stale or contaminated gasoline or an oil/gasoline mixture. Avoid getting dirt, dust, or water in the fuel tank.

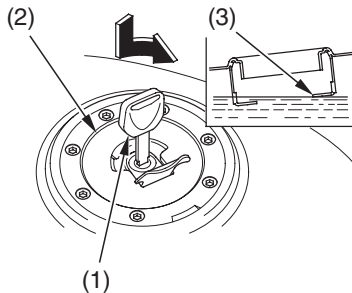
Fuel Capacity

Fuel tank capacity:
4.76 US gal (18.0 ℓ)

The tank should be refilled as soon as possible when the E segment in the fuel gauge flashes.

Refueling Procedure

Refer to *Safety Precautions* on page 70 .



- (1) ignition key (3) filler neck
(2) fuel fill cap

1. Insert the ignition key (1) in the fuel fill cap (2) and turn it clockwise.

2. Open the fuel fill cap.
3. Add fuel until the level reaches the bottom of the filler neck (3). Avoid overfilling the tank. There should be no fuel in the filler neck.

WARNING

Gasoline is highly flammable and explosive. You can be burned or seriously injured when handling fuel.

- Stop the engine and keep heat, sparks and flame away.
- Handle fuel only outdoors.
- Wipe up spills immediately.

4. After refueling, push the fuel fill cap closed until it snaps and locks.
5. Remove the ignition key from the cap.

Engine Oil & Filter

Engine oil quality is a major factor that affects both the performance and the service life of the engine.

Using the proper oil (page 95) and filter, and regularly checking, adding, and changing oil will help extend your engine's life. Even the best oil wears out. Changing oil helps get rid of dirt and deposits in the engine. Operating the engine with old or dirty oil can damage your engine. Running the engine with insufficient oil can cause serious damage to the engine and transmission.

Change the engine oil as specified in the maintenance schedule on page 77 .

When running in very dusty conditions, oil changes should be performed more frequently than specified in the maintenance schedule.

Oil Recommendation

API classification	SG or higher except oils labeled as energy conserving on the circular API service label
viscosity (weight)	SAE 10W-30
JASO T 903 standard	MA

suggested oil*

Pro Honda GN4 4-stroke oil (USA & Canada), or Honda 4-stroke oil (Canada only), or an equivalent motorcycle oil.

- * Suggested oils are equal in performance to SJ oils that are not labeled as energy conserving on the circular API service label.

Engine Oil & Filter

- Your motorcycle does not need oil additives. Use the recommended oil.
- Do not use oils with graphite or molybdenum additives. They may adversely affect clutch operation.
- Do not use API SH or higher oils displaying a circular API “energy conserving” service label on the container. They may affect lubrication and clutch performance.



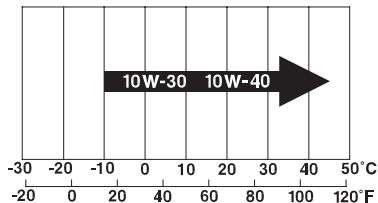
NOT RECOMMENDED



OK

- Do not use non-detergent, vegetable, or castor based racing oils.

Other viscosities shown in the following chart may be used when the average temperature in your riding area is within the indicated range.

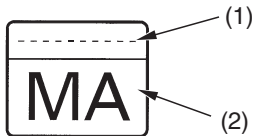


JASO T 903 standard

The JASO T 903 standard is an index for engine oils for 4-stroke motorcycle engines.

There are two classes: MA and MB.

Oil conforming to the standard is labeled on the oil container. For example, the following label shows the MA classification.



PRODUCT MEETING JASO T 903
COMPANY GUARANTEEING THIS MA PERFORMANCE:

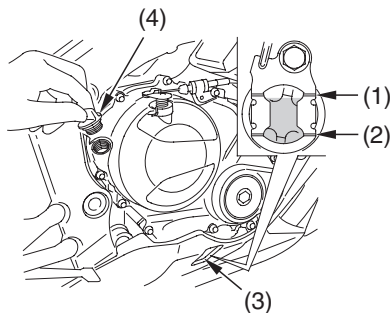
- (1) code number of the sales company of the oil
- (2) oil classification

Engine Oil & Filter

Checking & Adding Oil

Refer to *Safety Precautions* on page 70 .

RIGHT SIDE



- (1) upper level mark (4) oil filler cap
(2) lower level mark
(3) inspection window

1. Park your motorcycle on its side stand on a firm, level surface.
2. Start the engine and let it idle for 3–5 minutes. Make sure the low oil pressure indicator goes off. If the indicator remains on, stop the engine immediately.
3. Stop the engine and wait 2–3 minutes.
4. Hold the motorcycle in an upright position.

5. Check that the oil level is between the upper (1) and lower (2) level marks in the inspection window (3).
 - If the oil is at or near the upper level mark — you do not have to add oil.
 - If the oil is below or near the lower level mark — remove the oil filler cap (4) and add the recommended oil until it reaches the upper level mark. (Do not overfill.)
Reinstall the oil filler cap.
6. Check for oil leaks.

Changing Engine Oil & Filter

Refer to *Safety Precautions* on page 70 .

Your motorcycle's oil filter has very specific performance requirements. Use a new genuine Honda oil filter or a filter of equal quality specified for your model.

NOTICE

Using the wrong oil filter may result in leaks or premature engine damage.

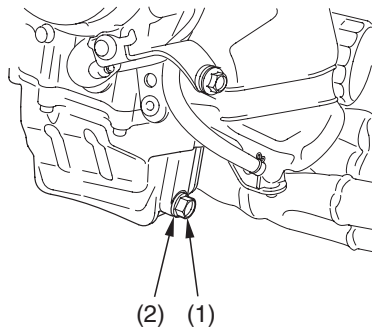
Engine Oil & Filter

This procedure requires mechanical skill and professional tools such as a torque wrench and oil filter wrench, as well as a means for disposing of the drained fluid (page 168). If you do not have the skills or the tools, see your Honda dealer.

Drain the Engine Oil:

1. Park the motorcycle on its side stand on a firm, level surface.
2. If the engine is cold, start it and let it idle for 3–5 minutes. Turn the engine off. Wait 2–3 minutes for the oil to settle.
3. Place a drain pan under the crankcase.
4. To drain the oil, remove the oil filler cap, engine oil drain bolt (1), and sealing washer (2).

FRONT, UNDER ENGINE



- (1) engine oil drain bolt
(2) sealing washer

5. Remove the lower fairing (page 88).

Engine Oil & Filter

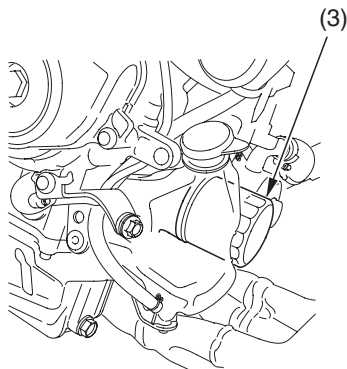
Install a New Oil Filter:

6. Remove the oil filter (3) with a filter wrench and let the remaining oil drain out. Discard the oil filter in an approved manner (page 168).
7. Pour the drained oil into a suitable container and dispose of it in an approved manner (page 168).

NOTICE

Improper disposal of drained fluids is harmful to the environment.

RIGHT SIDE

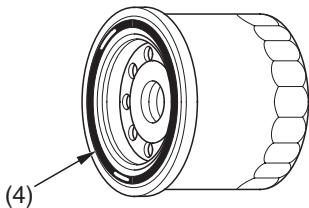


(3) oil filter

(cont'd)

Engine Oil & Filter

8. Apply a thin coat of engine oil to the rubber seal (4) of a new oil filter.



(4) oil filter rubber seal

9. Install the new oil filter and tighten it by hand.
10. Using an oil filter wrench attachment and a torque wrench, tighten the new oil filter to the specified torque:
19 lbf·ft (26 N·m , 2.7 kgf·m)

11. Check the condition of the sealing washer on the engine oil drain bolt. Replace the washer every other time the oil is changed.
Install the engine oil drain bolt and tighten it to the specified torque:
22 lbf·ft (30 N·m , 3.1 kgf·m)

Add Engine Oil:

12. Fill the crankcase with the recommended oil (page 95), approximately:
3.0 US qt (2.8 ℓ)
13. Install the oil filler cap.
14. Install the lower fairing.

15. Start the engine and let it idle for 3–5 minutes.
16. Stop the engine and wait 2–3 minutes.
17. Hold the motorcycle upright and check that the oil level is at the upper level mark in the inspection window (page 98).
18. Check that there are no oil leaks.

If a torque wrench is not used for installation, see your Honda dealer as soon as possible to verify proper assembly.

Coolant

Your motorcycle's liquid cooling system dissipates engine heat through the coolant jacket that surrounds the cylinder and cylinder head.

Maintaining the coolant will allow the cooling system to work properly and prevent freezing, overheating, and corrosion.

Coolant Recommendation

Use Pro Honda HP coolant or an equivalent high quality ethylene glycol antifreeze containing corrosion protection inhibitors specifically recommended for use in aluminum engines. Check the antifreeze container label.

Use only distilled water as a part of the coolant solution. Water that is high in mineral content or salt may be harmful to the aluminum engine.

NOTICE

Using coolant with silicate inhibitors may cause premature wear of water pump seals or blockage of radiator passages. Using tap water may cause engine damage.

The factory provides a 50/50 solution of antifreeze and water in this motorcycle. This coolant solution is recommended for most operating temperatures and provides good corrosion protection.

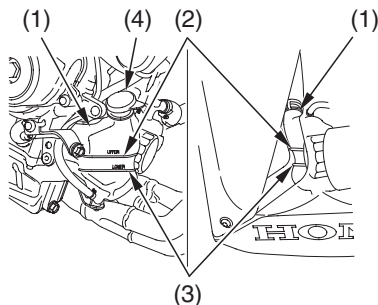
Decreasing the concentration of antifreeze to less than 40% will not provide proper corrosion protection.

Increasing the concentration of antifreeze is not recommended because it decreases cooling system performance. Higher concentrations of antifreeze (up to 60%) should only be used to provide additional protection against freezing. Check the cooling system frequently during freezing weather.

Checking & Adding Coolant

Refer to *Safety Precautions* on page 70 .

RIGHT SIDE



- (1) reserve tank
- (2) UPPER level mark
- (3) LOWER level mark
- (4) reserve tank cap

Coolant

1. With the engine at normal operating temperature, check the coolant level in the reserve tank (1). It should be between the UPPER (2) and LOWER (3) level marks.
If the reserve tank is empty, or if coolant loss is excessive, check for leaks and see your Honda dealer for repair.
2. Remove the lower fairing (page 88).
3. Remove the reserve tank cap (4).
Always add coolant to the reserve tank.
Do not attempt to add coolant by removing the radiator cap.
4. Add coolant to the reserve tank as required to bring the coolant level to the UPPER level mark.
5. Install the reserve tank cap.
6. Install the lower fairing.

Coolant Replacement

Refer to *Safety Precautions* on page 70 .

Coolant should be replaced by your Honda dealer, unless you have the proper tools and service data and are mechanically qualified. Refer to the official Honda Service Manual (page 222).

WARNING

Removing the radiator cap while the engine is hot can cause the coolant to spray out, seriously scalding you.

Always let the engine and radiator cool down before removing the radiator cap.

To properly dispose of drained coolant, refer to *You & the Environment*, page 168 .

NOTICE

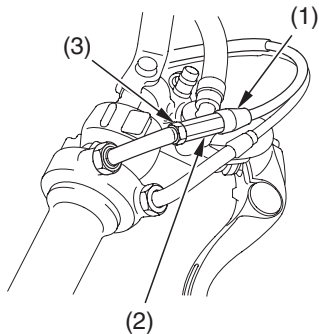
Improper disposal of drained fluids is harmful to the environment.

Throttle

Throttle Freeplay

Refer to *Safety Precautions* on page 70.

RIGHT HANDLEBAR



- (1) throttle cable boot
- (2) adjuster
- (3) lock nut

Inspection

Check freeplay at the throttle grip flange.

Freeplay:

$1/16 - 3/16$ in (2–4 mm)

If necessary, adjust to the specified range.

Adjustment

1. Slide the throttle cable boot (1) off the adjuster (2).
2. Loosen the lock nut (3).
3. Turn the adjuster.
4. After adjustment, check for smooth rotation of the throttle grip from fully closed to fully open in all steering positions.
5. Tighten the lock nut and return the throttle cable boot securely over the adjuster.

Throttle Inspection

Refer to *Safety Precautions* on page 70 .

1. Check that the throttle assembly is positioned properly and the securing bolts are tight.
2. Check for smooth rotation of the throttle from fully open to fully closed in all steering positions. If there is a problem, see your Honda dealer.

Clutch System

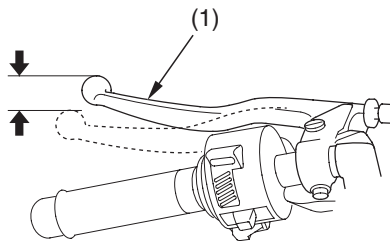
Your motorcycle's manually-activated, wet, multiplate clutch is part of the primary drive system. Proper freeplay adjustment allows a smooth, gradual engagement when shifting gears.

Improper freeplay adjustment can cause premature clutch wear.

Clutch Freeplay

Refer to *Safety Precautions* on page 70 .

LEFT HANDLEBAR



(1) clutch lever

Clutch System

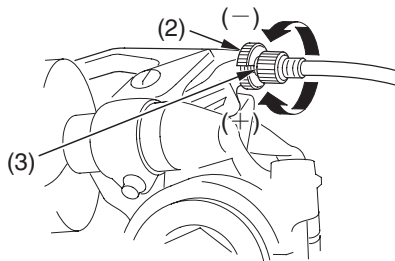
Inspection

1. Check freeplay:
3/8 – 13/16 in (10 – 20 mm)
If necessary, adjust to the specified range.

Upper Adjustment

Attempt adjustment with the upper clutch cable adjuster first.

LEFT HANDLEBAR



- (2) upper lock nut
- (3) upper clutch cable adjuster
- (+) increase freeplay
- (-) decrease freeplay

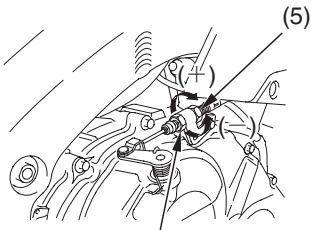
1. Loosen the upper lock nut (2).
2. Turn the upper clutch cable adjuster (3) to obtain the specified freeplay.
3. Tighten the upper lock nut and check the freeplay again.

Clutch System

Lower Adjustment

If the upper clutch cable adjuster is threaded out near its limit — or the correct freeplay cannot be obtained — attempt adjustment with the lower clutch cable adjuster.

RIGHT SIDE



(4) lower lock nut

(5) lower adjusting nut

(+) increase freeplay

(-) decrease freeplay

1. Loosen the upper lock nut (2) and turn the upper clutch cable adjuster (3) all the way in (to provide maximum freeplay). Tighten the upper lock nut.
2. Loosen the lower lock nut (4).
3. Turn the lower adjusting nut (5) to obtain the specified freeplay.
4. Tighten the lower lock nut and check the adjustment.

5. Start the engine, pull the clutch lever in, and shift into gear. Make sure the engine does not stall and the motorcycle does not creep. Gradually release the clutch lever and open the throttle. Your motorcycle should move smoothly and accelerate gradually.

If you cannot get proper adjustment, or the clutch does not work properly, the cable or clutch friction discs may be worn. See your Honda dealer or refer to the official Honda Service Manual (page 222).

Other Inspections & Lubrication

- Check that the clutch lever assembly is positioned properly and the securing bolts are tight.
- Check the clutch cable for kinks or signs of wear. If necessary, have it replaced.
- Lubricate the clutch cable with a commercially-available cable lubricant to prevent premature wear and corrosion.

Spark Plugs

Spark Plug Recommendation

standard spark plug	IMR9C-9HES (NGK) or VUH27D (DENSO)
---------------------	------------------------------------

Use only the recommended type of spark plugs in the recommended heat range.

NOTICE

Using spark plugs with an improper heat range can cause engine damage.

This motorcycle uses spark plugs that have an iridium coated center electrode.

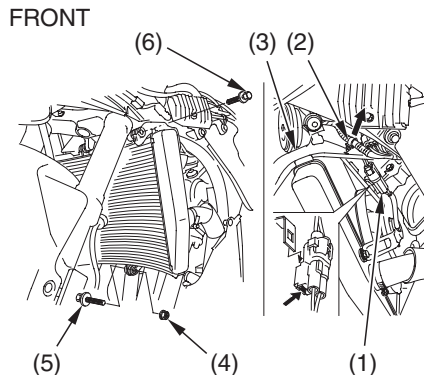
Be sure to observe the following when servicing the spark plugs.

- Do not clean the spark plugs. If an electrode is contaminated with accumulated objects or dirt, replace the spark plug with a new one.
- To check the spark plug gap, use only a “wire-type feeler gauge.” To prevent damaging the iridium coating of the center electrode, never use a “leaf-type feeler gauge.”
- Do not adjust the spark plug gap. If the gap is out of specification, replace the spark plug with a new one.

Spark Plug Inspection & Replacement

Refer to *Safety Precautions* on page 70 .

1. Remove the right and left middle fairing (page 90).
2. Disconnect the radiator fan connector (1).
3. Release the wire harness clip (2) from the radiator heat guard (3).
4. Remove the radiator lower mount nut (4) and radiator lower mount bolt (5).
5. Remove the radiator upper mount bolt (6).



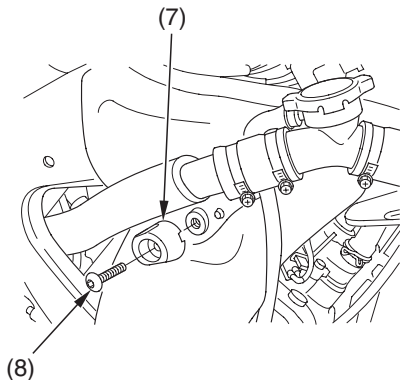
- (1) radiator fan connector
(2) wire harness clip
(3) radiator heat guard
(4) radiator lower mount nut
(5) radiator lower mount bolt
(6) radiator upper mount bolt

(cont'd)

Spark Plugs

6. Remove the water pipe guard (7) by removing the bolt (8).

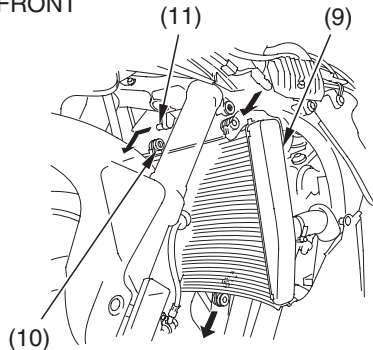
RIGHT FRONT



- (7) water pipe guard
(8) bolt

7. Move the radiator (9) out of the way and remove the grommet (10) from the hook (11).
8. Pull the radiator toward the front.

FRONT

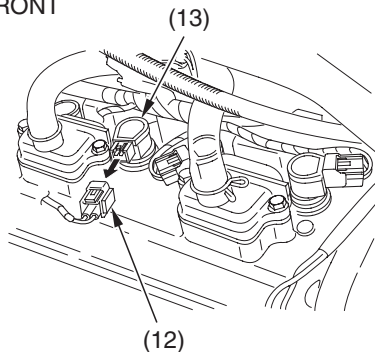


- (9) radiator
(10) grommet
(11) hook

Spark Plugs

9. Disconnect the ignition coil connectors (12).
10. Disconnect the ignition coils (13) from the spark plugs.

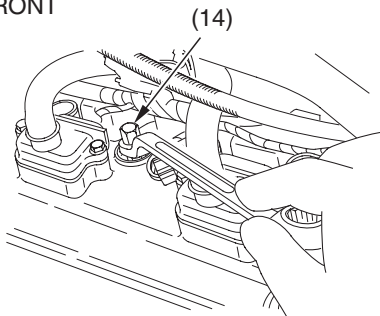
FRONT



- (12) ignition coil connectors
(13) ignition coils

11. Clean any dirt from around the spark plug bases.
12. Using a spark plug wrench (14), remove the spark plugs.

FRONT

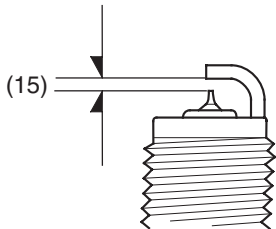


- (14) spark plug wrench

(cont'd)

Spark Plugs

13. Inspect the electrodes and center porcelain for deposits, corrosion, or carbon fouling. If the corrosion or deposits are heavy, replace the plug.
14. Make sure that a 1.0 mm wire-type feeler gauge cannot be inserted between the spark plug gap (15). If the gauge fits in the gap, replace the plug with a new one.



(15) spark plug gap

15. Make sure the plug washer is in good condition.
16. With the plug washers attached, thread the spark plugs in by hand to prevent cross-threading.
17. Tighten each spark plug:
 - If the old plug is good:
 - 1/8 turn after it seats.
 - If installing a new plug, tighten it twice to prevent loosening:
 - a) First, tighten the plug:
 - NGK: 1/2 turn after it seats.
 - DENSO: 1 turn after it seats.
 - b) Then loosen the plug.
 - c) Next, tighten the plug again:
 - 1/8 turn after it seats.

NOTICE

Improperly tightened spark plugs can damage the engine. If a plug is too loose, a piston may be damaged. If a plug is too tight, the threads may be damaged.

18. Reinstall the ignition coils.
19. Connect the ignition coil connectors to the ignition coils as before removal.
20. Install the remaining parts in the reverse order of removal.

Suspension

Your front and rear suspension systems use springs, hydraulic damping devices, and linkages (rear only) that suspend your weight and most of the weight of your motorcycle.

The spring pre-loads for your front and rear suspension systems adjust the amount of force required to begin compression of the spring.

The oil damper systems hydraulically control the natural compression and rebound of the suspension springs so that traction and comfort are maintained as the wheels ride over road surfaces.

Consider adjusting your suspension whenever you change your normal load, by adding or subtracting a passenger, cargo, or accessories, or when the road or riding conditions change.

The way you ride your motorcycle and the type of ride you want to experience can also influence your suspension needs.

You may adjust the spring pre-load and the rebound and compression damping of both suspension systems.

Lower spring pre-load and softer damping provide a softer ride and are usually preferred for light loads and smooth roads. Higher spring pre-load and firmer damping provide a firmer ride and are recommended for heavy loads, rough road conditions, and faster, more challenging riding.

Front Suspension Adjustment

The front suspension can be adjusted for rider (and passenger) weight and riding conditions by changing the spring pre-load and rebound and compression damping.

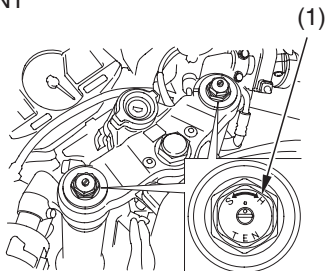
To adjust, use an appropriate tool or see your Honda dealer.

Suspension

Front Suspension Spring Pre-load

Refer to *Safety Precautions* on page 70 .

FRONT



(1) spring pre-load adjuster

Adjust the spring pre-load by turning the spring pre-load adjuster (1) with a 19 mm wrench.

To adjust to the standard position:

1. Turn the spring pre-load adjuster counterclockwise until it will no longer turn (lightly seats). This is the full soft setting.
2. Turn the adjuster clockwise 5 turns. This is the standard position.
3. Make sure that both fork legs are adjusted to the same position.

To Reduce Spring Pre-load (SOFT):

For a light load and smooth road conditions, turn the adjuster counterclockwise toward SOFT.

To Increase Spring Pre-load (HARD):

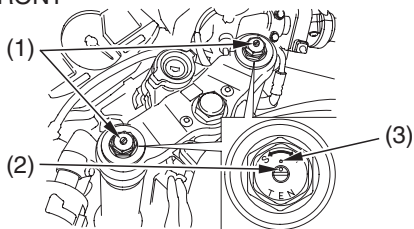
For a firmer ride and rough road conditions, turn the adjuster clockwise toward HARD.

Front Suspension Damping

Refer to *Safety Precautions* on page 70 .

Rebound Damping

FRONT



(1) damping adjuster (3) reference punch
(2) punch mark mark

To adjust to the standard position:

1. Turn the damping adjuster (1) clockwise until it will no longer turn

(lightly seats). This is the full hard setting.

2. Turn the adjuster counterclockwise approximately 2 1/2 turns so that the punch mark (2) on the adjuster aligns with the reference punch mark (3). This is the standard position.
3. Make sure that both fork legs are adjusted to the same position.

To Reduce Rebound Damping (SOFT):

For a light load and smooth road conditions, turn the adjuster counterclockwise toward SOFT (S).

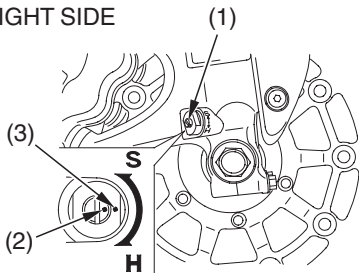
To Increase Rebound Damping (HARD):

For a firmer ride and rough road conditions, turn the adjuster clockwise toward HARD (H).

Suspension

Compression Damping

RIGHT SIDE



- (1) damping adjuster
- (2) punch mark
- (3) reference punch mark

To adjust to the standard position:

1. Turn the damping adjuster (1) clockwise until it will no longer turn (lightly seats). This is the full hard setting.

2. Turn the adjuster counterclockwise approximately 2 turns so that the punch mark (2) on the adjuster aligns with the reference punch mark (3). This is the standard position.
3. Make sure that both fork legs are adjusted to the same position.

To Reduce Compression Damping (SOFT):

For a light load and smooth road conditions, turn the adjuster counterclockwise toward SOFT.

To Increase Compression Damping (HARD):

For a firmer ride and rough road conditions, turn the adjuster clockwise toward HARD.

Rear Suspension Adjustment

The rear suspension can be adjusted for rider (and passenger) weight and riding conditions by changing the spring pre-load and rebound and compression damping.

To adjust, use an appropriate pin spanner or see your Honda dealer.

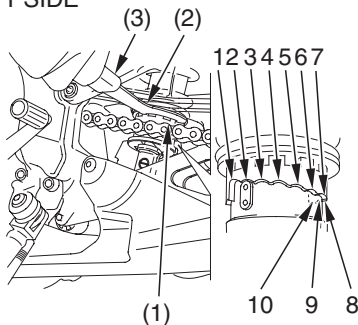
The rear shock absorber includes a damper unit that contains high pressure nitrogen gas. Do not attempt to disassemble, service, or dispose of the damper; see your Honda dealer. The instructions found in this owner's manual are limited to adjustments of the shock assembly only.

Suspension

Rear Suspension Spring Pre-load

Refer to *Safety Precautions* on page 70 .

LEFT SIDE



- (1) spring pre-load adjuster
- (2) pin spanner
- (3) extension bar

The spring pre-load adjuster (1) has 10 positions for different load or riding conditions.

Adjust the spring pre-load by turning the spring pre-load adjuster with a pin spanner (2) and extension bar (3).

Position 1: for a light load and smooth road conditions.

Position 2: standard position.

Positions 3 to 10: for when the motorcycle is more heavily loaded. (Also increase spring pre-load for stiffer rear suspension.)

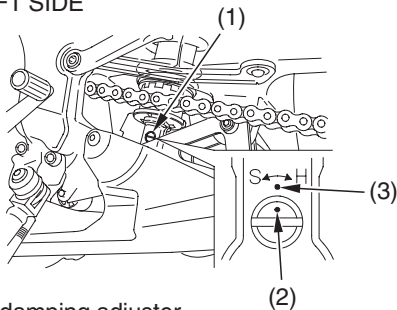
Always adjust the shock absorber position in sequence (1-2-3-4-5-6-7-8-9-10 or 10-9-8-7-6-5-4-3-2-1). Attempting to adjust directly from 1 to 10 or 10 to 1 may damage the shock absorber.

Rear Suspension Damping

Refer to *Safety Precautions* on page 70 .

Rebound Damping

LEFT SIDE



- (1) damping adjuster
- (2) punch mark
- (3) reference punch mark

To adjust to the standard position:

1. Turn the damping adjuster (1) clockwise until it will no longer turn (lightly seats). This is the full hard setting.
2. Turn the adjuster counterclockwise approximately 2 1/2 turns so that the punch mark (2) on the adjuster aligns with the reference punch mark (3). This is the standard position.

To Reduce Rebound Damping (SOFT):

For a light load and smooth road conditions, turn the adjuster counterclockwise toward SOFT (S).

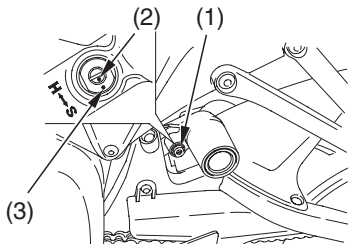
To Increase Rebound Damping (HARD):

For a firmer ride and rough road conditions, turn the adjuster clockwise toward HARD (H).

Suspension

Compression Damping

LEFT SIDE



- (1) damping adjuster
- (2) punch mark
- (3) reference punch mark

To adjust to the standard position:

1. Turn the damping adjuster (1) clockwise until it will no longer turn (lightly seats). This is the full hard setting.

2. Turn the adjuster counterclockwise 22 clicks so that the punch mark (2) on the adjuster aligns with the reference punch mark (3). This is the standard position.

To Reduce Compression Damping (SOFT):

For a light load and smooth road conditions, turn the adjuster counterclockwise toward SOFT.

To Increase Compression Damping (HARD):

For a firmer ride and rough road conditions, turn the adjuster clockwise toward HARD.

The hydraulic braking systems on your motorcycle dissipate the heat generated by the friction of the brake pads on the brake discs as the wheels are slowed.

As the brake pads wear, the brake fluid level will drop. A leak in the system will also cause the level to drop.

Frequently inspect the system to ensure there are no fluid leaks. Periodically inspect the brake fluid level and the brake pads for wear.

If the brake lever or brake pedal freeplay does not feel within the normal range while riding, check the brake pads for wear (page 133). Worn pads should be replaced. If the pads are not worn beyond the recommended limit, there is probably

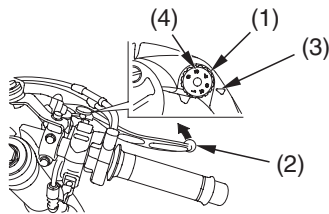
air in the brake system. See your Honda dealer to have the air bled from the system.

Front Brake Lever Adjustment

Refer to *Safety Precautions* on page 70 .

The distance between the tip of the brake lever and the grip may be adjusted.

RIGHT HANDLEBAR



(1) adjuster dial
(2) brake lever

(3) index mark
(4) numbers

Brakes

1. Turn the adjuster dial (1) while pushing the brake lever (2) forward.
2. Align the index mark (3) on the brake lever with the numbers (4) on the adjuster dial.
3. Apply the brake, release it, then spin the wheel and check that it rotates freely. Repeat this procedure several times.

Brake Fluid Recommendation

brake fluid	Honda DOT 4 Brake Fluid
-------------	-------------------------

The recommended brake fluid is Honda DOT 4 Brake Fluid, or any brake fluid of equal quality and performance. Use fresh brake fluid from a sealed container. Be sure to read the label before opening the sealed container. An opened container may be contaminated or may have absorbed moisture from the air.

Fluid Level Inspection

Refer to *Safety Precautions* on page 70 .

If your inspection indicates a low fluid level, have your Honda dealer add the recommended brake fluid.

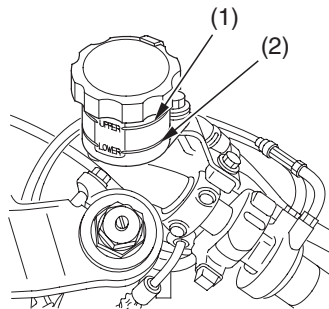
Do not add or replace brake fluid, except in an emergency. If you do add fluid, have your Honda dealer check the system as soon as possible.

NOTICE

Brake fluid can damage plastic and painted surfaces. Handle with care.

Wipe up spills immediately. Avoid contact with skin or eyes. In case of contact, wash thoroughly and call a doctor immediately if it contacts your eyes.

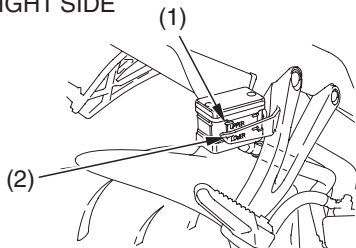
RIGHT HANDLEBAR



- (1) UPPER level mark
- (2) LOWER level mark

Brakes

RIGHT SIDE



(1) UPPER level mark

(2) LOWER level mark

1. Place your motorcycle in an upright position on a firm, level surface.
2. Check the fluid level. It should be between the UPPER (1) and LOWER (2) level marks. If the level is at or below the LOWER level mark, check the brake pads for wear (page 133).

Worn pads should be replaced. If the pads are not worn beyond the recommended limit, have your brake system inspected for leaks.

Other Inspections

- Make sure there are no fluid leaks.
- Check for deterioration or cracks in the hoses and fittings.

Brake Pad Wear

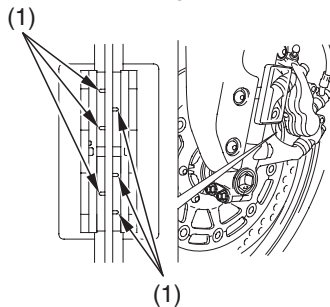
Refer to *Safety Precautions* on page 70 .

Brake pad wear depends upon the severity of usage, the type of riding, and road conditions. Generally, the pads will wear faster on wet and dirty roads. Inspect the pads at each regular maintenance interval (page 78).

Always inspect both pads in both the right and left brake calipers.

Front Brake

LEFT FRONT (Right side similar)



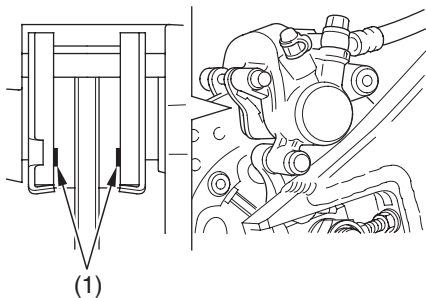
(1) wear indicator grooves

Check the wear indicator grooves (1) in each pad. If either pad is worn to the bottom of the grooves, replace both pads as a set. See your Honda dealer for this service.

Brakes

Rear Brake

RIGHT REAR



(1) cutouts

Check the cutouts (1) in each pad. If either pad is worn to the cutout, replace both pads as a set. See your Honda dealer for this service.

To safely operate your motorcycle, your tires must be the proper type and size, in good condition with adequate tread, and correctly inflated for the load you are carrying.

⚠ WARNING

Using tires that are excessively worn or improperly inflated can cause a crash in which you can be seriously hurt or killed.

Follow all instructions in this owner's manual regarding tire inflation and maintenance.

The following pages give detailed information on how and when to check

your air pressure, how to inspect your tires for wear and damage, and our recommendations for tire repair and replacement.

Air Pressure

Refer to *Safety Precautions* on page 70 .

Properly inflated tires provide the best combination of handling, tread life, and riding comfort. Generally, underinflated tires wear unevenly, adversely affect handling, and are more likely to fail from being overheated. Overinflated tires make your motorcycle ride harshly, are more prone to damage from road hazards, and wear unevenly.

Tires

We recommend that you visually check your tires before every ride and use an air pressure gauge to measure the air pressure at least once a month or any time you think the tires might be low. Even tires that are in good condition may lose one to two psi per month if not checked and adjusted regularly.

Tubeless tires have some degree of self-sealing ability if they are punctured. However, because leakage is often very slow, you should look closely for punctures whenever a tire is not fully inflated.

Always check air pressure when your tires are “cold” — after the motorcycle has been parked for at least three hours. If you check air pressure when your tires are

“warm” — even if your motorcycle has only been ridden for a few miles — the readings will be higher. If you let air out of warm tires to match the recommended cold pressures, the tires will be underinflated.

The recommended “cold” tire pressures are:

front	36 psi (250 kPa , 2.50 kgf/cm ²)
rear	42 psi (290 kPa , 2.90 kgf/cm ²)

Inspection

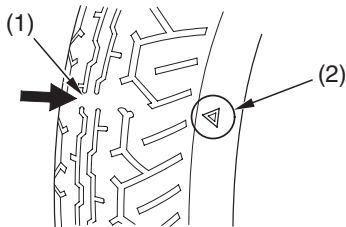
Refer to *Safety Precautions* on page 70.

Whenever you check the tire pressures, you should also look for:

- Bumps or bulges in the side of the tire or the tread. Replace any tire that has a bump or bulge.
- Cuts, slits, or cracks in the tires. Replace the tire if you can see fabric or cord.
- Nails or other foreign objects embedded in the side of the tire or tread.
- Excessive tread wear.

Also, if you hit a pothole or hard object while riding, pull to the side of the road as soon as you safely can and carefully inspect the tires for damage.

Tread Wear



(1) wear indicator

(2) wear indicator location mark

Tires

For the best performance, you should replace a tire before the tread depth at the center reaches the following limits:

front	0.06 in (1.5 mm)
rear	0.08 in (2.0 mm)

If the wear indicators are visible, replace the tire immediately as it is no longer safe.

Tire Repair

Refer to *Safety Precautions* on page 70 .

We strongly recommend that you replace, not repair, any tire that is punctured or damaged. As discussed below, a tire that is repaired, either temporarily or permanently, will have lower speed and performance limits than a new or undamaged tire.

A temporary repair can sometimes be made in an emergency situation.

However, since a temporary repair may not hold, you must ride very slowly, preferably without any cargo or passenger, and have the tire replaced or permanently repaired as soon as possible.

(For more information on temporary repairs, see *If You Have a Flat Tire*, page 176 .)

A permanent repair, such as an internal plug patch, can be made if a tire has only a small puncture in the tread area. With such a repair, you should not exceed 50 mph (80 km/h) for the first 24 hours, or 80 mph (130 km/h) at any time thereafter. In addition, you may not be able to safely carry as much weight. If you choose to have a tire repaired, be sure the repair work is performed by a professional and that the wheel is balanced before you ride.

If you have a tire professionally repaired at a non-Honda facility, we recommend that you have the work checked by your Honda dealer.

Tire Replacement

Refer to *Safety Precautions* on page 70 .

The tires that came on your motorcycle were designed to match the performance capabilities of your motorcycle and provide the best combination of handling, braking, durability, and comfort.

Tires

You should replace the tires with tires of the same size, load range, and speed rating as the originals.

WARNING

Installing improper tires on your motorcycle can affect handling and stability. This can cause a crash in which you can be seriously hurt or killed.

Always use the size and type of tires recommended in this owner's manual.

The recommended tires for your motorcycle are:

front	120/70ZR17M/C (58W) DUNLOP Qualifier PTG BRIDGESTONE BT015F RADIAL E
rear	180/55ZR17M/C (73W) DUNLOP Qualifier PTG BRIDGESTONE BT015R RADIAL E
type	radial-ply, tubeless

Whenever you replace a tire, remember:

- Have the wheel balanced after the tire is installed.
- Have the tire replaced by your Honda dealer if possible.

If you have a tire professionally replaced at a non-Honda facility, we recommend that you have the work checked by your Honda dealer.

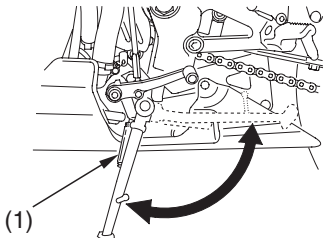
Important Safety Reminders

- Do not install a tube inside a tubeless tire on this motorcycle. Excessive heat build-up can cause the tube to burst.
- Use only tubeless tires on this motorcycle. The rims are designed for tubeless tires, and during hard acceleration or braking, a tube-type tire could slip on the rim and cause the tire to rapidly deflate.
- Do not install a bias-ply tire on this motorcycle. Mixing bias-ply and radial tires can adversely affect handling and stability.

Side Stand

Refer to *Safety Precautions* on page 70 .

LEFT SIDE



(1) side stand spring

- Check that the side stand assembly is working properly. If the side stand is stiff or squeaky, clean the pivot area and lubricate the pivot bolt with clean grease.

- Check the spring for damage or loss of tension.
- Check the side stand ignition cut-off system:
 1. Sit on the motorcycle and put the transmission in neutral.
 2. Raise the side stand.
 3. Start the engine.
 4. Pull the clutch lever in.
 5. Shift the transmission into gear.
 6. Lower the side stand all the way.The engine should stop as you lower the side stand. If the engine doesn't stop, see your Honda dealer for service.

An endless (riveted master link) chain connects the countershaft and rear wheel sprockets. The O-ring chain uses rubber rings between the side plates of the pin and roller links to seal in the manufacturer-installed lubricating grease and keep out moisture and dirt.

The service life of the chain depends on proper lubrication and adjustment. Poor maintenance can cause premature wear or damage to the drive chain or sprockets.

The drive chain should be checked, adjusted, and lubricated as part of the pre-ride inspection (page 43).

Under severe usage, or when the motorcycle is ridden in unusually dusty or muddy areas, more frequent maintenance will be necessary.

Before servicing your drive chain, turn the engine OFF, lower the side stand, and check that your transmission is in neutral.

It is not necessary to remove or replace the drive chain to perform the recommended service in the Maintenance Schedule.

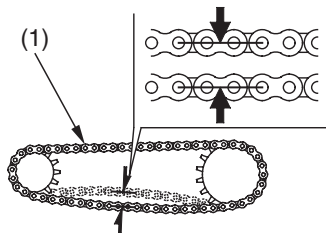
Drive Chain

Inspection

Refer to *Safety Precautions* on page 70 .

1. Check slack in the lower drive chain
(1) run midway between the sprockets.
Drive chain slack should allow the following vertical movement by hand:
1 3/16 – 1 9/16 in (30 – 40 mm)
2. Check drive chain slack at several points along the chain. The slack should remain constant. If it isn't, some links may be kinked and binding. Lubricating the chain will often eliminate binding and kinking.

LEFT SIDE



(1) drive chain

3. Inspect the drive chain for:
 - damaged rollers
 - dry or rusted links
 - kinked or binding links
 - excessive wear
 - improper adjustment
 - damaged or missing O-rings

Drive Chain

Replace the drive chain (page 149) if it has damaged rollers, loose pins, or kinks that cannot be freed. Lubricate the drive chain (page 148) if it appears dry or shows signs of rust. Lubricate any kinked or binding links and work them free. Adjust chain slack if needed.

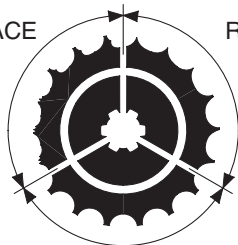
4. Inspect the front and rear wheel sprocket teeth for excessive wear or damage. If necessary, have your Honda dealer replace a worn sprocket.

damaged
sprocket
teeth

worn
sprocket
teeth

REPLACE

REPLACE



normal sprocket teeth
GOOD

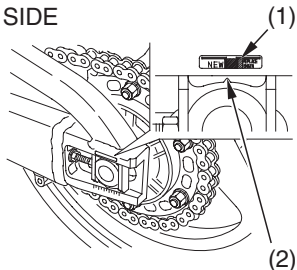
NOTICE

Use of a new chain with worn sprockets will cause rapid chain wear.

Drive Chain

Wear Inspection

LEFT SIDE



(1) red zone

(2) index mark

Check the chain wear label when adjusting the chain. If the red zone (1) on the label aligns with the index mark (2) on the chain adjustment plate after the chain has been adjusted to the proper slack, the chain is excessively worn and must be replaced. The proper slack is:
 $1 \frac{3}{16}$ – $1 \frac{9}{16}$ in (30 – 40 mm)

The bottom part of the frame may be damaged by excessive drive chain slack of more than:

$1 \frac{15}{16}$ in (50 mm)

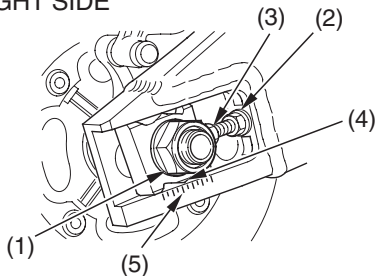
Adjustment

Refer to *Safety Precautions* on page 70 .

Drive chain slack should be checked and adjusted, if necessary, every 500 miles (800 km). When operated at sustained high speeds or under conditions of frequent rapid acceleration, the chain may require more frequent adjustments.

Drive Chain

RIGHT SIDE



- | | |
|--------------------------------|-------------------------------|
| (1) rear axle nut | (4) chain adjuster index mark |
| (2) drive chain lock nut | (5) scale graduations |
| (3) drive chain adjusting bolt | |

1. Place the motorcycle on its side stand with the transmission in neutral and the ignition switch OFF.
2. Loosen the rear axle nut (1).

3. Loosen the drive chain lock nuts (2) on both sides of the swingarm.
4. Turn both drive chain adjusting bolts (3) an equal number of turns until the correct drive chain slack is obtained. Turn the drive chain adjusting bolts counterclockwise to tighten the chain, Turn the drive chain adjusting bolts clockwise and push the rear wheel toward the front to provide more slack. Adjust the chain slack at a point midway between the front sprocket and the rear wheel sprocket. Roll the motorcycle forward. Stop and place it on its side stand. Recheck chain slack. Chain slack should allow the following vertical movement by hand:
1 3/16 – 1 9/16 in (30 – 40 mm)

(cont'd)

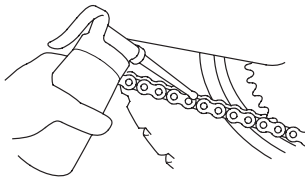
Drive Chain

5. Check rear axle alignment by making sure the chain adjuster index mark (4) aligns with the scale graduations (5) on both sides of the swingarm.
Both marks should correspond. If the axle is misaligned, turn the right or left adjusting bolt until the marks are aligned and recheck chain slack.
6. Tighten the rear axle nut to the specified torque:
83 lbf·ft (113 N·m , 11.5 kgf·m)
If a torque wrench is not used for this installation, see your Honda dealer as soon as possible to verify proper assembly. Improper assembly may lead to a loss of braking capacity.

7. Tighten the drive chain adjusting bolts lightly by turning it counterclockwise, then tighten the drive chain lock nuts by holding the drive chain adjusting bolts with a wrench.
8. Recheck drive chain slack (page 144).

Lubrication

Refer to *Safety Precautions* on page 70 .



Lubricate every 500 miles (800 km) or sooner if chain appears dry. Lubricant: SAE 80 or 90 gear oil

Lubricate only with SAE 80 or 90 gear oil. Commercial chain lubricants may contain solvents which could damage the rubber O-rings.

Removal, Cleaning & Replacement

Refer to *Safety Precautions* on page 70 .

Your motorcycle has an endless (riveted master link) type chain. It should only be removed or replaced by your Honda dealer.

The O-rings can be damaged by steam cleaning, high pressure washers, and certain solvents.

1. Clean the side surfaces of the chain with a dry cloth. Use a high flashpoint solvent such as kerosene — not gasoline.

Do not brush the rubber O-rings.

Brushing will damage them. Use of a solvent may also damage the O-rings.

2. Inspect the drive chain for possible wear or damage.

Replace the drive chain if it has damaged rollers, loose fitting links, damaged O-rings, or otherwise appears unserviceable.

Replacement Chain:

DID525HV

or

RK525ROZ6

Battery

Your motorcycle has a maintenance-free type battery. You do not have to check the battery electrolyte level or add distilled water as you would with a conventional-type battery.

NOTICE

Your battery is a maintenance-free type and can be permanently damaged if the cap strip is removed.

Electrical accessories use current from the battery — even when the ignition is OFF. Limited operation also allows the battery to discharge. If you have electrical accessories on your motorcycle — or do not ride frequently, we recommend that you charge the battery frequently (see *Battery Charging*, page 154).

If you do not expect to ride your motorcycle for at least two weeks, we recommend you remove the battery — or at least disconnect the battery cables (negative cable first).

If you plan to store your motorcycle, see *Battery Storage*, page 151 .

If your battery seems weak and/or is leaking electrolyte (causing slow starting or other electrical problems), see your Honda dealer.

WARNING: Battery posts, terminals and related accessories contain lead and lead compounds. **Wash hands after handling.**

Battery Storage

Refer to *Safety Precautions* on page 70 .

If you plan to store your motorcycle, we recommend you remove the battery and store it where it can be charged at least every 30 days to maintain its service life.

If you do not remove the battery, we recommend disconnecting the battery cables (negative cable first).

You will get the best storage results from removing the battery and slow (trickle) charging it every 30 days (see *Battery Charging*, page 154).

Before you remove the battery, be sure to read all the information that follows, as well as the information on the battery label.

WARNING

The battery gives off explosive hydrogen gas during normal operation.

A spark or flame can cause the battery to explode with enough force to kill or seriously hurt you.

Wear protective clothing and a face shield, or have a skilled mechanic do the battery maintenance.

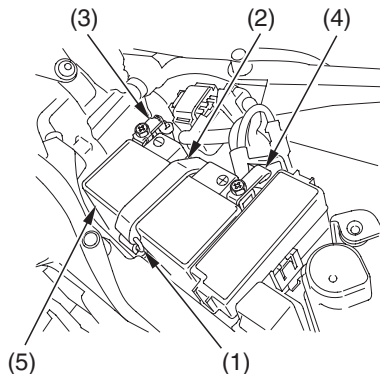
Battery

The battery is located in the battery box below the front seat.

Removal

1. Make sure the ignition switch is OFF.
2. Remove the front seat (page 86).
3. Release the ring (1) and remove the rubber band (2).
4. Disconnect the negative (-) terminal lead (3) from the battery first, then disconnect the positive (+) terminal lead (4).
5. Pull the battery (5) out of the battery box.

UNDER FRONT SEAT



- (1) ring
- (2) rubber band
- (3) negative (-) terminal lead
- (4) positive (+) terminal lead
- (5) battery

6. Charge the battery (see following section), unless you have been riding regularly.
7. Store your battery in an easy-to-reach location off the floor, in an area protected from freezing temperatures and direct sunlight.
8. Clean the battery box after removing the battery for storage. Dry the battery box and, if paint is missing, re-paint the area.
9. Slow charge the battery (see following section) once every 30 days.

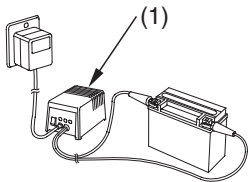
Installation

1. Reinstall in the reverse order of removal.
Be sure to connect the positive (+) terminal first, then the negative (-) terminal.
2. Check all bolts and other fasteners are secure.

Battery

Battery Charging

Refer to *Safety Precautions* on page 70 .



(1) “trickle” charger

Be sure to read the information that came with your battery charger and follow the instructions on the battery. Improper charging may damage the battery.

We recommend using a “trickle” charger (1) for home charging. These units can be left connected for long periods without risking damage to the battery. However, do not intentionally leave the charger connected longer than the time period recommended in the charger’s instructions.

Avoid using an automotive-type battery charger. An automotive charger can overheat a motorcycle battery and cause permanent damage.

Frequent cleaning and polishing will keep your Honda looking newer longer. Frequent cleaning also identifies you as an owner who values your motorcycle. A clean motorcycle is also easier to inspect and service.

General Recommendations

Refer to *Safety Precautions* on page 70 .

- To clean your motorcycle, you may use:
 - water
 - a mild, neutral detergent and water
 - a mild spray and wipe cleaner/ polisher
 - a mild spray and rinse cleaner/ degreaser and water

- Avoid products that contain harsh detergents or chemical solvents that could damage the metal, paint, and plastic on your motorcycle.
- If your motorcycle is still warm from recent operation, give the engine and exhaust system time to cool off.
- Park in a shady area. Washing your motorcycle in bright sunlight may cause the finish to fade because water droplets intensify the sun's brightness. Spotting is also more likely because surface water can dry before you have time to wipe it off.
- Clean your motorcycle regularly to protect surface finishes.

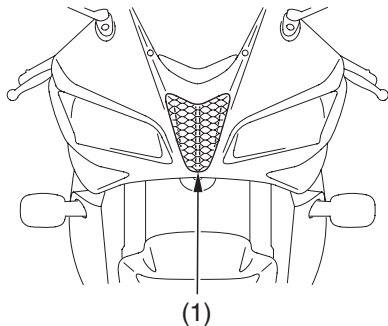
(cont'd)

Appearance Care

- We recommend the use of a garden hose to wash your motorcycle. High pressure washers (like those at coin-operated car washes) can damage certain parts of your motorcycle.
- Do not direct water at the air intake (1). The water could enter the air cleaner or be drawn into the throttle body.

NOTICE

High pressure water (or air) can damage certain parts of your motorcycle.



(1) air intake

- After cleaning, inspect for damage, wear, and leaks (fuel, oil, coolant, and brake fluid).

Washing Your Motorcycle with a Mild Detergent

Refer to *Safety Precautions* on page 70 .

1. Rinse your motorcycle thoroughly with cool water to remove loose dirt.
2. Fill a bucket with cool water. Mix in a mild, neutral detergent, such as dish washing liquid or a product made especially for washing motorcycles or automobiles.
3. Wash your motorcycle with a sponge or a soft towel. As you wash, check for heavy grime. If necessary, use a mild cleaner/degreaser to remove the grime.
4. Clean the windscreen with a soft cloth or sponge and plenty of water. Dry with a soft clean cloth. Remove minor

scratches with a commercially-available plastic polishing compound.

Take care to keep brake fluid or chemical solvents off the fairing. They will damage the plastic.

5. Clean the headlight, fairing, meter lens and other plastic parts using a cloth or sponge dampened with a solution of mild detergent and water. When cleaning the plastic headlight lens, use more care because it will scratch easier than a glass lens. Rub any soiled area, gently rinsing it frequently with fresh water.

(cont'd)

Appearance Care

6. After washing, rinse your motorcycle thoroughly with plenty of clean water to remove any residue. Detergent residue can corrode alloy parts.
7. Dry your motorcycle with a chamois or a soft towel. Leaving water on the surface to air dry can cause dulling and water spots. As you dry, inspect for chips and scratches.
8. Lubricate the drive chain to prevent rusting.
9. Start the engine and let it idle for several minutes. The engine heat will help dry moist areas.
10. As a precaution, ride your motorcycle at a slow speed and apply the brakes several times. This will help dry the brakes and restore normal braking performance.

Spray Cleaning Your Motorcycle

Refer to *Safety Precautions* on page 70 .

Avoid using spray cleaner products on the tires or suspension components.

Suggestions for using spray cleaner(s) follow:

Appearance Care

Motorcycle Condition	Recommended Cleaning
Dust and fingerprint smudges.	Apply a spray cleaner/polish and wipe the paint, chrome, glass, and clear plastic.
Light road grime.	Spray any difficult-to-reach or very dirty areas with a spray cleaner/degreaser. Rinse and dry. Apply a spray cleaner/polish and wipe with a non-abrasive cloth.
Heavy grime. Oil leaks. Brake dust.	Use a spray cleaner/degreaser. If necessary, rub with a sponge. Rinse and dry. Apply a spray cleaner/polish and wipe with a non-abrasive cloth.
Dull, corroded chrome or aluminum.	Apply a high quality chrome/aluminum polish and wipe with a non-abrasive cloth.

Appearance Care

Painted Aluminum Wheel Maintenance

Refer to *Safety Precautions* on page 70 .

Aluminum may corrode from contact with dirt, mud, or road salt. Clean the wheels after riding through any of these substances. Use a wet sponge and mild detergent. Avoid stiff brushes, steel wool, or cleaners containing abrasives or chemical compounds.

After washing, rinse with plenty of water and dry with a clean cloth.

If the paint is chipped, apply touch-up paint.

Clean the Matte Painted Surface

Refer to *Safety Precautions* on page 70 .

Use a soft cloth or sponge, plenty of water, and a mild detergent to clean the matte paint. Dry with a soft, clean cloth.

Do not use polishing compounds or wax containing polishing compounds. These can damage or discolor the paint.

To keep your Honda looking new, clean and polish it frequently.

Exhaust Pipe And Muffler Maintenance

Refer to *Safety Precautions* on page 70 .

The exhaust pipe and muffler are stainless steel but may become stained by mud or dust.

To remove mud or dust, use a wet sponge and a liquid kitchen abrasive, then rinse well with clean water. Dry with chamois or a soft towel.

If necessary, remove heat stains by using a commercially available fine texture compound. Then rinse by the same manner as removing mud or dust.

Appearance Care

Finishing Touches

Refer to *Safety Precautions* on page 70 .

After washing your motorcycle, consider using a commercially-available spray cleaner/polish or quality liquid or paste wax to finish the job. Use only a non-abrasive polish or wax made specifically for motorcycles or automobiles. Apply the polish or wax according to the instructions on the container.

If a surface on your motorcycle is chipped or scratched, your Honda dealer has touch-up paint to match your motorcycle's color. Be sure to use your motorcycle's color code (page 202) when you buy touch-up paint.

If the frame has a chip that exposes the metal, first apply primer (to prevent corrosion) and then apply the touch-up paint. Several thin layers of touch-up paint are better than one thick coat.

Here's a few helpful tips on how to store and transport your Honda, and how to be an environmentally responsible motorcycle owner.

Storing Your Honda	164
Transporting Your Motorcycle	167
You & the Environment	168

Storing Your Honda

If you won't be riding for an extended period, such as during the winter, thoroughly inspect your motorcycle and correct any problem before storing it. That way, needed repairs won't be forgotten and it will be easier to get your motorcycle running again.

For more information about storage, refer to the *Honda Motorcycle Winter Storage Guide*, available from your Honda dealer (USA only).

We suggest you perform the following procedures to keep your motorcycle in top condition. These storage procedures will reduce the deterioration that can occur during storage.

Preparation for Storage

Refer to *Safety Precautions* on page 70 .

1. Change the engine oil and filter (page 99).
2. Make sure the cooling system is filled with a 50/50% antifreeze solution (page 104).
3. Fill the fuel tank. Make sure the fuel fill cap is properly installed.

Storing Your Honda

4. To prevent rusting in the cylinders, perform the following:
 - Remove the ignition coil connectors and ignition coils from the spark plugs. Using tape or string, secure the connectors to any convenient plastic body part so that they are positioned away from the spark plugs.
 - Remove the spark plugs from the engine and store them in a safe place. Do not connect the ignition coils to the ignition coil connectors.
 - Pour a tablespoon (15–20 cc) of clean engine oil into each cylinder and cover the spark plug holes with a piece of cloth.
- With the engine stop switch in the RUN position, press the start button several times to crank the engine and distribute the oil.
- Reinstall the spark plugs, ignition coils and ignition coil connectors.
5. Remove the battery and charge it fully. Store it in an area protected from freezing temperatures and direct sunlight. Slow charge the battery (page 154) once a month.
6. Wash and dry your motorcycle. Wax all painted surfaces (except matte painted surfaces). Apply rust-inhibiting oil to the chrome pieces.

(cont'd)

Storing Your Honda

7. Lubricate the drive chain (page 148).
8. Inflate the tires to their recommended pressures (page 135).
9. Store your motorcycle in an unheated area, free of dampness, away from sunlight, with a minimum of daily temperature variation.
10. Place your motorcycle on blocks to lift both tires off the floor.
11. Cover your motorcycle with a porous material. Avoid using plastic or similar non-breathing, coated materials that restrict air flow and allow heat and moisture to accumulate.

Removal from Storage

Refer to *Safety Precautions* on page 70 .

1. Uncover and clean your motorcycle.
2. If your motorcycle has been stored for more than four months — change the engine oil (page 99).
3. If your motorcycle has been stored for more than two months — ask your Honda dealer to drain and replace the fuel.
4. Charge the battery (page 154) as required. Install the battery.
5. Lubricate the drive chain (page 148).
6. Perform a pre-ride inspection (page 43), then test-ride your motorcycle at low speeds.

Transporting Your Motorcycle

If your motorcycle needs to be transported, it should be carried on a motorcycle trailer, or a truck or trailer with a flatbed area. For information about 24-hour emergency assistance, see page 229 (USA only). Do not tow your motorcycle, as towing can seriously damage the transmission.

When contacting a towing or transporting service, be sure to ask if they have a flatbed area, a loading ramp or power ramp to safely lift the motorcycle, and motorcycle tie-down straps.

You & the Environment

Owning and riding a motorcycle can be enjoyable, but you must do your part to protect nature.

Following are tips on how you can be an environmentally-responsible motorcycle owner.

- **Choose Sensible Cleaners.** Use a biodegradable detergent when you wash your motorcycle. Avoid aerosol spray cleaners that contain chlorofluorocarbons (CFCs) which damage the atmosphere's protective ozone layer. Don't throw cleaning solvents away; see the following guidelines for proper disposal.

- **Recycle Wastes.** It's illegal and thoughtless to put used engine oil in the trash, down a drain, or on the ground. Used oil, gasoline, coolant, and cleaning solvents contain poisons that can hurt refuse workers and contaminate our drinking water, lakes, rivers, and oceans. Before changing your oil, make sure you have the proper containers. Put oil and other toxic wastes in separate sealed containers and take them to a recycling center. Call your local or state office of public works or environmental services to find a recycling center in your area, and to get instructions on how to dispose of non-recyclable wastes.

Taking Care of the Unexpected

This section discusses the more common problems that can occur with your motorcycle while you're riding. It tells you how to evaluate each problem and what actions you can take to try to resume riding. If the problem cannot be safely solved, this section also gives instructions on the proper way to have your motorcycle transported.

For information about transporting your motorcycle, see page 167 .

General Guidelines.....	170
If Your Engine Quits or Won't Start	171
If You Have a Flat Tire.....	176
If Your Engine Overheats	189
If the Low Oil Pressure Indicator Lights	191
If a Fuse Blows.....	192
If You Crash.....	196
If You Lose Your Key	197
If Your Battery Is Low (or Dead).....	198

Taking Care of the Unexpected

General Guidelines

Keeping your motorcycle well-maintained is the best way to reduce the possibility of having a problem on the road. However, since problems can arise even with well-maintained machines, you may consider subscribing to an emergency roadside service plan. (USA only: For information about the Honda Rider's Club of America, see page 229 .)

Remember to take along your owner's manual, the tool kit that came with your motorcycle, and any other items (such as tire repair supplies and additional tools) that might help you solve a problem on your own.

Should you ever have a problem while riding, please follow these guidelines:

- Always put personal safety first.
- Take time to assess the situation and your options before deciding what to do.
- If the problem is relatively minor and you have the tools, supplies, and skills to make a temporary repair, be sure to have permanent repairs made as soon as possible.
- Do not continue riding if you are hurt or your motorcycle is not in safe riding condition.

Additional recommendations for specific problems follow.

If Your Engine Quits or Won't Start

Proper operation and maintenance can prevent starting and engine performance problems. In many cases, the cause of the problem may be a simple operational oversight.

If you have a problem starting the engine — or experience poor engine performance — the following information may help you. If you can't correct the problem, see your Honda dealer.

If your motorcycle won't start, listen as you press the start button. If you don't hear the starter motor turning, refer to the *Starter motor doesn't operate* symptom. If you can hear the starter motor working normally, refer to the *Starter motor works, but the engine won't start* symptom.

If Your Engine Quits or Won't Start

SYMPTOM: Starter motor doesn't operate.	
POSSIBLE CAUSE	WHAT TO DO
ignition switch OFF	Turn the ignition switch ON.
transmission not in neutral	Shift into neutral.
side stand down (when transmission not in neutral)	Put the transmission in neutral or raise the side stand and pull the clutch lever in.
blown fuse	Replace with a new fuse of the same rating (page 192).
battery lead loose	Tighten the battery lead.
low (or dead) battery	Charge the battery (page 154). If charging doesn't help, see your Honda dealer.
faulty starter motor	If all possible causes are negative, the starter motor may be faulty. See your Honda dealer.

If Your Engine Quits or Won't Start

SYMPTOM: Starter motor works, but the engine won't start.	
POSSIBLE CAUSE	WHAT TO DO
engine stop switch OFF	Turn the engine stop switch to RUN.
out of fuel	Fill the fuel tank.
flooded engine	See <i>Flooded Engine</i> (page 53).
loose or unconnected ignition coil connectors and ignition coils	Install the ignition coil connectors and ignition coils securely. If the engine still won't start, see your Honda dealer.
loose battery cables	Tighten the battery terminal bolts.
weak battery	Charge the battery (page 154). If charging doesn't help, see your Honda dealer.

If Your Engine Quits or Won't Start

SYMPTOM: Engine starts, but stalls as you shift into gear.

POSSIBLE CAUSE	WHAT TO DO
side stand down	Raise the side stand. Start again.

SYMPTOM: Engine starts, but runs poorly.

POSSIBLE CAUSE	WHAT TO DO
idles roughly, too fast, stalls	See your Honda dealer.
overheating	Check the coolant temperature meter. Refer to <i>If Your Engine Overheats</i> , page 189.
low oil pressure	Check the low oil pressure indicator. Refer to <i>If the Low Oil Pressure Indicator Lights</i> , page 191.
runs erratically, misfires	May damage catalytic converter. See your Honda dealer.
blubbers (rich fuel mixture)	See your Honda dealer.

If Your Engine Quits or Won't Start

SYMPTOM: Engine starts, but runs poorly (cont'd).	
POSSIBLE CAUSE	WHAT TO DO
sooty exhaust (rich fuel mixture)	See your Honda dealer.
detonates or pings under load	If applicable, switch to the recommended octane gasoline (page 91) or change your brand of gasoline. If the problem persists, see your Honda dealer.
afterfires (backfires)	May damage catalytic converter. See your Honda dealer.
pre-ignition (runs on after ignition switched OFF)	May damage catalytic converter. See your Honda dealer.

If You Have a Flat Tire

A flat tire is always unwelcome, especially if you are far from help. If you think you are losing air, or you hit a pothole or hard object, pull safely to the side of the road so you can inspect the tires and assess the situation. (Be sure to park on a firm, level surface and use the side stand for support.) You should examine the tire treads and sidewalls for foreign objects or damage. If you find a tire that has been punctured or damaged, you have two options.

Option 1:

Have Your Motorcycle Transported

If a tire has a major puncture or a cut in the tread or sidewall, or the bead has come loose from the rim, there is probably not much you can do except have your motorcycle transported to a Honda dealer

or other qualified service facility. (USA only: For information about 24-hour emergency roadside assistance, see page 229 .) Even with a simple puncture, this may be the safest and least troublesome solution. For transporting instructions, see page 167 .

Option 2:

Make a Temporary Roadside Repair

If a tire has only a minor nail puncture and is not completely flat, you may be able to make an emergency repair that could allow you to continue riding to where you can get the tire replaced or permanently repaired.

If You Have a Flat Tire

WARNING

Riding your motorcycle with a temporary tire repair can be risky. If the temporary repair fails, you can crash and be seriously injured or killed.

If you must ride with a temporary tire repair, ride slowly and carefully and do not exceed 30 mph (50 km/h) until the tire is permanently repaired or replaced.

Due to the uncertainty of any temporary repair, you should ride slowly (not over 30 mph, 50 km/h) and carefully (preferably without a passenger or cargo) until the tire is replaced or permanently

repaired. Stop frequently and check the air pressure. If the tire is losing pressure, it may be unsafe to continue riding. As the tire gets low, it will affect the handling of your motorcycle (especially with a passenger and cargo), and it may overheat and blow out.

Types of Temporary Repairs

The following types of temporary repairs generally require a source of air to inflate the tire. Possible sources include CO₂ cartridges or cans of compressed air designed to inflate a tire.

If You Have a Flat Tire

- **Inflate the tire:** Tubeless tires have some self-sealing ability if they are punctured and the result is usually just a slow leak. If this is the case, you can try inflating the tire to see if it will hold air pressure. If you can see a nail or other object embedded in the tire tread, do not remove it at this time.
- **Plug the hole:** The idea here is to do something to temporarily stop the leak. If you have a tubeless tire repair kit, you can pull out the nail and try inserting an external plug in the puncture. Follow the instructions that came with the repair kit and be sure to inflate the tire to the correct pressure.

Should You Repair or Replace a Tire?

We strongly recommend that you replace, not permanently repair, any tire that is punctured or damaged, even if the tire has only a minor puncture. For a full discussion of repairs and replacement, see page 138.

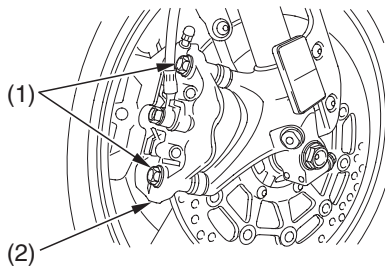
If You Have a Flat Tire

Emergency Front Wheel Removal/Installation

Refer to *Safety Precautions* on page 70 .

We recommend wheel removal be done only by your Honda dealer or another qualified mechanic. Do not attempt to remove the wheel on your own. Wheel removal requires mechanical skill and professional tools.

RIGHT SIDE



- (1) caliper fixing bolts
- (2) brake caliper

Removal

1. Park your motorcycle on a firm, level surface.

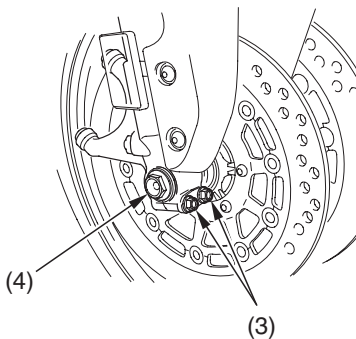
(cont'd)

If You Have a Flat Tire

2. Raise the front wheel off the ground by placing a support block under the engine.
3. Remove the caliper fixing bolts (1) and remove the right and left brake calipers (2) from the fork legs.
 - To avoid damage to the brake hose during removal, support the caliper assembly so that it doesn't hang from the hose. Do not twist the brake hose.
 - Avoid getting grease, oil, or dirt on the disc or pad surfaces. Any contamination can cause poor brake performance or rapid pad wear after reassembly.

4. Loosen the right and left axle pinch bolts (3) and remove the front axle bolt (4).

RIGHT FRONT

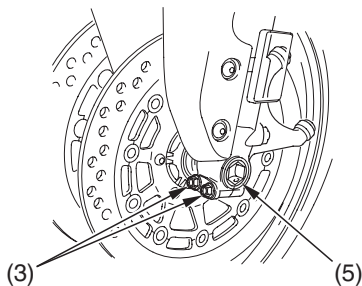


- (3) axle pinch bolts
(4) front axle bolt

If You Have a Flat Tire

5. Remove the front axle shaft (5), wheel and side collars.
- Avoid depressing the brake lever when the wheel is off the motorcycle. This will force the caliper pistons out of the cylinders. The result will be loss of brake fluid. If this occurs, the brake system will require service. See your Honda dealer for this service.

LEFT FRONT



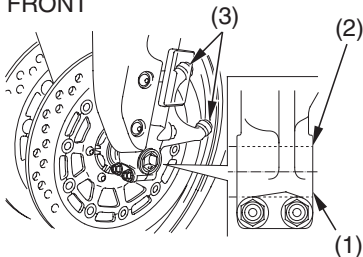
- (3) axle pinch bolts
(5) front axle shaft

If You Have a Flat Tire

Installation

1. Install the side collars and position the wheel between the fork legs. Insert the front axle shaft from the left side, through the left fork leg and wheel hub.
2. Align the end of axle shaft (1) with the surface of fork leg (2).

LEFT FRONT



(1) end of axle shaft
(2) surface of fork leg

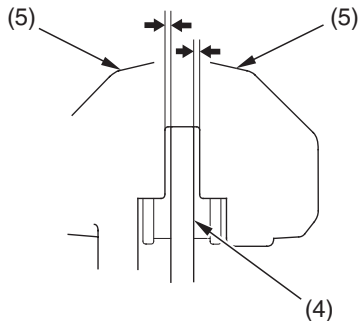
(3) front fork
spacers

3. Tighten the axle pinch bolts on the left fork leg to the specified torque:
16 lbf·ft (22 N·m , 2.2 kgf·m)
4. Tighten the front axle bolt to the specified torque:
44 lbf·ft (59 N·m , 6.0 kgf·m)
5. Make sure that the front fork spacers (3) are installed into the caliper bracket properly.
6. Install the right and left brake calipers onto the fork legs.
To avoid damaging the brake pads, carefully fit the brake disc (4) between the pads.
7. Install the caliper fixing bolts and tighten to the specified torque:
33 lbf·ft (45 N·m , 4.6 kgf·m)

If You Have a Flat Tire

- Operate the front brake and pump the fork several times. Check for free wheel rotation after the brake is released. Recheck the wheel if the brake drags or the wheel does not rotate freely.
- If the clearances between each surface of the brake disc and the brake caliper body (5) (not the brake pads) are symmetrical, follow next step. If the clearances are not symmetrical, loosen the left axle pinch bolts and pull the left fork outward or push inward to adjust the clearance. Then follow the next step.
- Tighten the axle pinch bolts on the right fork leg to the specified torque:
16 lbf·ft (22 N·m , 2.2 kgf·m)

- Visually check that the clearances between each surface of the brake disc and the brake caliper body (not the brake pads) are symmetrical.



(4) brake disc

(5) brake caliper body

If You Have a Flat Tire

If a torque wrench was not used for installation, see your Honda dealer as soon as possible to verify proper assembly. Improper assembly may lead to loss of braking capability.

If You Have a Flat Tire

Emergency Rear Wheel Removal/Installation

Refer to *Safety Precautions* on page 70 .

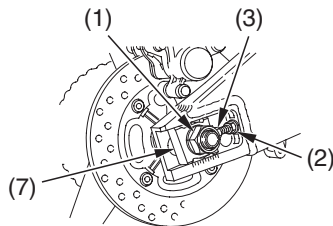
We recommend wheel removal be done only by your Honda dealer or another qualified mechanic. Do not attempt to remove the wheel on your own. Wheel removal requires mechanical skill and professional tools.

Removal

1. Park your motorcycle on a firm, level surface.
2. Raise the rear wheel off the ground by placing a support block under the engine.
3. Loosen the rear axle nut (1).

4. Loosen the drive chain lock nuts (2) and turn the drive chain adjusting bolts (3) so the rear wheel can be moved all the way forward for maximum drive chain slack.
5. Remove the rear axle nut and washer.

RIGHT REAR



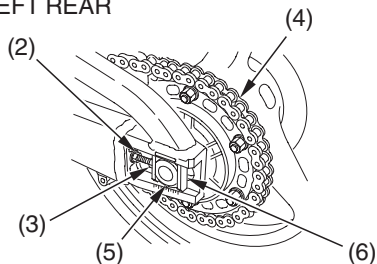
- (1) rear axle nut
- (2) drive chain lock nut
- (3) drive chain adjusting bolt
- (7) right chain adjustment plate

(cont'd)

If You Have a Flat Tire

6. Remove the drive chain (4) from the rear wheel sprocket by pushing the rear wheel forward.

LEFT REAR



- (2) drive chain lock nut
- (3) drive chain adjusting bolt
- (4) drive chain
- (5) rear axle shaft
- (6) left chain adjustment plate

7. Remove the rear axle shaft (5), rear wheel, left chain adjustment plate (6), right chain adjustment plate (7), rear brake bracket and side collars from the swingarm.

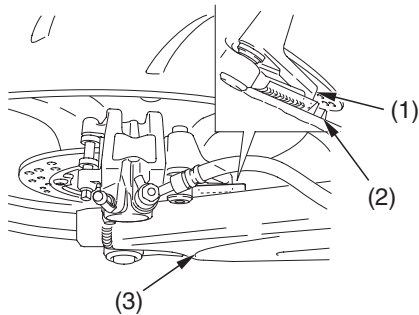
- To avoid damage to the brake hose during removal, support the caliper assembly so that it doesn't hang from the hose. Do not twist the brake hose.
- Avoid depressing the brake pedal when the wheel is off the motorcycle. This will force the caliper piston out of the cylinder. The result will be a loss of brake fluid. If this occurs, the brake system will require service. See your Honda dealer for this service.

If You Have a Flat Tire

Installation

1. Install the side collars and position the wheel and rear brake bracket.
 - While installing the wheel, carefully fit the brake disc between the brake pads to avoid damaging the pads.
 - Avoid getting grease, oil, or dirt on the disc or pad surfaces. Any contamination can cause poor brake performance or rapid pad wear after reassembly.

2. Make sure that the lug (1) on the rear brake bracket is located in the slot (2) on the swingarm (3).



(1) lug
(2) slot

(3) swingarm

(cont'd)

If You Have a Flat Tire

3. Insert the rear axle shaft from the left side, through the left swingarm, wheel hub and rear brake bracket.
4. Install the drive chain by pushing the rear wheel forward.
5. Install the rear axle nut and tighten the drive chain adjusting bolts.
Refer to drive chain adjustment (page 146).
6. Tighten the rear axle nut to the specified torque:
83 lbf·ft (113 N·m , 11.5 kgf·m)
Failure to provide adequate disc-to-rear brake bracket clearance may damage the brake discs and impair braking efficiency.

7. After installing the wheel, apply the brakes several times, then recheck both discs for caliper holder to disc clearance. Do not operate the motorcycle without adequate clearance.

If a torque wrench was not used for installation, see your Honda dealer as soon as possible to verify proper assembly. Improper assembly may lead to loss of braking capability.

If Your Engine Overheats

Normally, the coolant temperature on your temperature meter will rise and then level off. Hot weather may cause the temperature to rise higher than normal. So will temporary stress such as climbing a hill. If you're stuck in stop-and-go traffic, the temperature may climb some, but the radiator fan is designed to prevent overheating. Be aware of these variations as you monitor the meter.

If the coolant temperature display begins to flash and the high coolant temperature indicator comes on for no apparent reason, pull safely to the side of the road. If possible, park in a shady area.

NOTICE

Continuing to ride with an overheated engine can cause serious engine damage.

- A steaming engine indicates a coolant leak. Shut the engine off and wait until the steaming stops. Look for a leak, but don't touch the engine or radiator system. Let everything cool off first.
- If there's no obvious problem, leave the engine on so the fan and coolant circulating system can continue working. Monitor the temperature meter. The temperature may drop to the normal range after a brief stop with no load on the engine.

(cont'd)

If Your Engine Overheats

- Check the radiator fan.
If the fan is not working, turn the engine off. Open the fuse box (page 194) and check the radiator fan fuse. If the fuse is blown, replace it with the proper (same rating) spare fuse. Start the engine. If the coolant temperature display flashes and the high coolant temperature indicator comes on, turn the engine off.
If the radiator fan is working, visually check the coolant level in the reserve tank, located behind the lower fairing (page 88). It isn't necessary to touch the radiator system.
- If the reserve tank is low or empty, don't ride without adding coolant (page 105). After adding coolant, turn the engine on and check the temperature meter. If the temperature doesn't drop, do not

ride. The engine needs repair. Transport your motorcycle to a Honda dealer (page 167).

If the temperature drops to normal, check the coolant level. If it has gone down, add more coolant.

If you are able to resume riding, continue to monitor the meter frequently.

If there's a mild leak, you can ride for awhile, carefully watching the meter. Be prepared to stop and add more coolant or water. If the leak is bad, transport your motorcycle to a Honda dealer (page 167).

If the Low Oil Pressure Indicator Lights

If you check your engine oil level regularly, you should never see the low oil pressure indicator while riding. Normally, it will only light momentarily when you turn the ignition switch ON. Occasionally, it may flicker at or near idling speed.

Low oil pressure may be caused by an oil leak, a low oil level, or some problem in the engine's lubrication system.

If the indicator comes on while you're riding, don't ignore it. Pull safely to the side of the road. If possible, pull the clutch lever in and coast to a stop. Stop the engine as soon as it's safe to do so.

NOTICE

Continuing to ride with low oil pressure can cause serious engine damage.

- Check for an oil leak.
- Then check the oil level. If necessary, add the recommended oil (page 98) to the upper level mark. If you must leave your motorcycle to get oil, secure it as much as possible.
- After adding oil, start the engine, and check that the low oil pressure indicator goes off. Check for a possible leak.

If the indicator goes off and there is no leak — resume riding. If there is a leak — do not ride the motorcycle until the leak is repaired by a Honda dealer.

If a Fuse Blows

All of the electrical circuits on your motorcycle have fuses to protect them from damage caused by excess current flow (short circuit or overload).

If something electrical on your motorcycle stops working, the first thing you should check for is a blown fuse.

Determine from the chart on the circuit fuse box cover which fuse or fuses control that component. Check those fuses first, but check all the fuses before looking elsewhere for another possible cause of the problem. Replace any blown fuses and check component operation.

- Main fuse (and spare) are located on the starter motor magnetic switch under the front seat.
- The circuit fuse box (including spare fuses) is located under the front seat.

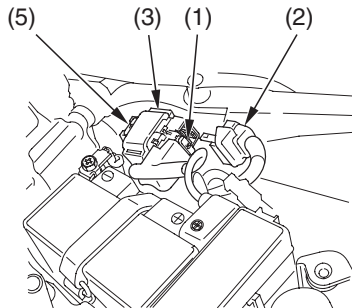
Recommended Fuses

main fuse	30A
other fuses	10A, 20A

1. To prevent an accidental short circuit, turn the ignition switch OFF before checking or replacing the fuses.
2. Remove the front seat (page 86).

If a Fuse Blows

UNDER FRONT SEAT

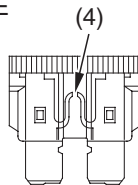


- (1) main fuse
- (2) wire connector
- (3) starter magnetic switch
- (5) spare main fuse

Main Fuse Access:

3. To access the main fuse (1), disconnect the wire connector (2) of the starter magnetic switch (3).
4. Pull the main fuse out. If it is blown (4), install the spare main fuse (5).

MAIN FUSE



- (4) blown fuse

5. Reconnect the wire connector.

(cont'd)

If a Fuse Blows

Circuit Fuse Access:

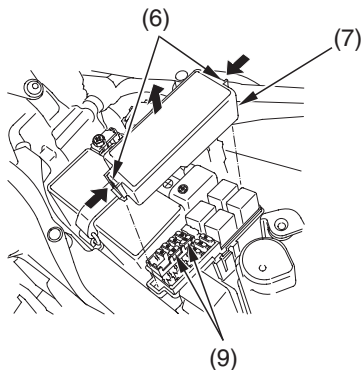
6. Release the tabs (6), then remove the fuse box cover (7).
7. To check or replace a circuit fuse, pull the old fuse out of its retaining clips. Look for a burned wire inside the fuse. If the fuse is blown (8), replace it with a spare fuse (9) of the same rating.

If you do not have a replacement fuse with the proper rating for the circuit, install one with a lower rating.

NOTICE

Replacing a fuse with one that has a higher rating greatly increases the chance of damage to the electrical system.

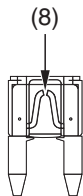
UNDER FRONT SEAT



- (6) tabs
- (7) fuse box cover
- (9) spare fuses

If a Fuse Blows

CIRCUIT FUSE



(8) blown fuse

8. Install the fuse box cover.
9. Install the front seat.

If you do not have a spare fuse and you cannot ride the motorcycle without fixing the problem, take a fuse of the same rating or a lower rating from one of the other circuits that you can do without temporarily.

If you replace a blown fuse with a spare fuse that has a lower rating, replace the fuse with the correct rating as soon as you can. Also remember to replace any spare fuses that were installed.

If the replacement fuse of the same rating burns out in a short time, there is probably a serious electrical problem on your motorcycle. Leave the blown fuse in that circuit and have your motorcycle checked by your Honda dealer.

If You Crash

Personal safety is your first priority after any accident. If you or anyone else has been injured, take time to assess the severity of the injuries and whether it is safe to continue riding. Call for emergency assistance if needed. Also follow applicable laws and regulations if another person or vehicle is involved in the accident.

If you decide you are capable of riding safely, carefully inspect your motorcycle for damage and determine if it is safe to ride. Check the tightness of critical nuts and bolts securing such parts as the handlebar, control levers, brakes, and wheels.

If there is minor damage, or you are unsure about possible damage, ride slowly and cautiously. Sometimes, crash damage is hidden or not immediately apparent, so you should have your motorcycle thoroughly checked at a qualified service facility as soon as possible. Also, be sure to have your Honda dealer check the frame and suspension after any serious crash.

If your motorcycle cannot be ridden, see *Transporting Your Motorcycle*, page 167 .

If You Lose Your Key

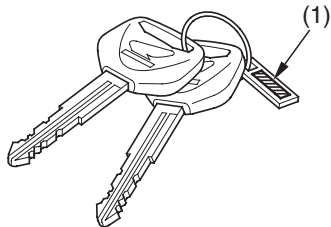
You should receive a key number plate (1) with your keys. Store this plate in a safe place.

Be sure to record your key number in the Quick Reference section at the rear of the manual. You'll need this number to have a duplicate key made.

A lost key won't be a problem if you take preventative action. Store one duplicate key in a safe place at home and carry a second duplicate in your wallet.

If you lose your key and aren't carrying a duplicate, either get your spare or have one made. If you don't know your key number, call the dealer where you purchased your Honda motorcycle. They may have it listed in their records. If they

don't, transport your motorcycle to them or the nearest Honda dealer. The dealer will probably have to remove the ignition switch assembly to find the key number so they can make a key for you.



(1) key number plate

If Your Battery Is Low (or Dead)

Jump starting is not recommended, especially if you use an automobile battery. The greater amperage of an automobile battery when the car engine is running can damage your motorcycle's electrical system.

Bump starting is also not recommended.

If you can't charge the battery or it appears unable to hold a charge, contact your Honda dealer.

Technical Information

This section contains dimensions, capacities, and other technical data, plus information on government requirements and how to break-in your motorcycle.

Vehicle Identification.....	200
Specifications	203
Break-in Guidelines	210
Emission Control Systems	211
Catalytic Converter	217
Oxygenated Fuels.....	218

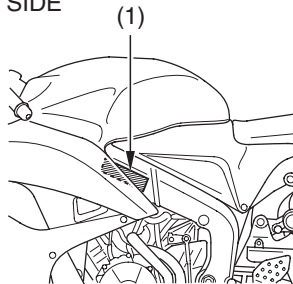
Vehicle Identification

Serial Numbers

The VIN and engine serial number are required when you register your motorcycle. They may also be required when ordering replacement parts. You may record these numbers in the Quick Reference section at the rear of this manual.

The VIN (vehicle identification number) is stamped on the right side of the steering head and also appears on the Safety Certification Label attached to the left side of the frame.

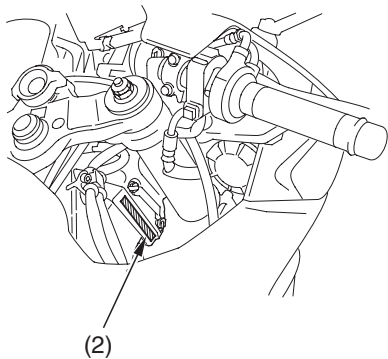
LEFT SIDE



(1) VIN

Vehicle Identification

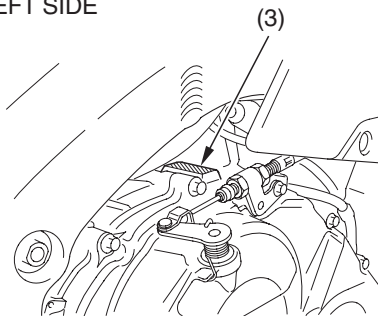
RIGHT SIDE



(2) VIN

The engine number (3) is stamped on the top of the crankcase.

LEFT SIDE



(3) engine number

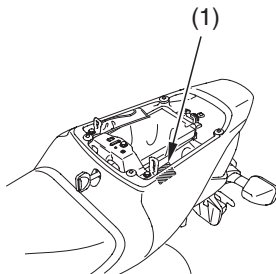
Vehicle Identification

Color Label & Code

The color label (1) is attached on the rear fender under the rear seat. Remove the rear seat (page 87) to check the label.

The color code is helpful when ordering replacement parts. You may record the color and code in the Quick Reference section at the rear of this manual.

UNDER REAR SEAT



(1) color label

Specifications

Dimensions	
overall length	79.1 in (2,010 mm)
overall width	27.0 in (685 mm)
overall height	43.5 in (1,105 mm)
wheelbase	53.9 in (1,370 mm)
ground clearance	5.3 in (135 mm)

Specifications

Fuel & Lubricants	
fuel recommendation	premium unleaded gasoline, pump octane number of 91 or higher
fuel tank capacity	4.76 US gal (18.0 ℓ)
engine oil capacity	after disassembly: 3.7 US qt (3.5 ℓ) after draining: 2.9 US qt (2.7 ℓ) after draining & oil filter change: 3.0 US qt (2.8 ℓ)
engine oil recommendation	API Service Classification SG or higher except oils labeled as energy conserving on the circular API service label, SAE 10W-30, JASO T 903 standard MA, Pro Honda GN4 4-stroke oil (USA & Canada) or Honda 4-stroke oil (Canada only), or an equivalent motorcycle oil
drive chain lubricant	SAE 80 or 90 gear oil
cooling system, recommendation	Pro Honda HP Coolant or an equivalent high quality ethylene glycol antifreeze containing corrosion protection inhibitors specifically recommended for use in aluminum engines
cooling system, capacity	3.33 US qt (3.15 ℓ)

Specifications

Capacities	
passenger capacity	operator, one passenger
maximum weight capacity	USA : 366 lbs (166 kg) Canada : 375 lbs (170 kg) rider, passenger, all cargo and accessories

Engine Specifications	
displacement	36.5 cu-in (599 cm ³)
bore & stroke	2.64 × 1.67 in (67.0 × 42.5 mm)
compression ratio	12.2 : 1
spark plug (standard)	IMR9C-9HES (NGK) or VUH27D (DENSO)
spark plug gap	0.031 – 0.035 in (0.80 – 0.90 mm) no adjustment
valve clearance (cold)	intake 0.008 in (0.20 mm) exhaust 0.011 in (0.28 mm)
idle speed	1,400 ± 100 rpm

Specifications

Power Transmission	
primary reduction	2.111
gear ratio, 1st	2.750
2nd	2.000
3rd	1.667
4th	1.444
5th	1.304
6th	1.208
final reduction	2.625
standard sprocket sizes	drive (front) sprocket: 16 teeth driven (rear wheel) sprocket: 42 teeth
final drive	chain DID525HV or RK525ROZ6

Specifications

Chassis & Suspension	
caster	23°55'
trail	3.9 in (98 mm)
tire size, front	120/70ZR17M/C (58W) DUNLOP Qualifier PTG BRIDGESTONE BT015F RADIAL E
tire size, rear	180/55ZR17M/C (73W) DUNLOP Qualifier PTG BRIDGESTONE BT015R RADIAL E
tire type	radial-ply, tubeless
tire pressure, front (cold)	36 psi (250 kPa , 2.50 kgf/cm ²)
tire pressure, rear (cold)	42 psi (290 kPa , 2.90 kgf/cm ²)

Specifications

Electrical	
battery	12V – 8.6 Ah
generator	0.342 kW/5,000 rpm

Lights	
headlight	12V – 55W (2 bulbs)
brake/tail light	LED
turn signal lights	12V – 23/8W (front) 12V – 23W (rear)
position light	LED
license light	LED

Fuses	
main	30A
other fuses	10A, 20A

Specifications

Torque Specifications	
engine oil drain bolt	22 lbf·ft (30 N·m , 3.1 kgf·m)
engine oil filter	19 lbf·ft (26 N·m , 2.7 kgf·m)
front wheel axle bolt	44 lbf·ft (59 N·m , 6.0 kgf·m)
front wheel caliper fixing bolts	33 lbf·ft (45 N·m , 4.6 kgf·m)
front wheel axle pinch bolts	16 lbf·ft (22 N·m , 2.2 kgf·m)
rear wheel axle nut	83 lbf·ft (113 N·m , 11.5 kgf·m)

Break-in Guidelines

Help assure your motorcycle's future reliability and performance by paying extra attention to how you ride during the first 300 miles (500 km).

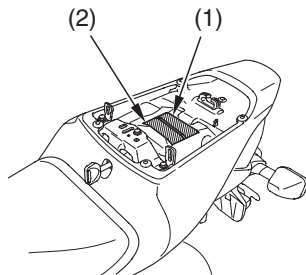
During this period, avoid full-throttle starts and rapid acceleration.

Emission Control Systems

Exhaust Emission Requirements

The U.S. Environmental Protection Agency (EPA), the California Air Resources Board (CARB), and Environment Canada require that your motorcycle comply with applicable exhaust emissions standards during its useful life, when operated and maintained according to the instructions provided.

The Vehicle Emission Control Information label (1) (2) is attached on the rear fender under the rear seat.



- (1) vehicle emission control information label
- (2) vehicle emission control information label (Canada only)

Emission Control Systems

Noise Emission Requirements

The EPA also requires that motorcycles built after January 1, 1983 comply with applicable noise emission standards for one year or 3,730 miles (6,000 km) after the time of sale to the ultimate purchaser, when operated and maintained according to the instructions provided. (USA only)

Warranty Compliance

Compliance with the terms of the Distributor's Warranties for Honda Motorcycle Emission Control Systems is necessary in order to keep the emissions system warranty in effect. (USA only)

Source of Exhaust Emissions

The combustion process produces carbon monoxide (CO), oxides of nitrogen (NOx) and hydrocarbons (HC). Control of hydrocarbons and oxides of nitrogen is very important because, under certain conditions, they react to form photochemical smog when subjected to sunlight. Carbon monoxide does not react in the same way, but it is toxic.

Honda Motor Co., Ltd. utilizes various systems to reduce carbon monoxide, oxides of nitrogen and hydrocarbons.

Emission Control Systems

Exhaust Emission Control System

The exhaust emission control system includes an oxidation catalyst, a secondary air supply system, and a PGM-FI system.

No adjustment to these systems should be made although periodic inspection of all components is recommended.

PGM-FI System

The PGM-FI system uses dual sequential fuel injection. It has four subsystems: Air Intake, Engine Control, Fuel Control, and Exhaust Control.

The Engine Control Module (ECM) uses various sensors to determine how much air is going into the engine. It then controls how much fuel to inject under all operating conditions.

Ignition Timing Control System

The system constantly adjusts the ignition timing, reducing the amount of HC, CO and NOx produced.

Emission Control Systems

Secondary Air Injection System

The secondary air injection system introduces filtered air into the exhaust gases in the exhaust port. The secondary air injection system helps improve emission performance.

Oxidation Catalytic Converter

The oxidation catalytic converter is in the exhaust system. Through chemical reactions, they convert HC and CO in the engine's exhaust to carbon dioxide (CO₂) and water vapor.

Evaporative Emission Control System (California only)

This motorcycle complies with the requirements of the California Air Resources Board (CARB) evaporative emission regulations. Fuel vapor from the fuel tank is directed into the charcoal canister and air cleaner where it is adsorbed and stored while the engine is stopped. When the engine is running and the purge control solenoid valve is open, fuel vapor in the charcoal canister and air cleaner is drawn into the engine through the throttle body.

Emission Control Systems

Crankcase Emission Control System

The engine is equipped with a closed crankcase system to prevent discharging crankcase emissions into the atmosphere. Blow-by gas is returned to the combustion chamber through the air cleaner and the intake manifold.

Problems That May Affect Motorcycle Exhaust Emissions

If you are aware of any of the following symptoms, have the vehicle inspected and repaired by your authorized Honda motorcycle dealer.

Symptoms:

1. Hard starting or stalling after starting
2. Rough idle
3. Misfiring or backfiring during acceleration
4. After-burning (backfiring)
5. Poor performance (driveability) and poor fuel economy

Emission Control Systems

Noise Emission Control System TAMPERING WITH THE NOISE CONTROL SYSTEM IS PROHIBITED:

U. S. federal law prohibits, or Canadian provincial laws may prohibit the following acts or the causing thereof: (1) The removal or rendering inoperative by any person, other than for purposes of maintenance, repair or replacement, of any device or element of design incorporated into any new vehicle for the purpose of noise control prior to its sale or delivery to the ultimate purchaser or while it is in use; or (2) the use of the vehicle after such device or element of design has been removed or rendered inoperative by any person.

AMONG THOSE ACTS PRESUMED TO CONSTITUTE TAMPERING ARE THE FOLLOWING ACTS:

1. Removal of, or puncturing the muffler, baffles, header pipes or any other component which conducts exhaust gases.
2. Removal of, or puncturing of any part of the intake system.
3. Lack of proper maintenance.
4. Replacing any moving parts of the vehicle, or parts of the exhaust or intake system, with parts other than those specified by the manufacturer.

Catalytic Converter

This motorcycle is equipped with an oxidation catalytic converter.

The catalytic converter contains precious metals that serve as catalysts, promoting chemical reactions to convert the exhaust gasses without affecting the metals.

The catalytic converter acts on HC and CO. A replacement unit must be an original Honda part or its equivalent.

The catalytic converter must operate at a high temperature for the chemical reactions to take place. It can set fire to any combustible materials that come near it. Park your motorcycle away from high grasses, dry leaves, or other flammables.

A defective catalytic converter contributes to air pollution, and can impair your engine's performance. Follow these guidelines to protect your motorcycle's catalytic converter.

- Always use unleaded gasoline. Even a small amount of leaded gasoline can contaminate the catalyst metals, making the catalytic converter ineffective.
- Keep the engine tuned-up.
- An engine that is misfiring may overheat the catalytic converter, causing damage to the converter or motorcycle. Have your motorcycle diagnosed and repaired if it is misfiring, backfiring, stalling or otherwise not running properly.

Oxygenated Fuels

Some conventional gasolines are being blended with alcohol or an ether compound. These gasolines are collectively referred to as oxygenated fuels. To meet clean air standards, some areas of the United States and Canada use oxygenated fuels to help reduce emissions. If you use an oxygenated fuel, be sure it is unleaded and meets the minimum octane rating requirement.

Before using an oxygenated fuel, try to confirm the fuel's contents. Some states/provinces require this information to be posted on the pump.

The following are the EPA-approved percentages of oxygenates:

ETHANOL (ethyl or grain alcohol) 10%
by Volume

You may use gasoline containing up to 10% ethanol by volume. Gasoline containing ethanol may be marketed under the name "Gasohol".

MTBE (Methyl Tertiary Butyl Ether) 15%
by Volume

You may use gasoline containing up to 15% MTBE by volume.

METHANOL (methyl or wood alcohol) 5% by Volume

You may use gasoline containing methanol containing up to 5% methanol by volume as long as it also contains cosolvents and corrosion inhibitors to protect the fuel system. Gasoline containing more than 5% methanol by volume may cause starting and/or performance problems. It may also damage metal, rubber, and plastic parts of your fuel system.

If you notice any undesirable operating symptoms, try another service station or switch to another brand of gasoline.

Fuel system damage or performance problems resulting from the use of an oxygenated fuel containing more than the percentages of oxygenates mentioned above are not covered under warranty.

Oxygenated fuels can damage paint and plastic. Be careful not to spill fuel when filling the fuel tank. Wipe up any spills immediately.

NOTICE

Oxygenated fuels can damage paint and plastic. Damage caused by spilled fuel is not covered by warranty.

Consumer Information

This section contains information on your warranty and how to get an official Honda Service Manual.

Authorized Manuals	222
Warranty Coverage	225
Warranty Service.....	226
Contacting Honda.....	227
Your Honda Dealer	228
The Honda Rider's Club (USA only)	229
Reporting Safety Defects (USA only)	231

Authorized Manuals

The Service Manual used by your authorized Honda dealer is available from Helm, Inc. (USA only, Canada: See your Honda dealer to order authorized manuals.)

Also available but not necessary to service your model is the Honda Common Service Manual which explains theory of operation and basic service information for various systems common to all Honda motorcycles, motor scooters and ATVs.

These Honda manuals are written for the professional technician, but most mechanically-capable owners should find them easy to use if they have the proper tools and observe proper safety standards. Special Honda tools are necessary for some procedures.

Publication Item No.	Description	Price Each*
61MFJ00	2007 CBR600RR Service Manual	\$60.00
61CM002	Common Service Manual	\$48.00
31MFJ600	2007 CBR600RR Owner's Manual	\$16.00
<i>* Prices are subject to change without notice and without incurring obligation.</i>		

Order On-Line: www.helminc.com

Order Toll Free: 1-888-CYCLE93 (1-888-292-5393)

(NOTE: For Credit Card Orders Only)

Monday — Friday 8:00 AM — 6:00 PM EST

OR

By completing this form you can order the materials desired. You can pay by check or money order, or charge to your credit card. Mail to Helm, Inc. at the address shown on the back of this order form (USA only).

Canada: See your Honda dealer to order authorized manuals.

Publication Item No.	Item Description	Qty.	Price Each*	Total Price
*Prices are subject to change without notice and without incurring obligation. Orders are mailed within 10 days. Please allow adequate time for delivery.	Sub Total			
	Purchaser's Sales Tax			
	Mich. Add 6 %			
	Calif. Add 8.25 %			
			Handling Charge	\$5.00
			Grand Total	

SHIP TO

NOTE: Dealers and Companies please provide dealer or company name, and also the name of the person to whose attention the shipment should be sent.

Customer Name _____ Attention _____

Street Address - No P. O. Box Number _____ Apartment Number _____

City _____ State _____ Zip Code _____

Daytime Telephone Number () _____

PAYMENT

Check or money order enclosed payable to Helm Inc.
U.S. funds only. Do not send cash.

Check here if your billing address is different from the
shipping address shown above.

MasterCard

Account Number

--	--	--	--	--

--	--	--	--	--

--	--	--	--	--

--	--	--	--	--

Expiration: Mo. Yr.

--	--	--	--

VISA

Discover

Customer Signature _____ Date _____

These Publications cannot be returned for credit without receiving advance authorization within 14 days of delivery. On returns, a restocking fee may be applied against the original order.

HELM P.O. BOX 07280, DETROIT, MICHIGAN 48207

Warranty Coverage

Your new Honda is covered by these warranties:

- Motorcycle Limited Warranty
- Exhaust Emission Warranty
- Noise Control Warranty

There are responsibilities, restrictions, and exclusions which apply to these warranties. Please read the Warranties Booklet given to you by your Honda dealer at the time of purchase. Be sure to keep your Honda owner's card with your Warranties Booklet (USA only).

It is important to realize that your warranty applies to defects in material or workmanship of your Honda. Your warranty coverage does not apply to normal wear or deterioration associated with using the motorcycle.

Your warranty coverage will not be voided if you choose to perform your own maintenance. However, you should have the proper tools and service information and be mechanically qualified. Failures that occur due directly to improper maintenance are not covered.

Almost all of your warranty coverage can be extended through the Honda Protection Plan (USA only). For more information, see your Honda dealer.

Warranty Service

Please remember that recommended maintenance interval servicing is not included in your warranty coverage. Additionally, your warranty does not apply to the normal wear of items (such as brakes, tires, etc.).

If you believe you have a problem with your motorcycle, call the service department of your Honda dealer. Make an appointment for an inspection and diagnosis. Remember, as the owner of the motorcycle, you will be asked to authorize that inspection. Your dealer will give you the results of the inspection. If the problem is covered under warranty, your dealer will perform the warranty repairs for you.

If you have questions about warranty coverage or the nature of the repair, it is best to talk to the service manager of your Honda dealer.

Sometimes, in spite of the best intentions of all concerned, a misunderstanding may occur. If you aren't satisfied with your dealer's handling of the situation, we suggest you discuss your problem with the appropriate member of the dealership's management team. If the problem has already been reviewed with the Service Manager, Parts Manager, Sales Manager, etc., contact the Owner of the dealership or their designated representative.

Contacting Honda

Your owner's manual was written to cover most of the questions you might ask about your Honda. Any questions not answered in the owner's manual can be answered by your Honda dealer. If your dealer doesn't have the answer right away, they will get it for you.

If you have a difference of opinion with your dealer, please remember that each dealership is independently owned and operated. That's why it's important to work to resolve any differences at the dealership level.

If you wish to comment on your experiences with your Honda or with your dealer, please send your comments to the following address (USA only):

Motorcycle Division, American Honda Motor Co., Inc., P.O. Box 2200, Torrance, CA 90509-2200, mailstop: 100-4C-7B, telephone: (866) 784-1870.

Canada: Refer to the Warranties Booklet that was supplied with your vehicle.

Please include the following information in your letter:

- name, address, and telephone number
- product model, year, and VIN
- date of purchase
- dealer name and address

We will likely ask your Honda dealer to respond, or possibly acknowledge your comments directly.

Your Honda Dealer

Once you purchase your new Honda, get familiar with the organization of your Honda dealer so you can utilize the full range of services available.

The service department is there to perform regular maintenance and unexpected repairs. It has the latest available service information from Honda. The service department will also handle warranty inspections and repairs.

The parts department offers Genuine Honda parts, Pro Honda products, Hondaline accessories (USA only), and Honda accessories and products (Canada only). The same quality that went into your Honda can be found in Genuine Honda replacement parts. You'll also find comparable quality in the accessories and

products available from the parts department.

The sales department offers the Honda Protection Plan to extend almost all of your warranty coverage (USA only). Your Honda dealer can inform you about competition and other riding events in your area. You'll also find that your dealer is a source of information about American Honda's Rider Education Centers and the Honda Rider's Club of America (USA only).

We're sure you'll be as pleased with the service your Honda dealer continues to provide after the sale as you are with the quality and dependability of your Honda.

The Honda Rider's Club (USA only)

One of the best ways to get the most enjoyment from owning and riding your Honda is through the Honda Rider's Club of America. Your purchase of a new motorcycle, scooter, ATV or PWC from a participating U.S. Honda dealer entitles you to a complimentary one-year membership in the Club. There are hundreds of HRCA Chapter-sponsoring dealers across the USA with events and activities almost every weekend.

Membership benefits include:

- 24-hour, toll-free roadside assistance for your new Honda (includes roadside assistance for your transport vehicle [up to one ton] as long as your Honda is aboard or in tow). *For street-legal motorcycles and scooters only.*
- An exclusive HRCA website complete with access to the official Honda

Common Service Manual, contests, insider information and more.

- Reimbursement (up to \$75) for successful completion of a Motorcycle Safety Foundation training course. Separate, complimentary training from the Specialty Vehicle Institute of America for purchasers of new ATVs.
- One full year of *Honda Red Rider* magazine (six issues).
- Discounts from HRCA partners for experienced rider courses.
- Discounted vehicle insurance from the HRCA's insurance partner.
- Racing contingency programs and assistance at selected dual-sport, off-road and motocross events for off-road motorcycles and selected ATVs.

The Honda Rider's Club (USA only)

If you purchased an off-road motorcycle, ATV or PWC, your benefits do not include roadside assistance or trip interruption protection.

Contact your Honda dealer for more information or call: 1-800-847-4722 or log on to www.hrca.honda.com.

Reporting Safety Defects (USA only)

If you believe that your vehicle has a defect which could cause a crash or could cause injury or death, you should immediately inform the National Highway Traffic Safety Administration (NHTSA) in addition to notifying American Honda Motor Co., Inc.

If NHTSA receives similar complaints, it may open an investigation, and if it finds that a safety defect exists in a group of vehicles, it may order a recall and remedy campaign. However, NHTSA cannot become involved in individual problems between you, your dealer, or American Honda Motor Co., Inc.

To contact NHTSA, you may call the Vehicle Safety Hotline toll-free at 1-888-327-4236 (TTY: 1-800-424-9153); go to <http://www.safercar.gov>; or write to: Administrator, NHTSA, 400 Seventh Street, SW., Washington, DC 20590. You can also obtain other information about motor vehicle safety from <http://www.safercar.gov>.

Table of Contents

The following presents the contents of each section of your owner's manual.

MOTORCYCLE SAFETY	1
Important Safety Information	2
Accessories & Modifications	5
Safety Labels	7
INSTRUMENTS & CONTROLS	9
Operation Component Locations	11
Gauges, Indicators & Displays	14
Fuel Gauge	22
Multi-function Display	24
Coolant Temperature Meter	25
Speedometer	27
Odometer/Tripmeter A & B	28
Changing the Speed, Mileage and Temperature Unit	29
Digital Clock	31

Controls & Features	34
Ignition Switch	34
Start Button	35
Engine Stop Switch	35
Headlight Dimmer Switch	36
Turn Signal Switch	36
Horn Button	37
RESET Button	37
SEL Button	37
HESD (Honda Electronic Steering Damper)	38

Table of Contents

BEFORE RIDING.....	39
Are You Ready to Ride?	40
Protective Apparel.....	40
Rider Training	42
Is Your Motorcycle Ready to Ride?	43
Pre-ride Inspection	43
Load Limits & Guidelines.....	46
Loading	46
Load Limits	47
Loading Guidelines	47

BASIC OPERATION & RIDING.....	49
Safe Riding Precautions	50
Starting & Stopping the Engine	51
Preparation.....	51
Starting Procedure	52
Flooded Engine	53
Bank Angle Sensor Ignition Cut-off System	53
How to Stop the Engine	54
Shifting Gears.....	55
Braking	57
Parking	59
Theft-Prevention Tips	62
Riding with a Passenger or Cargo.....	64

Table of Contents

SERVICING YOUR HONDA 65

Before You Service Your Honda

The Importance of Maintenance.....	68
Maintenance Safety.....	69
Important Safety Precautions.....	70
Periodic Maintenance.....	72
Maintenance Schedule	74
Maintenance Record.....	79

Service Preparations

Maintenance Component Locations	81
Tool Kit.....	84
Owner's Manual Storage.....	85
Seat Removal.....	86
Lower Fairing Removal	88
Middle Fairing Removal	90

Service Procedures

Fluids & Filters

Fuel	91
Engine Oil & Filter.....	94
Coolant.....	104

Engine

Throttle	108
Clutch System.....	110
Spark Plugs.....	114

Chassis

Suspension.....	120
Brakes	129
Tires	135
Side Stand.....	142
Drive Chain	143

Table of Contents

<u>Electrical</u>	
Battery	150
Appearance Care	155
TIPS.....	163
Storing Your Honda	164
Transporting Your Motorcycle	167
You & the Environment	168

TAKING CARE OF THE UNEXPECTED	169
General Guidelines	170
If Your Engine Quits or Won't Start ..	171
If You Have a Flat Tire	176
If Your Engine Overheats	189
If the Low Oil Pressure Indicator	
Lights	191
If a Fuse Blows.....	192
If You Crash.....	196
If You Lose Your Key	197
If Your Battery Is Low (or Dead)	198

Table of Contents

TECHNICAL INFORMATION	199
Vehicle Identification.....	200
Specifications	203
Break-in Guidelines	210
Emission Control Systems	211
Catalytic Converter	217
Oxygenated Fuels.....	218

CONSUMER INFORMATION	221
Authorized Manuals	222
Warranty Coverage	225
Warranty Service.....	226
Contacting Honda.....	227
Your Honda Dealer	228
The Honda Rider's Club (USA only)	229
Reporting Safety Defects (USA only)	231
TABLE OF CONTENTS	232
INDEX	238

QUICK REFERENCE

Index

A

accessories	5
air pressure, tires.....	135
American Honda, contacting.....	227
apparel, protective	40
appearance care	155
authorized manuals.....	222

B

bank angle sensor	53
battery	150
brakes,	
fluid.....	130
front lever adjustment	129
pad wear.....	133
braking	57
break-in guidelines	210

button,

SEL.....	14, 21, 28, 31, 37
RESET.....	14, 21, 28, 29, 31, 37

C

capacity, fuel	92
care, appearance	155
catalytic converter	217
chain, drive	143
cleaning, appearance care	155
clock, digital	19, 31
clutch system	110
color label	202
compartment, owner's manual.....	85
consumer information	221
controls & features	34
coolant.....	104
coolant temperature meter.....	19, 25, 189
customer service	227

D

- damping, suspension,
 - front 123
 - rear 127
- defects, safety 231
- digital clock 19, 31
- display,
 - check 17
 - multi-function 24
- drive chain 143

E

- emission control systems 211
- engine,
 - flooded 53
 - low oil pressure 191
 - number 201

- oil 94
- overheats 189
- pinging 91
- starting 51
- stop switch 35
- stopping 54
- won't start 171
- environment 168

F

- fairing removal,
 - lower 88, 89
 - middle 90
- flat tire 176
- flooded engine 53

(cont'd)

Index

fuel,	
gauge	22
oxygenated.....	218
recommendation	91
tank capacity	92
fuses	192

G

gap, spark plug	118, 205
gasohol.....	218
gasoline	91
gauges, indicators & displays.....	14

H

headlight dimmer switch	36
helmet holder	61
HESD (Honda Electric Steering Damper)	38

high coolant temperature indicator	14, 20, 26, 189
high beam indicator	14, 21
Honda,	
contacting	227
Rider's Club.....	229
dealer.....	228
service manual.....	222
horn button.....	37

I

identification, vehicle.....	200
ignition cut-off system,	
bank angle.....	53
side stand	51, 142
ignition switch	34
indicators.....	14
inspection, pre-ride	43

K

- key, lost..... 197
- kit, tool..... 84

L

- labels, safety 7
- lamp check..... 15
- limit, weight..... 47
- load limits 47
- loading guidelines..... 47
- lock, steering..... 60
- lower fairing removal..... 88, 89

M

- maintenance,
 - component locations..... 81
 - importance 68
 - periodic 72
 - record 79
 - safety..... 69
 - schedule 74
- manual, service 222
- maximum weight limit 47
- meter check..... 16
- modifications 6

N

- numbers, serial..... 200

Index

O

- odometer 19, 28
- oil,
 - engine..... 94
 - low pressure..... 14, 21, 191
- operation component locations 11
- overheat, engine..... 189
- owner's manual storage..... 85
- oxygenated fuels..... 218

P

- parking 59
- pinging, engine 91
- plugs, spark..... 114
- pre-load, suspension,
 - front 122
 - rear 126

- pre-ride inspection..... 43
- problems, unexpected..... 169
- protective apparel 40

R

- removal,
 - lower fairing 88, 89
 - middle fairing 90
 - seat 86
- reporting safety defects..... 231
- RESET button 14, 21, 28, 29, 31, 37
- rider training 3, 42
- Rider's Club, Honda..... 229

riding,	
basic operation.....	49
clothing	40
precautions.....	50
safety.....	2
safety precautions.....	50
with passenger or cargo.....	64

S

safety,	
important precautions.....	70
labels	7
reporting defects.....	231
riding precautions	50
schedule, maintenance.....	74
seat removal.....	86
SEL button.....	14, 21, 28, 31, 37
sensor, bank angle	53
serial numbers.....	200

service,	
customer.....	227
manuals	222
warranty	226
shifting gears	55
side stand	142
side stand ignition cut-off system..	51, 142
spark knock.....	91
spark plugs	114
specifications	203
speedometer	19, 27
stand, side	142
start button	35
starting,	
engine.....	51
troubleshooting.....	171
steering lock.....	60
stop switch, engine	35

(cont'd)

Index

stopping engine.....	54
storage,	
motorcycle	164
owner's manual	85
suspension,	
front suspension adjustment.....	121
front suspension spring pre-load.....	122
front suspension damping	123
rear suspension adjustment	125
rear suspension spring pre-load.....	126
rear suspension damping	127
switch,	
engine stop.....	35
headlight dimmer.....	36
ignition.....	34
turn signal	36

T

tachometer	14, 18
temperature meter, coolant.....	18, 25, 189
theft prevention tips.....	62
throttle.....	108
tires,	
air pressure.....	135
flat.....	176
replacing	139
tool kit.....	84
training, rider	3, 42
transporting your motorcycle	167
tripmeter.....	19, 28
trouble, unexpected	169
troubleshooting, starting.....	171
turn signal indicators	14, 18

V

vehicle identification no. (VIN)... 200, 201

W

warranty,

coverage..... 225

extended..... 225

service..... 226

washing your motorcycle 157

weight limit..... 47

wheels,

front removal 179

rear removal..... 185

Quick Reference

The following is a brief, but important collection of information you need to know about your Honda. You'll also find space to record important notes.

How To Avoid Costly Repairs

The engine of your Honda can be the most expensive component to repair. Proper maintenance, especially the use of the recommended fluids and filters, prevents premature wear and damage.

Frequent causes of costly repairs are:

- Engine oil: insufficient quantity, improper oil.
- Air cleaner: dirty, leaking because of improper installation (poor seal).

Record important information on the following page:

Quick Reference

VIN	
Engine No.	
Ignition Key No.	
Color Label	
Owner's Name	
Address	
City/State	
Phone	
Dealer's Name	
Address	
City/State	
Phone	
Service Mgr.	

Quick Reference

Scheduled Maintenance	Initial: 600 miles (1,000 km) Regular: every 4,000 miles (6,400 km)
Pre-ride Inspection	Check the following items each time before you ride (page 43): tires & wheels, chain, leaks, loose parts, lights, throttle, brakes, indicators.
Periodic Checks	Check the following items monthly (page 73): tires & wheels, fluids, lights, freeplay, drive chain, fuses, nuts & bolts.
Fuel/Capacity	premium unleaded gasoline, pump octane number 91 or higher 4.76 US gal (18.0 l)
Engine Oil	API Service Classification SG or higher except oils labeled as energy conserving on the circular API service label, SAE 10W-30, JASO T 903 standard MA, Pro Honda GN4 4-stroke oil or equivalent
Maximum Weight Capacity	366 lbs (166 kg) 375 lbs (170 kg) Canada rider, passenger, all cargo and accessories

Quick Reference

Tires	Front: 120/70ZR17M/C (58W) DUNLOP Qualifier PTG or BRIDGESTONE BT015F RADIAL E Rear: 180/55ZR17M/C (73W) DUNLOP Qualifier PTG or BRIDGESTONE BT015R RADIAL E Type: radial-ply, tubeless
Tire Pressure (cold)	Front: 36 psi (250 kPa , 2.50 kgf/cm ²) Rear: 42 psi (290 kPa , 2.90 kgf/cm ²)
Spark Plugs	standard: IMR9C-9HES (NGK) or VUH27D (DENSO)
Coolant	ethylene glycol antifreeze (silicate-free) for aluminum engines in 50/50 solution with Pro Honda HP Coolant or an equivalent distilled water
Fuses	main : 30A other: 10A, 20A