

Models with one display

Pandora®

Play and operate Pandora from your phone through the vehicle's audio system. Visit handsfreelink.honda.com to check phone compatibility. Standard data rates apply.

Available in the U.S. only.

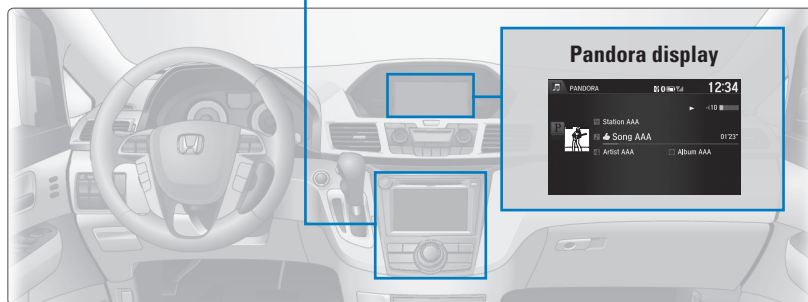
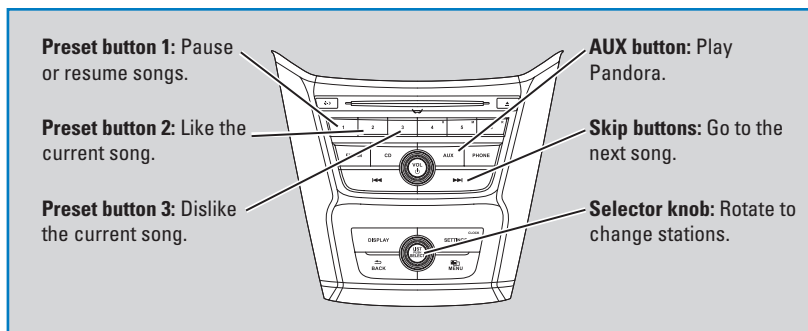
Connect your phone when the vehicle is stopped.

For iPhone:

- Connect via *Bluetooth* HandsFreeLink or USB port.
- A pop-up may appear on your phone requesting you to allow access for Pandora to be launched.
- If you cannot operate Pandora through the audio system, it may be streaming through *Bluetooth* Audio. Make sure Pandora is selected on the audio system.
- If Pandora still does not operate, try rebooting the phone and reconnecting the cable if necessary.

For Android or BlackBerry:

- Connect via *Bluetooth* HandsFreeLink.



Applicable laws may prohibit the operation of handheld electronic devices while operating a vehicle. Launch streaming audio on your phone only when it is safe to do so.