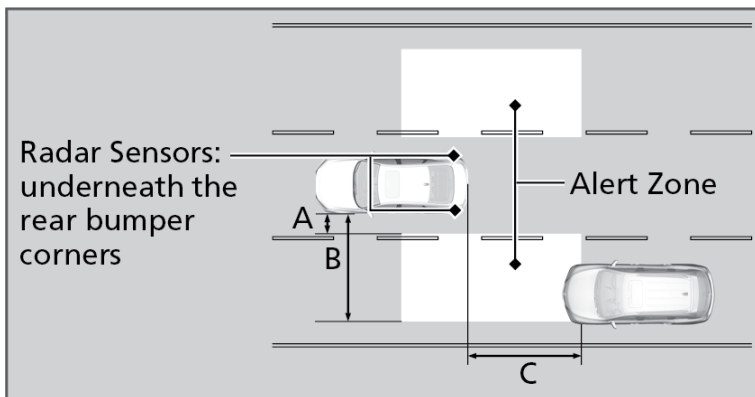


Blind Spot Information System*1

Alerts you to a detected vehicle in your left or right blind spot while driving between 20 mph (32 km/h) and 100 mph (160 km/h). When the system detects vehicles approaching from behind in adjacent lanes, the appropriate indicator comes on for a few seconds, providing assistance when you change lanes.

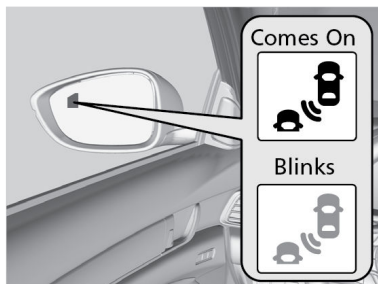


Blind Spot Information System Alert Indicator comes on when:

- A vehicle enters the alert zone from behind to overtake you with a speed difference of no more than 31 mph (50 km/h) from your vehicle.
- You pass a vehicle with a speed difference of no more than 12 mph (20 km/h).

Blinks and the beeper sounds when:

You move the turn signal lever in the direction of the detected vehicle. The beeper sounds three times.



■ Changing Settings

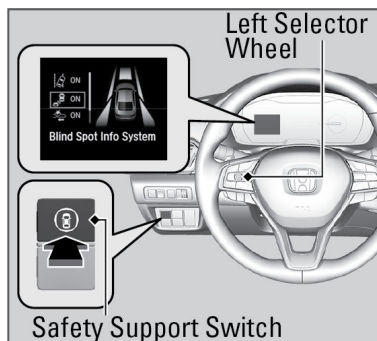
1. From the Home screen, select Settings.
2. Select Vehicle.
3. Select Driver Assist System Setup.
4. Select Blind Spot Info.

■ Turning the System On or Off

When you turn the blind spot information system on and off, do the following.

1. Press the safety support switch.
2. Roll the left selector wheel to the Blind spot information System Alert Indicator symbol and push it.

The blind spot information system is in the previously selected ON or OFF setting each time you start the power system.



■ "Blind Spot Information Not Available" Information Message



The Blind Spot Information Not Available comes on when:

- Comes on when mud, snow, or ice accumulates in the vicinity of sensor.
- Comes on while driving - Stop your vehicle in a safe place and clear the area in the vicinity of the sensor on both sides of the vehicle.

■ Important Safety Reminder

Like all assistance systems, the Blind Spot Information System has limitations. Over-reliance on the system may result in a collision. The system is for your convenience only.

▲ WARNING

Failure to visually confirm that it is safe to change lanes before doing so may result in a crash and serious injury or death.

Do not rely only on the blind spot information system when changing lanes. Always look in your mirrors, to either side of your vehicle, and behind you for other vehicles before changing lanes.