


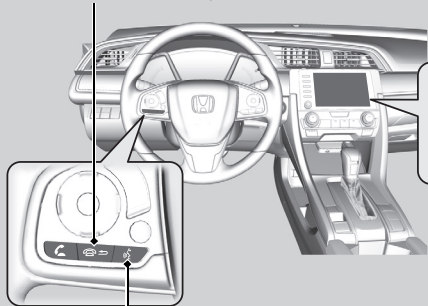
## Siri Eyes Free

You can talk to Siri using the  (Talk) button on the steering wheel when your iPhone is paired to the **Bluetooth**® HandsFreeLink® (HFL) system.

### Using Siri Eyes Free

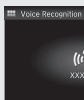
#### (Hang-up/back) Button

Press to deactivate Siri Eyes Free.



#### (Talk) Button

Press and hold until the display changes as shown.



Appears when Siri is activated in Siri Eyes Free

While in Siri Eyes Free:  
The display remains the same.  
No feedback or commands appear.

#### ❖ Siri Eyes Free

Siri is a trademark of Apple Inc.

Check Apple Inc. website for features available for Siri.

We recommend against using Siri other than in Siri Eyes Free mode while operating a vehicle.

#### ❖ Using Siri Eyes Free

Some commands work only on specific phone features or apps.