

License Information

■ Apple

“Made for iPod,” and “Made for iPhone,” mean that an electronic accessory has been designed to connect specifically to iPod, or iPhone, respectively, and has been certified by the developer to meet Apple performance standards. Apple is not responsible for the operation of this device or its compliance with safety and regulatory standards. Please note that the use of this accessory with iPod, or iPhone, may affect wireless performance.

Apple, the Apple Logo, iPhone, iPod touch are trademarks of Apple Inc., registered in the U.S. and other countries. Apple CarPlay, iPod, iPhone, iTunes, Siri and Lightning are trademarks of Apple Inc. App Store is a service mark of Apple Inc.



■ Bluetooth

“The *Bluetooth*® word mark and logos are registered trademarks owned by Bluetooth SIG, Inc. and any use of such marks by Clarion CORPORATION is under license. Other trademarks and trade names are those of their respective owners.”



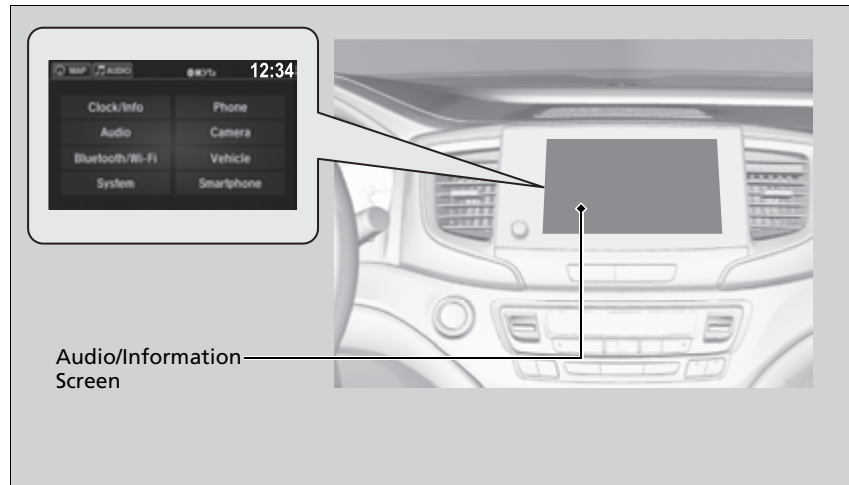
Customized Features

Use the audio/information screen to customize certain features.

■ How to customize

With the power mode in ON, select **Settings**, then select a setting item.

➤ **List of customizable options** P. 308



☒ Customized Features

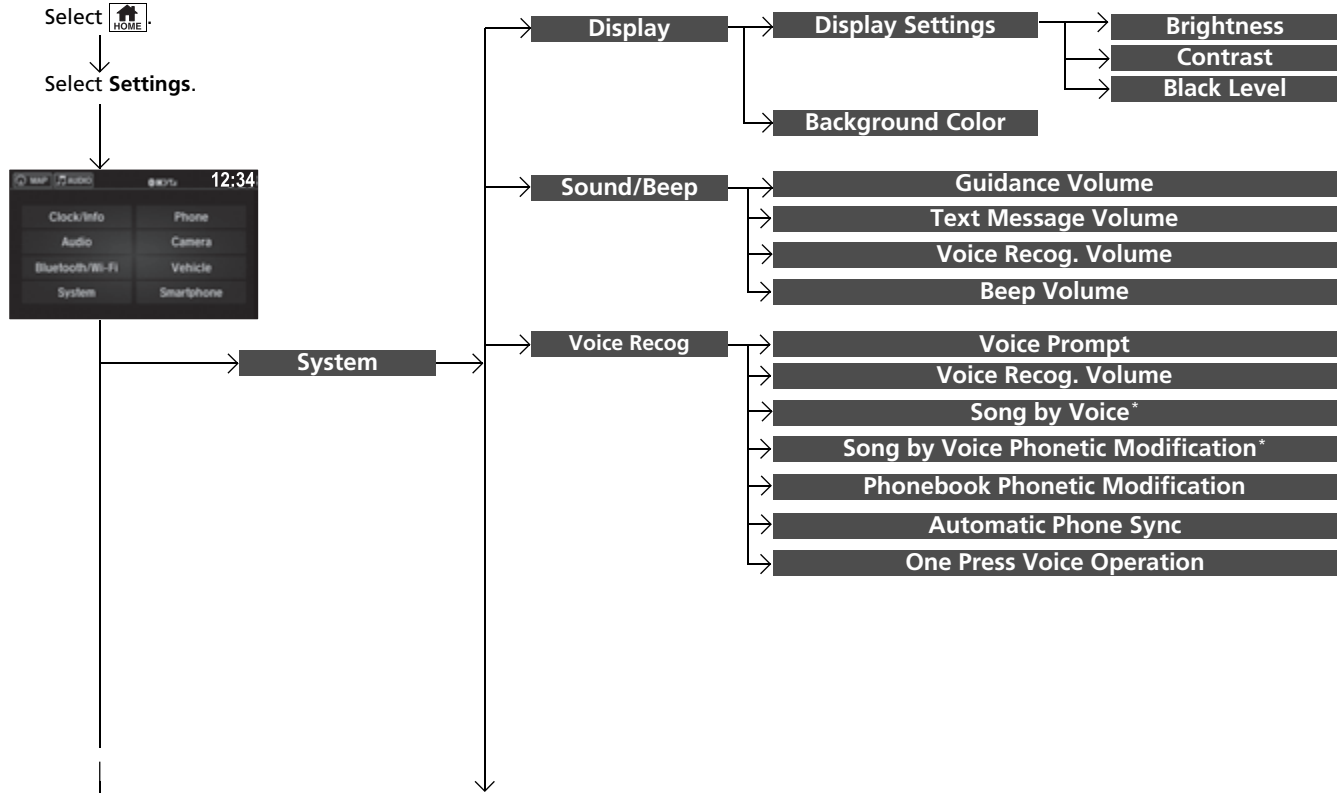
When you customize settings, make sure that the vehicle is at a complete stop and the transmission is in **P**.

To customize features detail, refer to the following.

➤ **Customization flow** P. 300

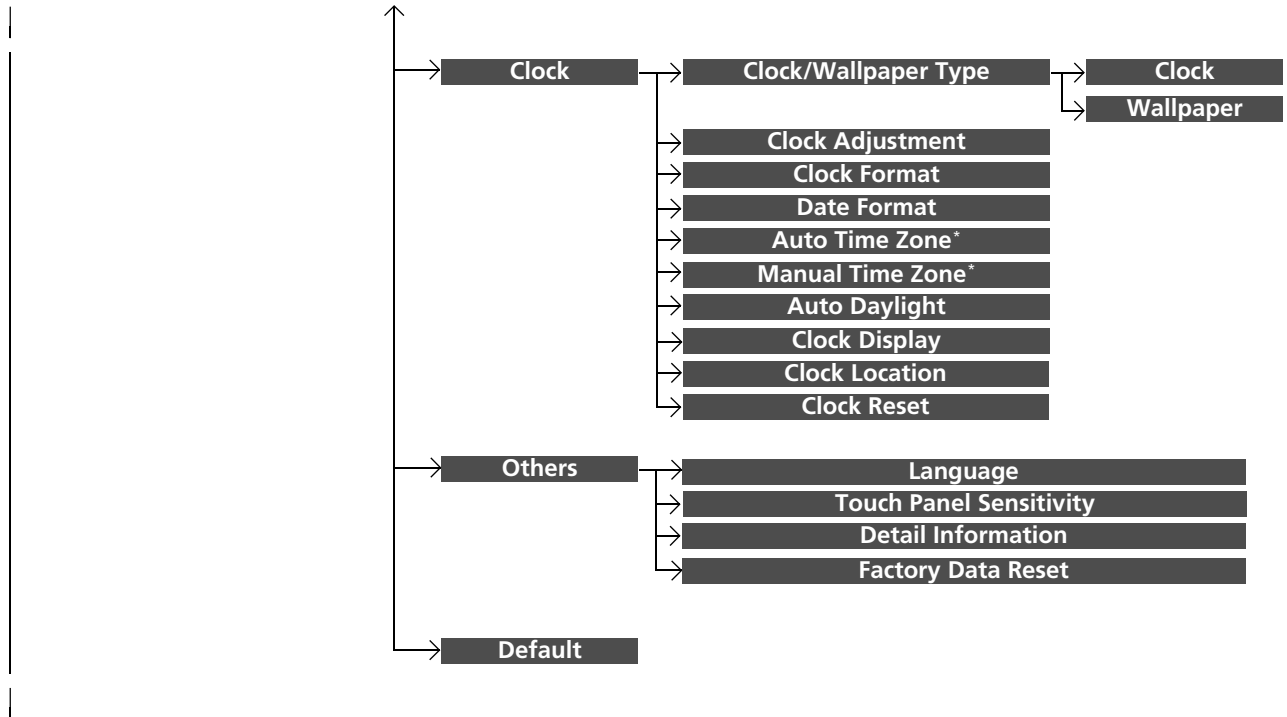
➤ **List of customizable options** P. 308

■ Customization flow

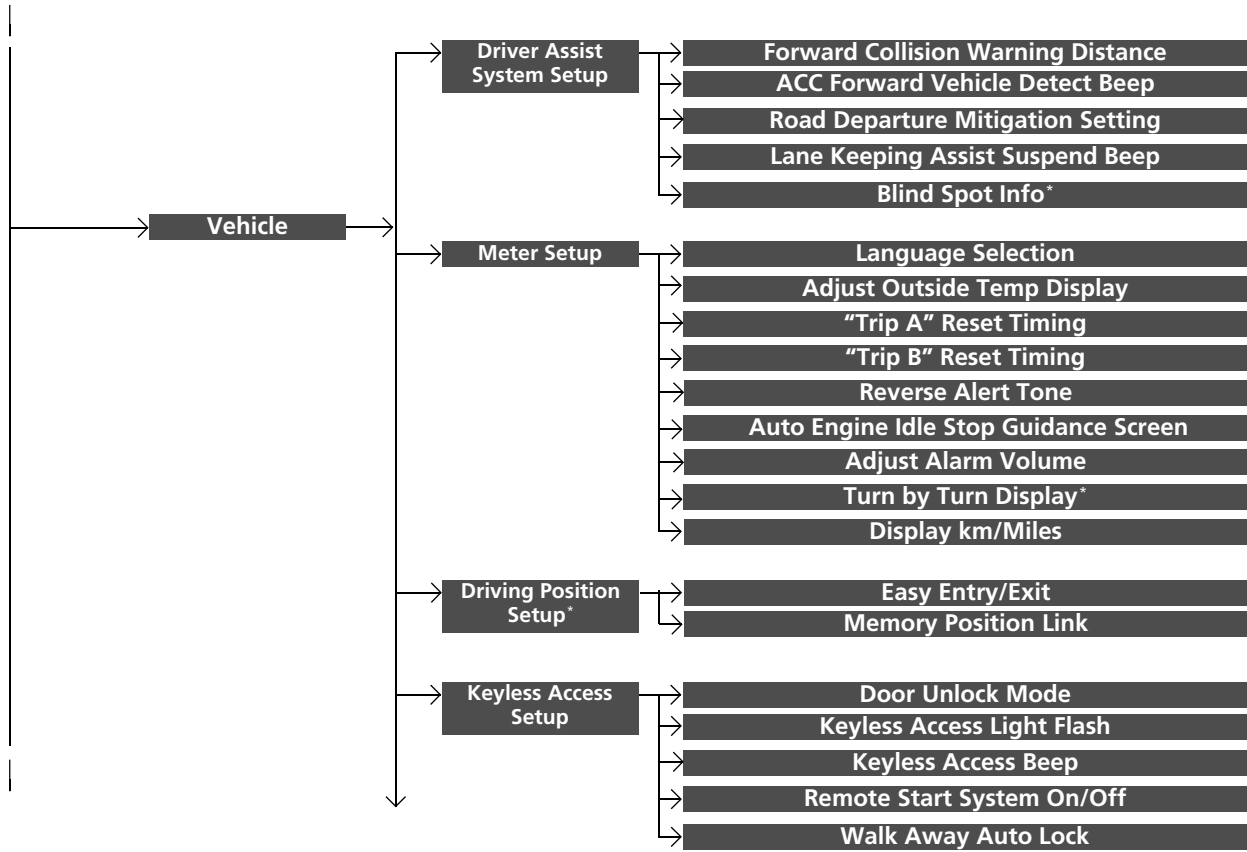


Features

* Not available on all models

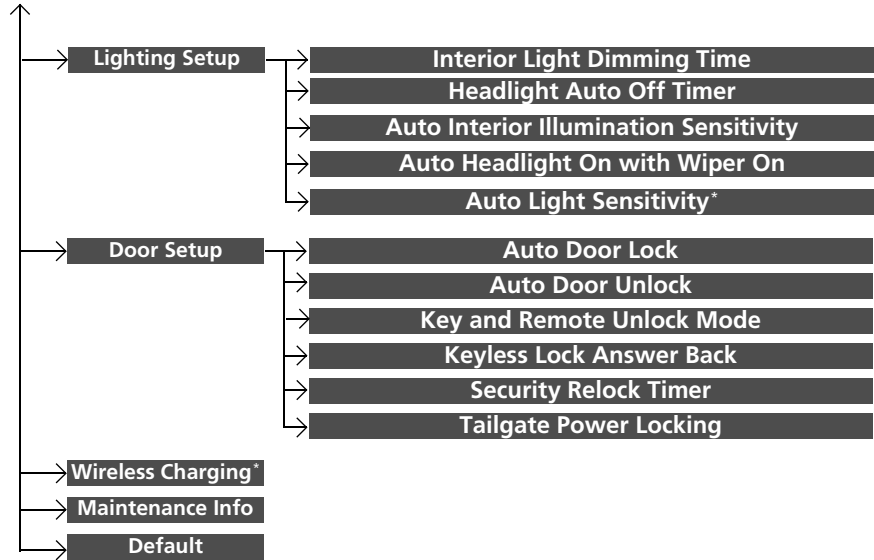


* Not available on all models

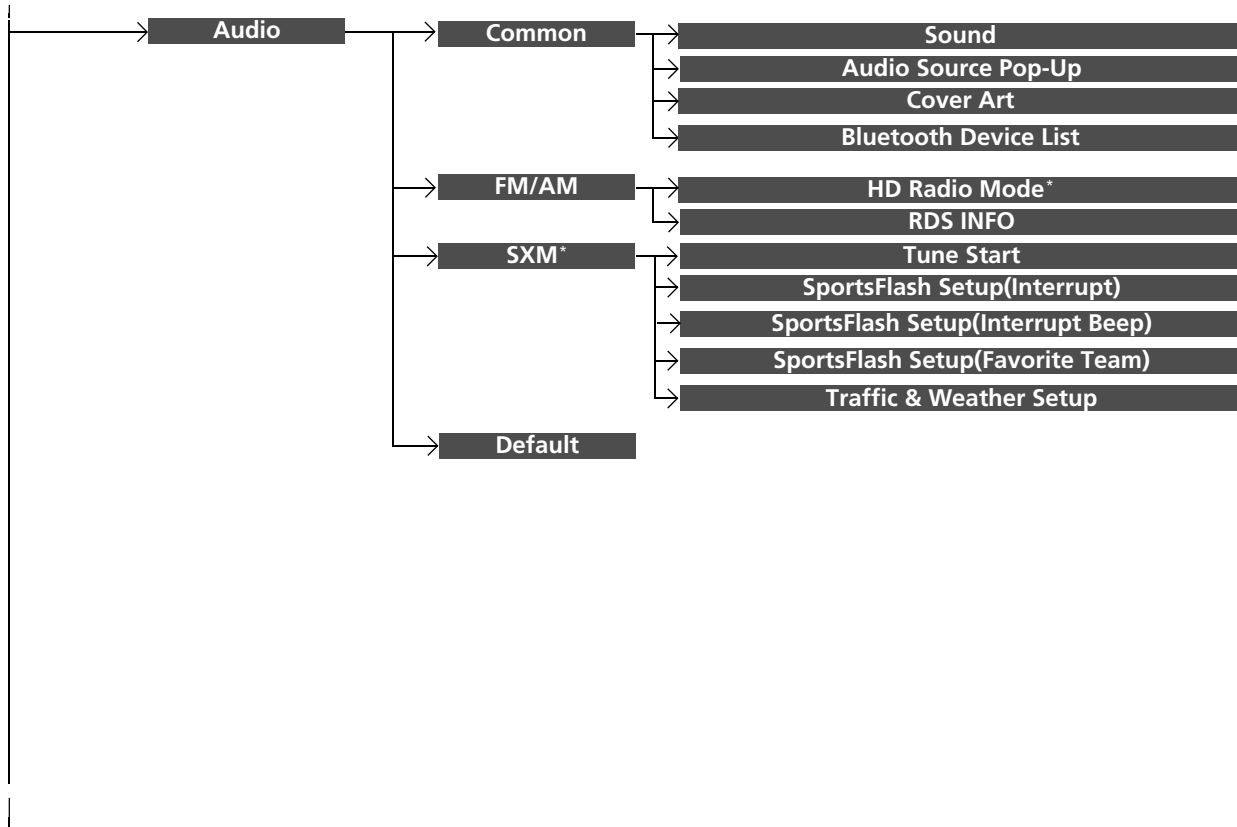


Features

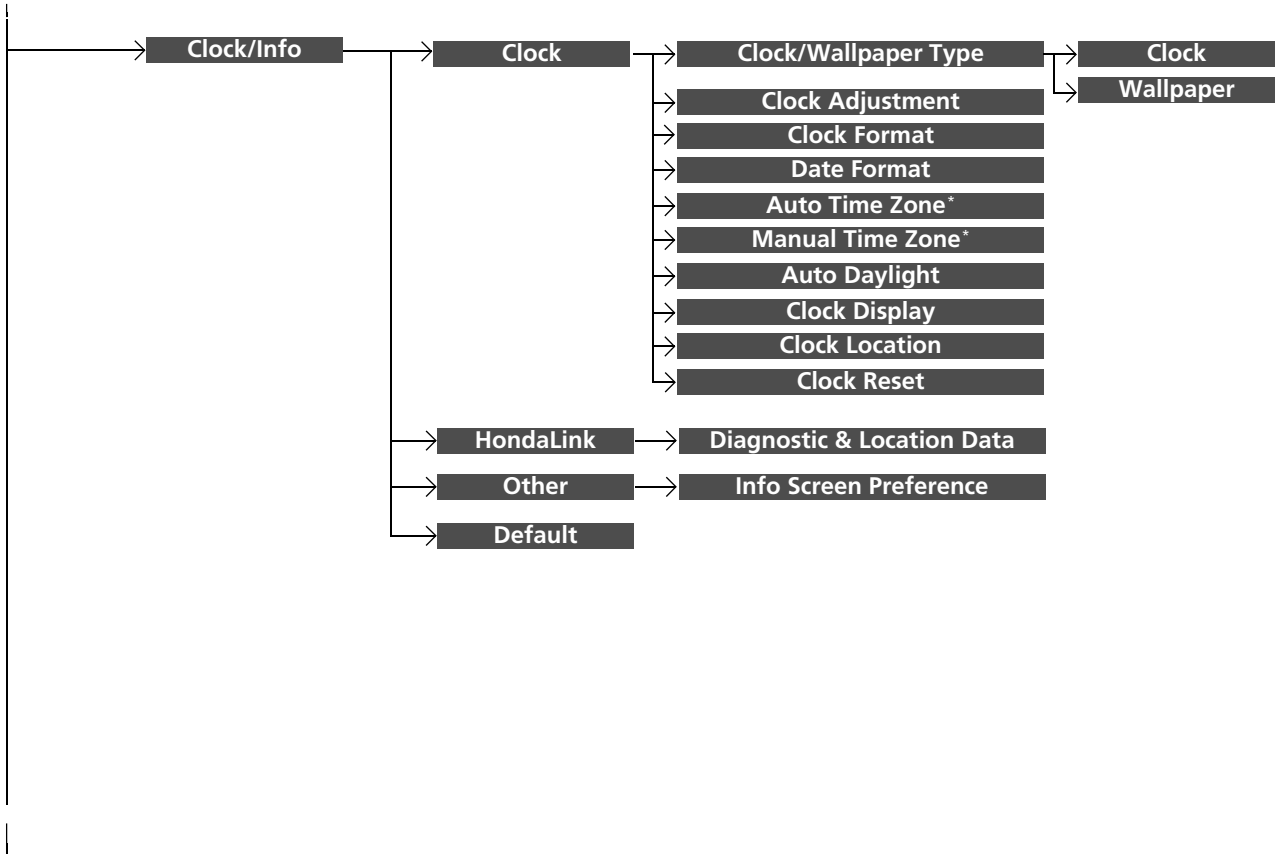
* Not available on all models



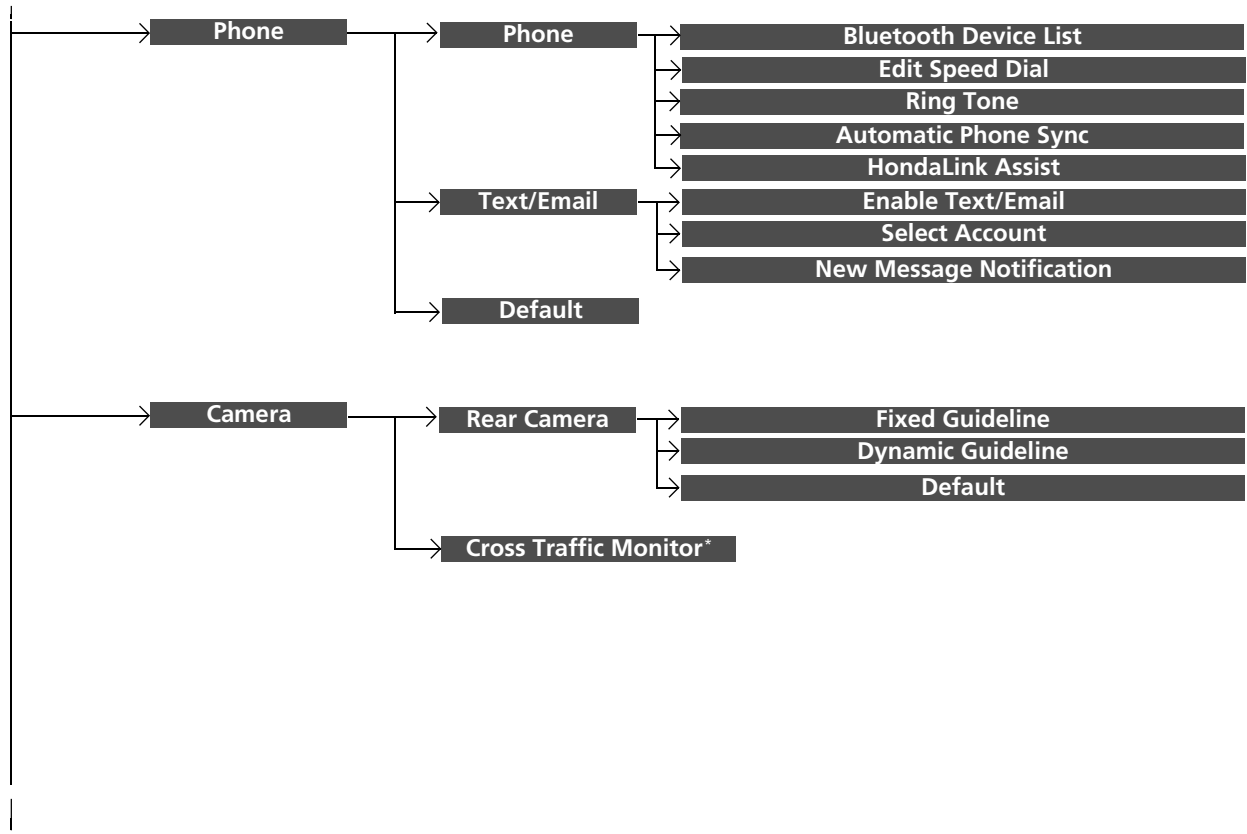
* Not available on all models



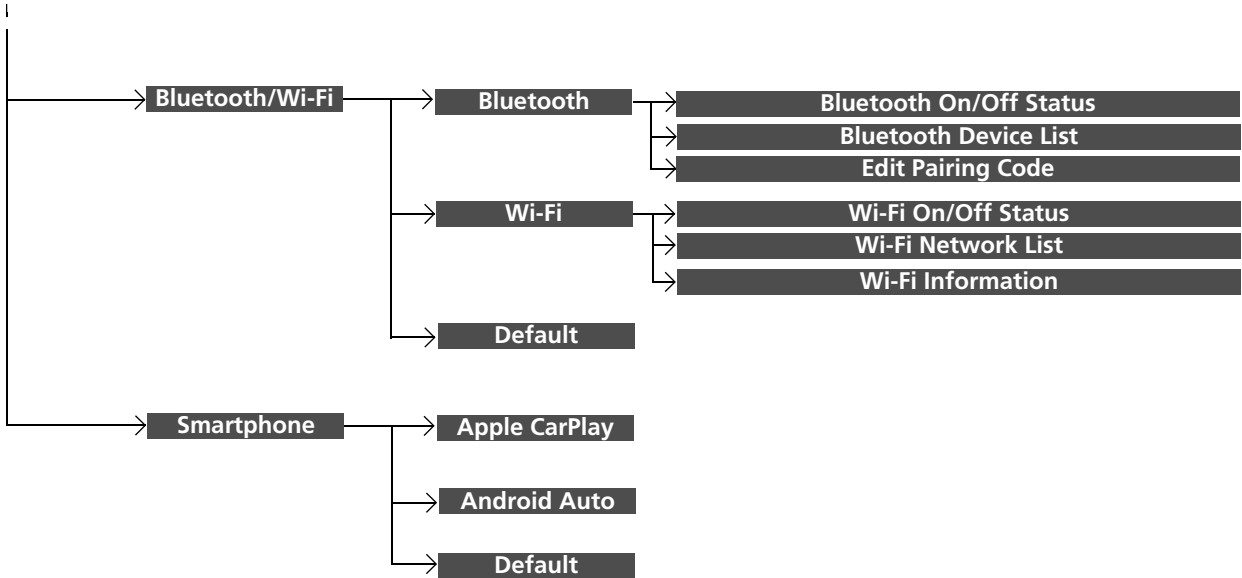
* Not available on all models



* Not available on all models




* Not available on all models



■ List of customizable options

Setup Group	Customizable Features	Description	Selectable Settings	
System	Display Settings	Brightness	Changes the brightness of the audio/information screen.	—
		Contrast	Changes the contrast of the audio/information screen.	—
		Black Level	Changes the black level of the audio/information screen.	—
	Background Color	Changes the background color of the audio/information screen.	Blue^{*1}/Amber/Red/Violet	
	Sound/Beep	Guidance Volume	Changes the sound volume. Adjusts the guidance volume of the navigation system.	1~6^{*1}~11
		Text Message Volume	Changes the text/e-mail message reading volume.	1~6^{*1}~11
		Voice Recog. Volume	Changes the volume of the voice prompt.	1~6^{*1}~11
Beep Volume		Changes the beep volume.	Off^{*1}/1/2/3	

*1: Default Setting

Setup Group	Customizable Features	Description	Selectable Settings	
System	Voice Recog	Voice Prompt	Turns the voice prompt on and off.	On^{*1}/Off
		Voice Recog. Volume	Changes the volume of the voice prompt.	1~6^{*1}~11
		Song by Voice[*]	Turns the Song By Voice™ on and off.	On^{*1}/Off
		Song by Voice Phonetic Modification[*]	Modifies a voice command for music stored in the USB flash drive or an iPod/iPhone. ▶ Phonetic Modification P. 252	—
		Phonebook Phonetic Modification	Modifies a voice command for the phonebook. ▶ Phonebook Phonetic Modification P. 347	—
		Automatic Phone Sync	Sets phonebook and call history data to be automatically imported when a phone is paired to HFL.	On^{*1}/Off
		One Press Voice Operation	Changes the setting of the  (Talk) button operation when using the voice operation.	On/Off^{*1}

*1:Default Setting

Setup Group	Customizable Features	Description	Selectable Settings
System	Clock/ Wallpaper Type	Clock	Changes the clock display type. Analog/Digital*¹/Small Digital/Off
		Wallpaper	<ul style="list-style-type: none"> Changes the wallpaper type. Imports an image file for a new wallpaper. Deletes an image file for a wallpaper. Time Zone/Galaxy*¹/Metallic/Blank
		Clock Adjustment	Adjusts clock. —
		Clock Format	Selects the digital clock display from 12H to 24H. 12H*¹/24H
	Clock	Date Format	Sets the date format. YYYY/MM/DD/ MM/DD/YYYY*¹/ DD/MM/YYYY
		Auto Time Zone*	Sets the navigation system to automatically adjust the clock when driving through different time zones. On*¹/Off
		Manual Time Zone*	Changes the time zone manually. —
		Auto Daylight	Select On to have the GPS automatically adjust the clock to daylight savings time. Select Off to cancel this function. On*¹/Off

*1: Default Setting

* Not available on all models

Setup Group	Customizable Features	Description	Selectable Settings	
System	Clock Display	Selects whether the clock display comes on.	On^{*1}/Off	
	Clock	Clock Location	Changes the clock display layout.	Upper Right^{*1}/Upper Left/Lower Right/Lower Left/Off
		Clock Reset	Resets the clock settings to the factory default.	Yes/No
	Others	Language	Changes the display language.	English^{*1}/French/Spanish
		Touch Panel Sensitivity	Sets the sensitivity of the touch panel screen.	High/Low^{*1}
		Detail Information	Displays the Android setting items.	—
		Factory Data Reset	Resets all the settings to their factory default. <input checked="" type="checkbox"/> Defaulting All the Settings P. 323	Yes/No
		Default	Cancels/Resets all customized items in the System settings group as default.	Yes/No

*1:Default Setting

Setup Group	Customizable Features	Description	Selectable Settings	
Vehicle	Driver Assist System Setup	Forward Collision Warning Distance	Changes at which distance CMBS™ alerts.	Long/Normal*¹/Short
		ACC Forward Vehicle Detect Beep	Causes the system to beep when the system detects a vehicle, or when the vehicle goes out of the ACC range.	On/Off*¹
		Road Departure Mitigation Setting	Changes the setting for the road departure mitigation system.	Normal*¹/Wide/Warning Only
		Lane Keeping Assist Suspend Beep	Causes the system to beep when the LKAS is suspended.	On/Off*¹
		Blind Spot Info*	Changes the setting for the blind spot information.	Audible and Visual Alert*¹/Visual Alert/Off

*1:Default Setting

* Not available on all models

Setup Group	Customizable Features	Description	Selectable Settings	
Vehicle	Meter Setup	Language Selection	Changes the displayed language on the multi-information display.	English^{*1}/French/ Spanish
		Adjust Outside Temp Display	Adjusts the temperature reading by a few degrees.	-5°F ~ ±0°F^{*1} ~ +5°F (U.S.) -3°C ~ ±0°C^{*1} ~ +3°C (Canada)
		"Trip A" Reset Timing	Changes the setting of how to reset trip meter A and average fuel economy A.	With Refuel/IGN Off/ Manually Reset^{*1}
		"Trip B" Reset Timing	Changes the setting of how to reset trip meter B and average fuel economy B.	With Refuel/IGN Off/ Manually Reset^{*1}
		Reverse Alert Tone	Turns the audible notification on and off when you put the transmission into R .	On/Off^{*1}
		Auto Engine Idle Stop Guidance Screen	Turns the engine idle-stop guidance displayed in the meter display on and off during the auto engine idle-stop system is in operation.	On/Off^{*1}
		Adjust Alarm Volume	Changes the alarm volume, such as the buzzers, warnings, turn signal sound, and so on.	High/Mid^{*1}/Low

*1:Default Setting

Setup Group	Customizable Features	Description	Selectable Settings	
Meter Setup	Turn by Turn Display*	Selects whether the turn-by-turn display comes on during the route guidance.	On^{*1}/Off	
	Display km/Miles	Selects the trip computer units.	Auto/km/Miles^{*1} (U.S.) Auto/km^{*1}/Miles (Canada)	
Driving Position Setup*	Easy Entry/Exit	Moves the seat rearward when you get in/get out of the vehicle. Changes the setting for this feature.	On^{*1}/Off	
	Memory Position Link	Turns the driving position memory system on and off.	On^{*1}/Off	
Vehicle	Door Unlock Mode	Changes which doors unlock when you grab the driver's door handle.	Driver Door Only^{*1}/ All Doors	
	Keyless Access Light Flash	Causes some exterior lights to flash when you unlock/lock the doors.	On^{*1}/Off	
	Keyless Access Setup	Keyless Access Beep	Causes the beeper to sound when you unlock/lock the doors.	On^{*1}/Off
		Remote Start System On/Off	Turns the remote engine start feature on and off.	On^{*1}/Off
		Walk Away Auto Lock	Changes the settings for the automatic locking the doors when you walk away from the vehicle while carrying the keyless remote.	Enable/Disable^{*1}

*1: Default Setting

* Not available on all models

Setup Group	Customizable Features	Description	Selectable Settings
Vehicle	Interior Light Dimming Time	Changes the length of time the interior lights stay on after you close the doors.	60 sec/30 sec^{*1}/15 sec
	Headlight Auto Off Timer	Changes the length of time the exterior lights stay on after you close the driver's door.	60 sec/30 sec/ 15 sec^{*1}/0 sec
	Lighting Setup Auto Interior Illumination Sensitivity	Changes the sensitivity of the brightness of the instrument panel when the headlight switch is in the AUTO position.	Min/Low/Mid^{*1}/ High/Max
	Auto Headlight On with Wiper On	Changes the settings for the wiper operation when the headlights automatically come on while the headlight switch is in the AUTO position.	Off/On^{*1}
	Auto Light Sensitivity*	Changes the timing for the headlights to come on.	Max/High/Mid^{*1}/ Low/Min
Door Setup	Auto Door Lock	Changes the setting for the automatic locking feature.	With Vehicle Speed^{*1}/Shift from P/ Off

*1:Default Setting

* Not available on all models

Continued

Setup Group	Customizable Features	Description	Selectable Settings	
Vehicle	Door Setup	Auto Door Unlock	Changes the setting for when the doors unlock automatically.	All Doors with Driver's Door Opens^{*1}/All Doors with Shift to P/All Doors with IGN Off/Off
		Key and Remote Unlock Mode	Sets up either the driver's door or all doors to unlock on the first push of the remote or built-in key.	Driver Door^{*1}/All Doors
		Keyless Lock Answer Back	LOCK/UNLOCK- The exterior lights flash. LOCK (2nd push)- The beeper sounds.	On^{*1}/Off
		Security Relock Timer	Changes the time it takes for the doors to relock and the security system to set after you unlock the vehicle without opening any door.	90 sec/60 sec/30 sec^{*1}
		Tailgate Power Locking	Changes the setting for the tailgate locking feature.	Enable/Disable^{*1}
	Wireless Charging[*]	Turns the wireless charger feature on and off.	ON^{*1}/OFF	
	Maintenance Info	Resets the engine oil life display when you have performed the maintenance service.	—	
	Default	Cancels/Resets all customized items in the Vehicle group as default.	Yes/No	

*1:Default Setting

* Not available on all models

Setup Group	Customizable Features	Description	Selectable Settings	
Audio	Sound	Adjusts the settings of the audio speakers' sound. ▶ Adjusting the Sound P. 229	-6 ~ 0*1 ~ +6 (BASS and TREBLE), RR9~0*1 ~FR9 (FADER), L9~ 0*1~R9 (BALANCE), -6 ~ 0*1 ~ +6 (Center* and Subwoofer), Off/Low/Mid*1/ High (Speed Volume Compensation)	
	Common	Audio Source Pop-Up	Selects whether the list of selectable audio source comes on when Audio is selected on the home screen.	
		iPod or USB mode [Your selected media] Cover Art	Turns the cover art display on and off.	On*1/Off
		Bluetooth Device List	Pairs a new phone to HFL, edits or deletes a paired phone. ▶ Phone Setup P. 338	—
	FM/AM mode FM/AM	HD Radio Mode*	Selects whether the audio system automatically switches to the digital radio waves or receives the analog waves only.	Auto*1/Analog
	RDS INFO	Turns on and off the RDS information.	On*1/Off	

*1:Default Setting

* Not available on all models

Continued

Setup Group	Customizable Features	Description	Selectable Settings
Audio	Tune Start	Turns on and off, starts the song from the beginning as you change preset stations.	On*¹/Off
	SportsFlash Setup (Interrupt)	Turns on and off the sports alert function.	Off*¹/On (one time)/ On (continue)
	SiriusXM® mode SXM* SportsFlash Setup (Interrupt Beep)	Causes the system to beep when there is a sports alert notification.	On/Off*¹
	SportsFlash Setup (Favorite Team)	Selects your favorite sports teams. ▶ Live Sports Alert P. 244	—
	Traffic & Weather Setup	Selects the region you want to receive the information.	—
Default		Cancels/Resets all customized items in the Audio settings group as default.	Yes/No

*1:Default Setting

* Not available on all models

Setup Group	Customizable Features	Description	Selectable Settings	
Clock/ Info	Clock/Wallpaper Type	Clock Wallpaper		
	Clock Adjustment			
	Clock Format			
	Date Format			
	Clock	Auto Time Zone*	See System on P. 310, 311	
		Manual Time Zone*		
		Auto Daylight		
		Clock Display		
		Clock Location		
		Clock Reset		
	HondaLink Diagnostic & Location Data	Turns HondaLink® on and off.		On/Off*1
Other	Info Screen Preference	Changes the information screen type.	Info Top/Info Menu*1/Off	
Default		Cancels/Resets all customized items in the Clock/Info settings group as default.	Yes/No	

*1:Default Setting

* Not available on all models

Continued

Setup Group	Customizable Features	Description	Selectable Settings	
Phone	Bluetooth Device List	Pairs a new phone to HFL, connects or disconnects a paired phone. ➤ Phone Setup P. 338	—	
	Edit Speed Dial	Edits, adds or deletes a speed dial entry. ➤ Speed Dial P. 344	—	
	Ring Tone	Selects the ring tone.	Fixed/Mobile Phone *1	
	Automatic Phone Sync	Sets phonebook and call history data to be automatically imported when a phone is paired to HFL.	On *1/ Off	
	HondaLink Assist	Turns HondaLink® Assist on and off.	On *1/ Off	
	Text/Email	Enable Text/Email	Turns the text/e-mail message function on and off.	On/Off *1
		Select Account	Selects a text or e-mail message account.	—
		New Message Notification	Selects whether a pop-up alert comes on the screen when HFL receives a new text/e-mail messages.	On/Off
Default	Cancels/Resets all customized items in the Phone settings group as default.	Yes/No		

*1:Default Setting

Setup Group	Customizable Features	Description	Selectable Settings
Camera	Rear Camera	Fixed Guideline Selects whether the fixed guidelines come on the rear camera monitor. ▶ Multi-View Rear Camera P. 481	On^{*1}/Off
		Dynamic Guideline Selects whether the dynamic guidelines come on the rear camera monitor. ▶ Multi-View Rear Camera P. 481	On^{*1}/Off
		Default Cancels/Resets all customized items in the Rear Camera setting group as default.	Yes/No
	Cross Traffic Monitor*	Turns on and off the cross traffic monitor.	On^{*1}/Off

*1:Default Setting

Setup Group	Customizable Features	Description	Selectable Settings	
Bluetooth/ Wi-Fi	Bluetooth On/Off Status	Selects to display the <i>Bluetooth</i> ® status.	On*¹/Off	
	Bluetooth	Bluetooth Device List	Pairs a new phone to HFL, edits or deletes a paired phone, or creates a security PIN. ☒ Phone Setup P. 338	—
		Edit Pairing Code	Edits a pairing code. ☒ To change the pairing code setting P. 339	Random/Fixed*¹
	Wi-Fi	Wi-Fi On/Off Status	Changes the Wi-Fi mode.	On/Off*¹
		Wi-Fi Network List	Connects, disconnects, or deletes the Wi-Fi network.	—
		Wi-Fi Information	Shows the Wi-Fi information of the head unit.	—
	Default	Cancels/Resets all customized items in the Bluetooth/Wi-Fi group as default.		Yes/No
Smart-phone	Apple CarPlay	Sets up the Apple CarPlay connection.	—	
	Android Auto	Sets up the Android Auto connection.	—	
	Default	Cancels/Resets all customized items in the Smartphone group as default.		Yes/No

*1: Default Setting