

## Models with one display

**Pandora®**

Play and operate Pandora from your phone through the vehicle's audio system. Visit [handsfreelink.com](http://handsfreelink.com) to check phone compatibility. Standard data rates apply.

**Available in the U.S. only.**

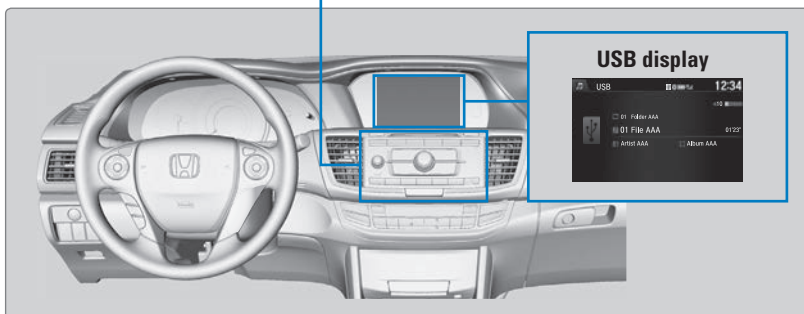
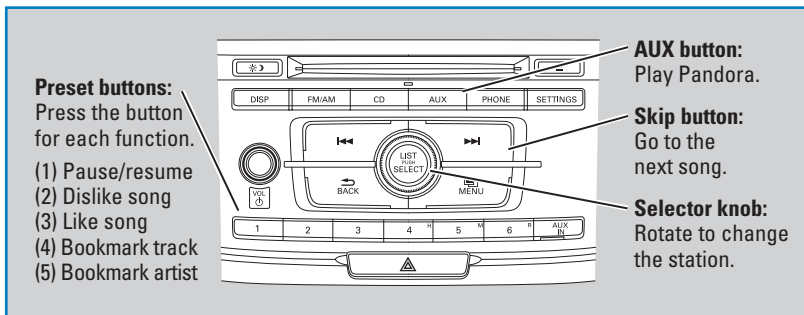
Connect your phone when the vehicle is stopped.

**For iPhone:**

- Connect via *Bluetooth®* HandsFreeLink® or USB port.
- A pop-up may appear on your phone requesting you to allow access for Pandora to be launched.
- If you cannot operate Pandora through the audio system, it may be streaming through *Bluetooth®* Audio. Make sure Pandora is selected on the audio system.
- If Pandora still does not operate, try rebooting the phone and reconnecting the cable if necessary.

**For Android or BlackBerry:**

- Connect via *Bluetooth®* HandsFreeLink®.



*State or local laws may prohibit the operation of handheld electronic devices while operating a vehicle. Only launch streaming audio on your phone when it is safe to do so.*