

AUDIO AND CONNECTIVITY

Learn how to operate the vehicle's audio system.

Basic Audio Operation

Connect audio devices and operate the audio system.

■ USB Port

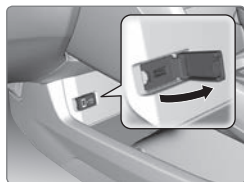
Connect a USB flash drive or other audio device, such as an iPod or iPhone®. Install the flash drive or cable connector to the USB port.

Models with color audio system

The USB port is in the front console and is for playing audio and charging devices.

Models with Display Audio

The USB port is in the front console and is for playing audio, charging devices, and connecting to Apple CarPlay or Android Auto.



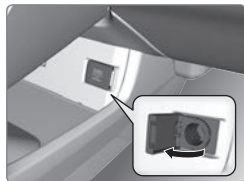
An additional port is inside the center console. It can be used for playing audio and charging devices.



iPod and iPhone are trademarks of Apple, Inc.

■ Accessory Power Socket

Open the socket cover in the front console to use power when the vehicle is on.



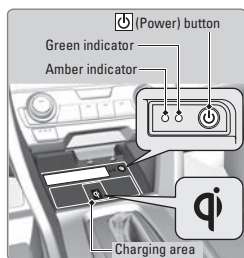
NOTICE

Do not insert an automotive type cigarette lighter element. This can overheat the power socket.

■ Wireless Charger*

Charge your Qi®-compatible device when the vehicle is on.

1. Press and hold the power button. A green indicator appears when the charger is on.
2. Place the chargeable side of the device on the charge area. The system begins charging the device when the amber indicator appears.
3. The green indicator appears when charging is complete. On some devices, the amber indicator may stay on even when charging is complete.



Notes:

- This system consumes a lot of power. It is best to charge your device when the engine is running.
- If the indicator light is blinking, there may be an obstacle between the device and charging area, the device may have moved, or the charger is malfunctioning.
- The device may not charge if you are near strong electromagnetic waves, such as at a gas station.
- The device and charging area may get warm during charging. This is normal.

⚠ CAUTION

Metal objects between the charge pad and the device to be charged will get hot and can burn you.

- Always remove foreign objects from the charge pad before charging the device.
- Be sure the surface is clear of dust and other debris before charging.

NOTICE

- Do not spill liquids on the charger and device.
- Do not use oil, grease, alcohol, benzene, or thinner for cleaning the charge pad.
- Do not cover the system with towels, clothing, or other objects while charging etc.
- Avoid using spraying hair spray, insecticides, etc, that may contact the charge pad surface.
- Do not place any magnetic devices, credit cards, or watches within the charge area while charging. The data on credit cards can be lost, and watches may stop working.

Steering Wheel Controls

You can operate certain functions of the audio system using the steering wheel controls.

Models with information display

SOURCE button: Cycle through available audio modes.

+ / - buttons: Adjust audio volume.

◀ / ▶ buttons: Change presets, tracks, albums, or folders.



FM/AM Radio

Press **◀** or **▶** for the next or previous preset station.

Press and hold **◀** or **▶** to seek the next or previous strong station.

iPod/USB/Bluetooth Audio

Press **◀** or **▶** for the next or previous track.

Press and hold **◀** or **▶** for the next or previous folder (USB).

Models with Driver Information Interface

📶 ⓘ button: Press until the audio screen is displayed in the Driver Information Interface.

+ / - bar: Press the ends of the bar or slide to adjust audio volume.

◀ / ▶ buttons: Change presets, tracks, albums, or folders.



ENTER button: Make audio selections in the Driver Information Interface.

FM/AM/SiriusXM Radio*

Press **◀** or **▶** for the next or previous preset station.

Press and hold **◀** or **▶** to seek the next or previous strong station.

iPod/USB/Bluetooth Audio

Press **◀** or **▶** for the next or previous track.

Press and hold **◀** or **▶** for the next or previous folder (USB).

Pandora*

Press **▶** for the next song.

Press and hold **◀** or **▶** for the previous or next station.

■ Steering Wheel Controls (continued)

Models with Driver Information Interface (continued)

▲ / ▼ buttons: Cycle through available audio modes, or scroll through audio options in the Driver Information Interface

From the audio screen in the Driver Information Interface:

FM/AM/SiriusXM Radio*

Press the ENTER button to display a preset list. Press ▲ or ▼ to scroll the list, and press the ENTER button to select a preset.

USB Flash Drive

Press the ENTER button to display the folder list. Press ▲ or ▼ to scroll the list, and press the ENTER button to select a folder. Repeat to select a track.

iPod

Press the ENTER button to display the iPod list. Press ▲ or ▼ to scroll the category, and press the ENTER button to select an item. Repeat to select a track.

Bluetooth Audio

Press the ENTER button to display the track list. Press ▲ or ▼ to scroll the list, and press the ENTER button to select a track.

Pandora*

Press the ENTER button to display the station list. Press ▲ or ▼ to scroll the list, and press the ENTER button to select a station.

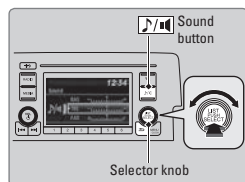
■ Adjusting the Sound

Adjust various sound settings.

Models with color audio system

Use the selector knob to make and enter selections.

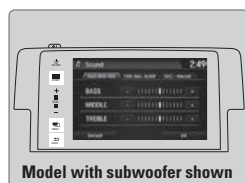
1. Press the Sound button.
2. Select a sound mode to change, and adjust it using the selector knob.
3. Press the Back button to exit the menu.



Models with Display Audio

Make and enter selections using the touchscreen.

1. From the audio screen, select MENU.
2. Select Sound.
3. Select the tabs to change the sound mode and adjust the setting.
4. Select OK when complete.



* if equipped

Models with Display Audio

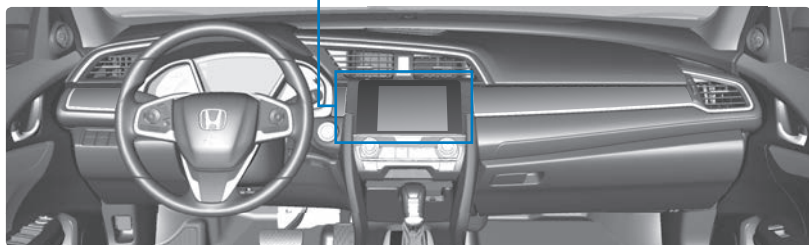
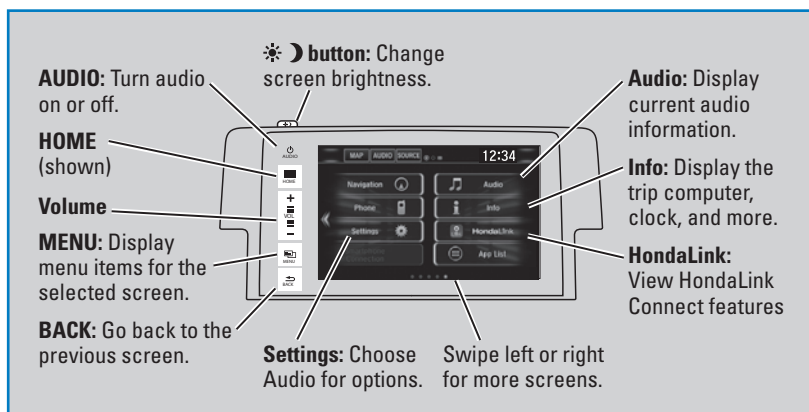
Display Audio Operation

Use simple gestures—including touching, swiping, and scrolling—to operate certain audio functions.

Some items may be grayed out during driving to reduce the potential for distraction. You can select them when the vehicle is stopped or use voice commands*.

Wearing gloves may limit or prevent touchscreen response.

You can use a microfiber cleaning cloth to remove dust or fingerprints from the touchscreen.



Changing Icon Order

You can change the order of the icons on the Home screen.

1. From the HOME screen, select and hold an icon to enter the customization screen.
2. Select and hold the icon you want to move and slide it to a different position.
3. Select OK when complete.



Models with Display Audio

Wi-Fi Connection

You can connect the audio system to the internet using Wi-Fi and use online services through the touchscreen. If your compatible phone has hotspot capabilities, the system can be tethered to the phone. Follow the steps below to set up Wi-Fi when the vehicle is stopped. Standard data rates apply with your phone service provider.

1. From the Home screen, select Settings.
2. Select Bluetooth/Wi-Fi. Select the Wi-Fi tab.
3. Select Wi-Fi On/Off Status, and select On.
4. Select Wi-Fi Device List. Make sure your phone's Wi-Fi setting is in access point (tethering) mode.
5. Select the phone you want to connect to the system. If the phone you want to connect does not appear, select Scan.
6. Select Connect.
7. Enter a password for your phone, if necessary. Select OK. The Wi-Fi symbol is displayed on the list when connection is successful.



Models with Display Audio

FM/AM Radio

Play FM or AM radio stations.

Source: Select the FM or AM icon.

Scan: Scan for each station with a strong signal.

Tune: Change the station.



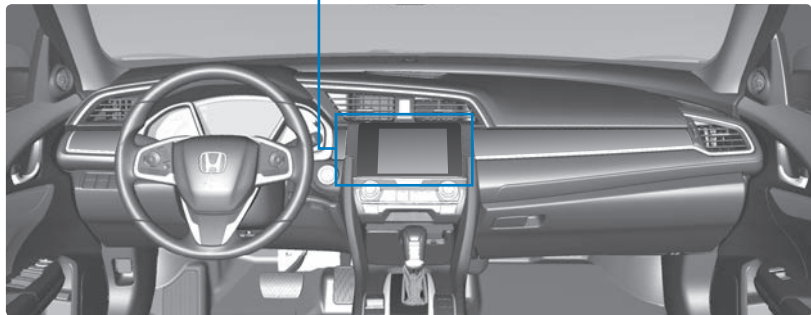
Open/close: Display or hide the station list or preset list.

Presets:

Select and hold a preset number to store the current station.

Select a preset number to select a previously stored station.


Seek: Search for the next or previous station with a strong signal.



Models with Display Audio

SiriusXM® Radio*

Available on a subscription basis only. For more information or to subscribe, contact your dealer, or visit www.siriusxm.com.



Source: Select the SiriusXM icon.

Scan: Scan for each station with a strong signal.

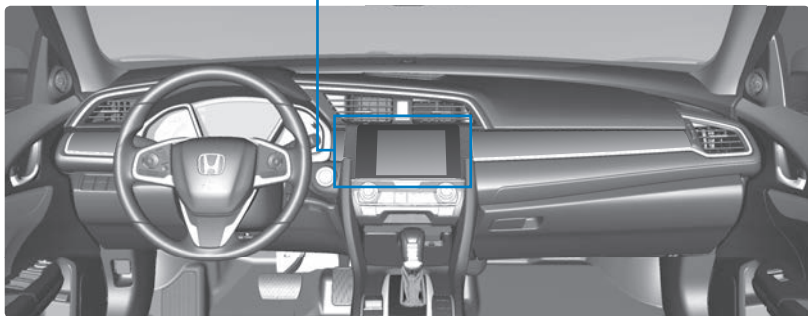
Category: Change the category.

Presets: Select and hold a preset number to store the current station. Select a preset number to select a previously stored station.

Channel: Change the channel. Press and hold to skip 10 channels at a time.

Skip: Change the selection. Press and hold to skip rapidly.

Open/close: Display or hide the channel list or preset list.



To learn about additional features—such as multi-channel preset, replay, or SportsFlash—see your Owner's Manual on the Owner Information CD or visit owners.honda.com.

Available in the U.S. and Canada, except Hawaii, Alaska, and Puerto Rico.
XM® is a registered trademark of Sirius XM Radio, Inc.

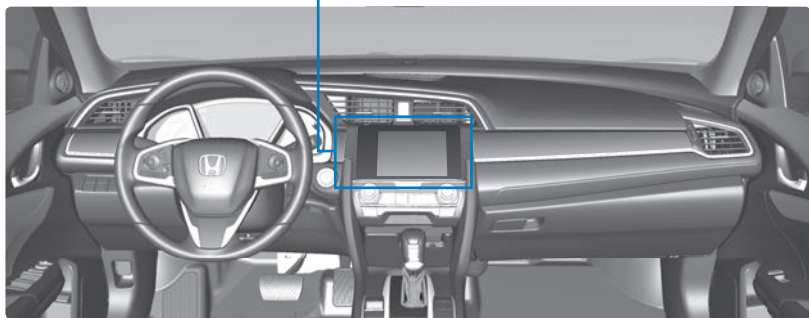
*if equipped

Models with Display Audio

iPod®

Play and operate an iPod through the vehicle's audio system. Connect your device to the USB port.

If an iPhone is connected via Apple CarPlay, the iPod source is unavailable and audio files on the phone can only be played within Apple CarPlay.



■ Searching for Music

Use the touchscreen to search for tracks stored on the iPod.

1. From the audio screen, press MENU.
2. Select Music Search.
3. Select a search option.
4. Select the track you want to play.

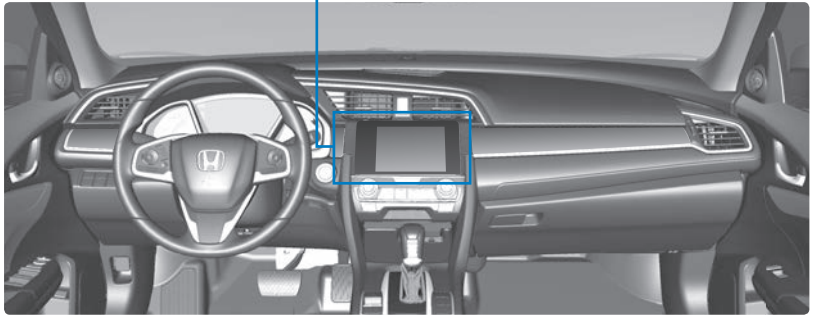
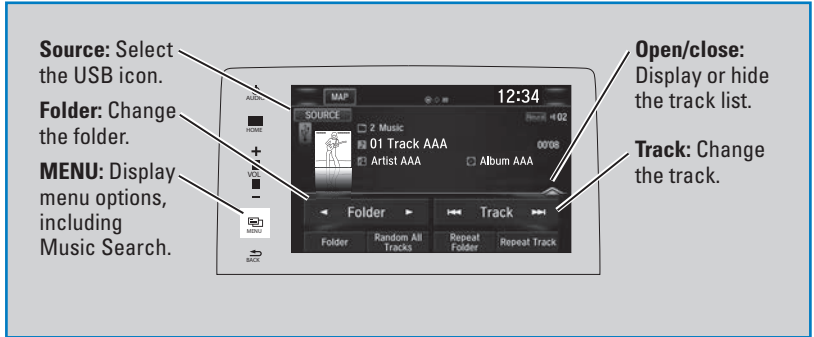


On vehicles with navigation, you can also search for and play iPod music using Song By Voice.

Models with Display Audio

USB Flash Drive

Play and operate a USB flash drive through the vehicle's audio system. Connect your device to the USB port.



■ Searching for Music

Use the touchscreen to search for tracks stored on the USB flash drive.

1. From the audio screen, press MENU.
2. Select Music Search.
3. Select a folder.
4. Select the track you want to play.



On vehicles with navigation, you can also search for and play music from the flash drive using Song By Voice.

Models with Display Audio

Bluetooth® Audio

Play streaming or stored audio from your compatible phone through the vehicle's audio system. Visit handsfreelink.com to check phone compatibility. Standard data rates apply with your phone service provider. Connect your phone to *Bluetooth HandsFreeLink*.

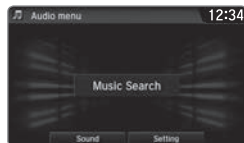
If a phone is currently connected via Apple CarPlay or Android Auto, *Bluetooth Audio* from that phone is unavailable.



■ Searching for Music

Use the touchscreen to search for tracks stored on the device.

1. From the audio screen, press MENU.
2. Select Music Search.
3. Select a search category.
4. Select the track you want to play.



Notes:

- Make sure the volume on your phone is properly adjusted.
- You may need to enable additional settings on your phone for playback.
- Certain audio controls are not supported on all phones.

Applicable laws may prohibit the operation of handheld electronic devices while operating a vehicle. Only launch streaming audio on your phone when it is safe to do so.