

MAINTENANCE

Under the Hood

1.5 l engine models

Engine oil fill cap

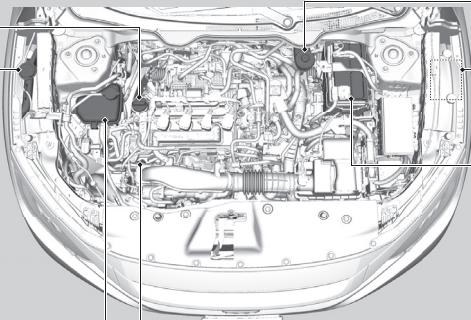
U.S. models
Washer fluid
(blue cap)

Reserve tank
Reserve tank cap
Engine oil dipstick
(orange)

Brake/Clutch* fluid
(black cap)

Canadian models
Washer fluid
(blue cap)

Battery



2.0 l engine models

Engine oil dipstick
(orange)

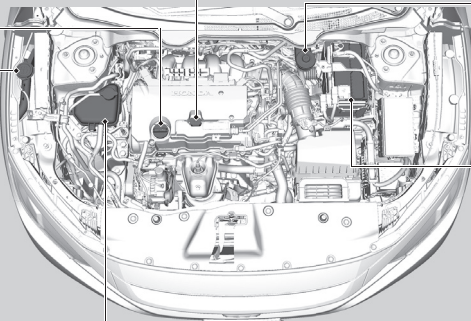
Engine oil fill cap

Washer fluid
(blue cap)

Reserve tank
Reserve tank cap

Brake/clutch* fluid
(Black cap)

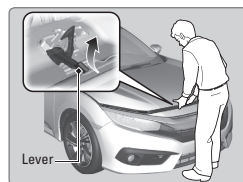
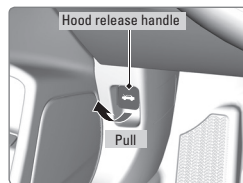
Battery



**if equipped*

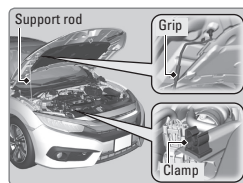
■ Opening the Hood

1. Park the vehicle on a level surface, and set the parking brake.
2. Pull the hood release handle under the lower left corner of the dashboard.
3. The hood latch lever is left of center. Slide the hood latch lever to the right to release the lock mechanism, and open the hood.



4. Remove the support rod from the clamp using the grip. Mount the support rod in the hood.

When closing, remove the support rod, and stow it in the clamp, then gently lower the hood. Remove your hand at a height of approximately 12 inches (30 cm) and let the hood close.



NOTICE

Do not open the hood when the wiper arms are raised. The hood will strike the wipers, and may damage either the hood or the wipers.