

Tire Repair Kit

If a tire goes flat while driving, grasp the steering wheel firmly, and brake gradually to reduce speed. Stop in a safe place. Follow the steps below. Go to a dealer as soon as possible to have the full-size tire repaired or replaced.

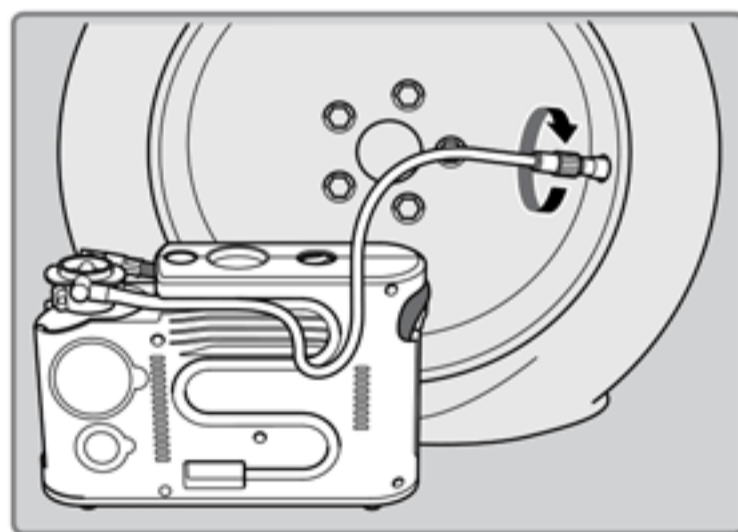
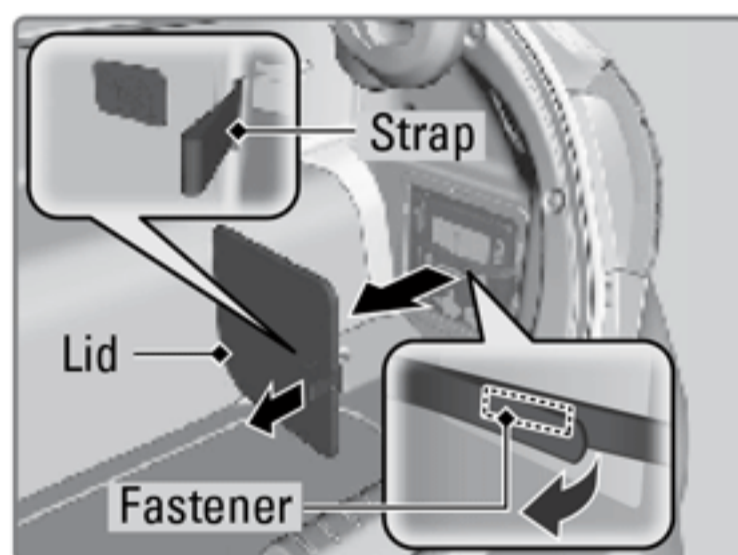
If a tire has a small puncture, you can use the tire repair kit to temporarily repair it. The puncture must be smaller than 3/16-inch (4 mm) and not in the tire sidewall. Go to a dealer to have the full-size tire permanently repaired or replaced. This vehicle is not equipped with a spare tire.

■ Before Repairing the Tire

1. Park the vehicle on a firm, level, and non-slippery surface.
2. Change the gear to Park (P) and apply the parking brake.
3. Turn on the hazard warning lights and set the power mode to VEHICLE OFF (LOCK).

■ Getting Ready to Repair the Tire

1. Open the lid on the right side of the trunk. Open the fastener and remove the tire repair kit.
2. Place the kit upright on flat ground near the punctured tire and away from traffic. Do not place the kit on its side.
3. Follow the instructions in the kit to repair the tire.



NOTICE

If the required air pressure is not reached within 10 minutes, the tire may be too severely damaged for the kit to provide the necessary seal and your vehicle will need to be towed.

Do not operate the temporary tire repair kit compressor for more than 15 minutes. The compressor can overheat and become permanently damaged.