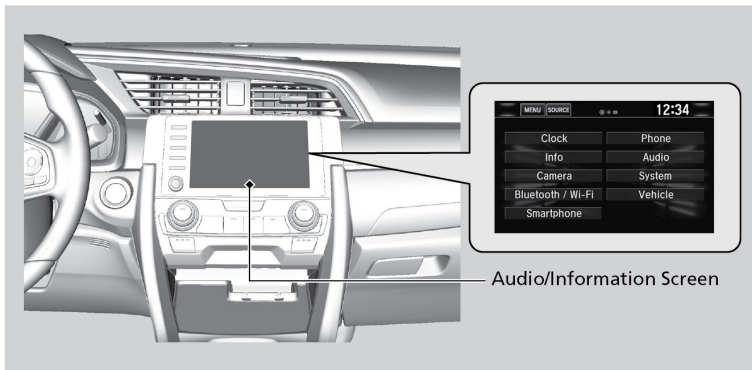


Customized Features

When you customize settings, make sure that the vehicle is at a complete stop and shift to Park (P).

Models with Display Audio



VEHICLE CONTROLS

■ How to Change a Setting

Models with Display Audio

1. Press the **Home** button.
2. Select **Settings**.
3. Select a category.
4. Select a setting option, and make your preferred changes.

Setting the Clock

On vehicles with navigation, the time is automatically set using GPS signals. On vehicles without navigation and if the Automatic Date & Time feature has been turned off, use the following steps to adjust the time in the clock display.

Models with Display Audio

Using the **Settings** menu on the audio/information screen.

1. Press the HOME button.
2. Select **Settings**.
3. Select **Clock**.
4. Select **Clock Adjustment**.
5. Select the up arrow or the down arrow to change the hour.
6. Select the up arrow or the down arrow to change the minute.
7. Select **OK**.



■ Customizing Door Lock and Unlock Settings

Customize the auto door lock and door unlock settings to your preference. Begin with the vehicle off.

Models with Display Audio

1. From the HOME screen, select **Settings**.
2. Select **Vehicle**.
3. Select **Door/Window Setup**.
4. Select **Auto Door Lock** or **Auto Door Unlock** to customize.