

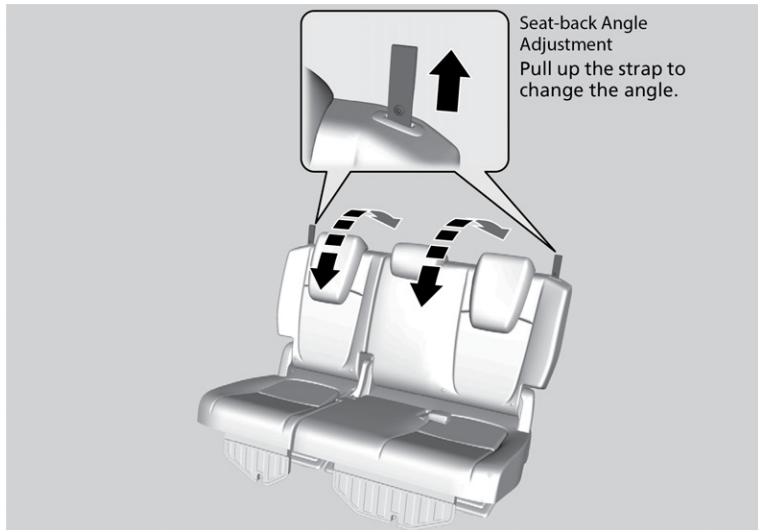
Adjusting the Rear Seats

Adjust second row seat, access third row seats, or remove seats for carrying cargo.

- **Adjusting the Third Row Passenger's Seats**

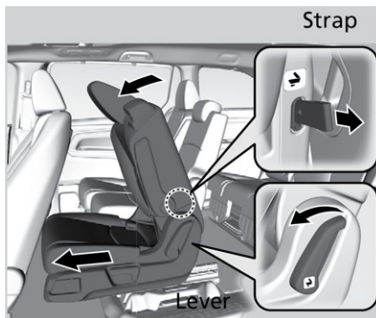
Pull up the right strap to change the angle of the right hand seat back or the left strap for the left and center seat backs.

VEHICLE CONTROLS



■ Third Row Seat Access

Pull up on the walk-in lever or pull the release strap to tilt the second row outer seat forward. Slide the whole seat forward.



■ Storing the One-Motion Third Row Magic Seat®

You can store the third row seats to create a flat cargo area.

1. Release the center seat belt detachable anchor (insert a key into the slot on the side of the anchor buckle) and retract the seat belt into the holder on the ceiling.
2. Lower the head restraints to their lowest positions.
3. Pull one of the straps to release the leg lock. Keep pulling to tuck the seats and straps into the cargo area.

To reinstall the seats: Grab the handle, pull up the folded seat and pivot it forward. The front of the seat automatically locks into place. Pull the strap to return the seat back to its upright position.

