

### Power Moonroof\*<sup>1</sup> Operation

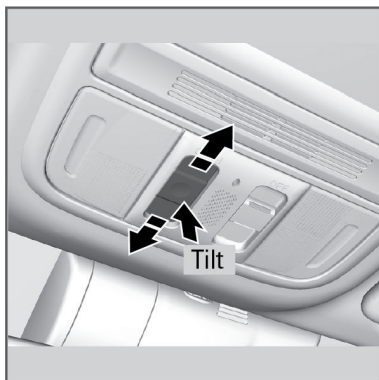
The moonroof can be opened and closed when the vehicle is on by using the switch on the ceiling.

#### ■ Automatic Operation

**To open:** Firmly pull the switch back.

**To close:** Firmly push the switch forward.

The moonroof automatically opens or closes all the way. To stop the moonroof midway, pull or push the switch briefly.



#### ■ Manual Operation

**To open:** Pull the switch back lightly.

**To close:** Push the switch forward lightly.

Release the switch when the window reaches the desired position.

#### ■ Moonroof Tilt

**To tilt:** Push the center of the switch.

**To close:** Push the switch forward firmly, then release.

#### NOTICE

Opening the moonroof in below freezing temperatures or when it is covered with snow or ice can damage the moonroof panel or motor.

#### ⚠ WARNING

Opening or closing the moonroof on someone's hands or fingers can cause serious injury.

Make sure all hands and fingers are clear from the moonroof before opening or closing it.