

### Power Moonroof\*1 Operation

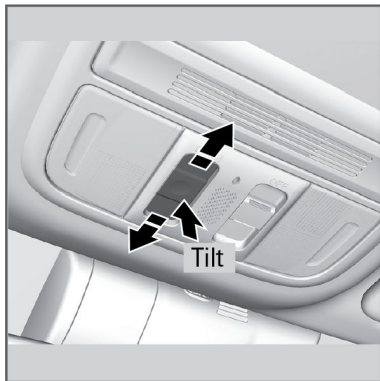
The moonroof can be opened and closed when the vehicle is on by using the switch on the ceiling.

#### ■ Automatic Operation

**To open:** Firmly pull the switch back.

**To close:** Firmly push the switch forward.

The moonroof automatically opens or closes all the way. To stop the moonroof midway, pull or push the switch briefly.



#### ■ Manual Operation

**To open:** Pull the switch back lightly, and hold it until the desired position is reached.

**To close:** Push the switch forward lightly, and hold it until the desired position is reached.

#### ■ Moonroof Tilt

**To tilt:** Push the center of the switch.

*\*1 - If equipped*

**To close:** Push the switch forward firmly, then release.

**NOTICE**

Opening the moonroof in below freezing temperature or when it is covered with snow or ice can damage the moonroof panel or motor.

**⚠ WARNING**

Opening or closing the moonroof on someone's hands or fingers can cause serious injury.

Make sure all hands and fingers are clear of the moonroof before opening or closing it.