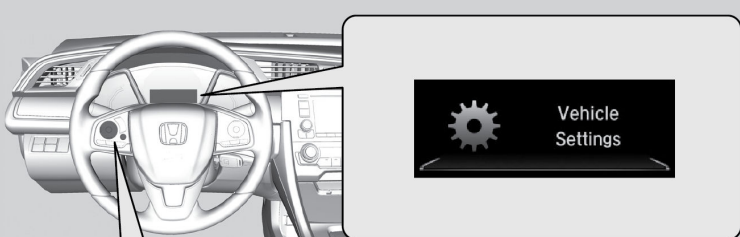


VEHICLE CONTROLS

Customized Features

When you customize settings, make sure that the vehicle is at a complete stop and shift to Park (P).

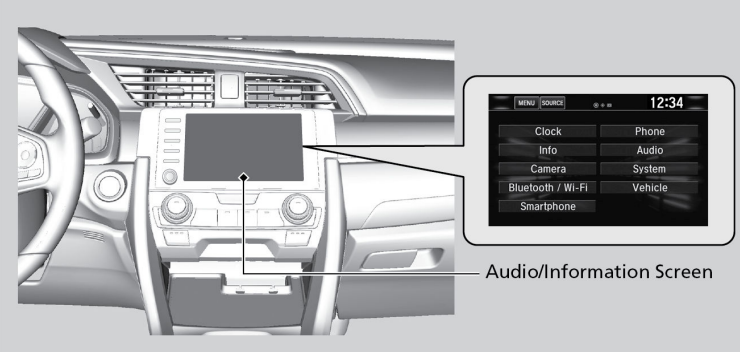
Models with Color Audio



The diagram shows a steering wheel with a central button and four directional buttons (up, down, left, right). A callout box shows a screen with a gear icon and the text "Vehicle Settings".

- ▲ Button** — Press to scroll upwards.
- ◀ Button** — Press to go back to the previous display.
- ▼ Button** — Press to scroll downwards.
- ENTER Button** — Press to set your selection.
- ▶ Button** — Press to go to the next display.
- ⓘ Button** — Press to go to **Vehicle Menu**.

Models with Display Audio



The diagram shows the center console with a large touchscreen. A callout box shows the screen displaying a menu with the following options:

MENU SOURCE 12:34	
Clock	Phone
Info	Audio
Camera	System
Bluetooth / Wi-Fi	Vehicle
Smartphone	

Audio/Information Screen

■ To Change a Setting

Models with Color Audio

Using the Driver Information Interface

1. Press the **Display/Information** button to select **Vehicle Settings**, then press the **ENTER** button.
2. Select a category.
3. Select a setting option and make your preferred changes. Then press the **ENTER** button.
4. Press the **Back** button to exit the menus.

Models with Display Audio

1. Press the **Home** button.
2. Select **Settings**.
3. Select a category.
4. Select a setting option, and make your preferred changes.
5. Press the **Back** button to exit the menus.

Setting the Clock

On vehicles with navigation, the time is automatically set using GPS signals.

To manually adjust the clock, use the following steps:

Models with Color Audio

1. Press and hold the **MENU/CLOCK** button.
2. Rotate **List/Selector** knob to change the hour, then press the **List/Selector** knob.
3. Rotate **List/Selector** knob to change the minute, then press the **List/Selector** knob.
4. Rotate the **List/Selector** knob to **Set**, then press the knob.



Models with Display Audio

Using the **Settings** menu on the audio/information screen.

1. Press the HOME button.
2. Select **Settings**.
3. Select **Clock**.
4. Select **Clock Adjustment**.
5. Select the up arrow or the down arrow to change the hour.
6. Select the up arrow or the down arrow to change the minute.
7. Select **OK** to set the time.

