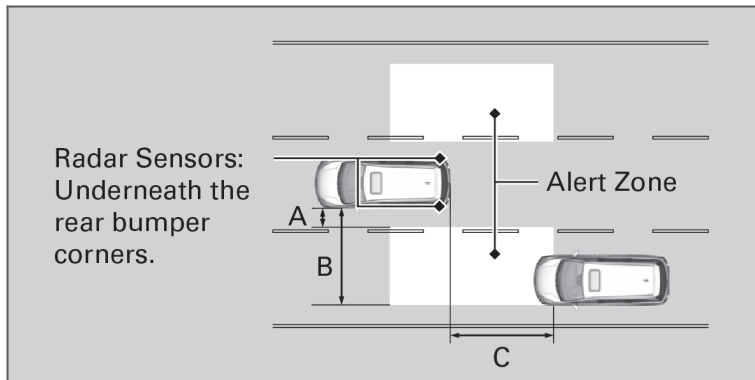


Blind Spot Information System*1

Alerts you to a detected vehicle in your left or right blind spot while driving between 20 mph (32 km/h) and 100 mph (160 km/h). When the system detects vehicles approaching from behind in adjacent lanes, the appropriate indicator comes on for a few seconds, providing assistance when you change lanes.

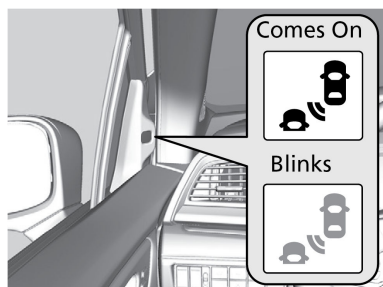


Blind Spot Information System Alert Indicator comes on when:

- A vehicle enters the alert zone from behind to overtake you with a speed difference of no more than 31 mph (50 km/h) from your vehicle.
- You pass a vehicle with a speed difference of no more than 12 mph (20 km/h).

Blinks and the beeper sounds when:

You move the turn signal lever in the direction of the detected vehicle. The beeper sounds three times.



■ Changing Settings

Determine the warning type or turn the system off. The vehicle must be in Park (P).

1. Select HOME, then select Settings.
2. Select Vehicle.
3. Select Driver Assist System Setup.
4. Select Blind Spot Information.
5. Select an alert type or turn the system off.

■ "Blind Spot Information Not Available" Information Message



The Blind Spot Information system is deactivated and a message appears when:

Mud, snow, or ice accumulates in the vicinity of the sensors.

- Stop your vehicle in a safe place and clear the area in the vicinity of the sensor on both sides of the vehicle. Refer to Blind Spot Information for the location of the sensors.

■ Important Safety Reminder

Like all assistance systems, the Blind Spot Information System has limitations. Over-reliance on the system may result in a collision. The system is for your convenience only.

⚠ WARNING

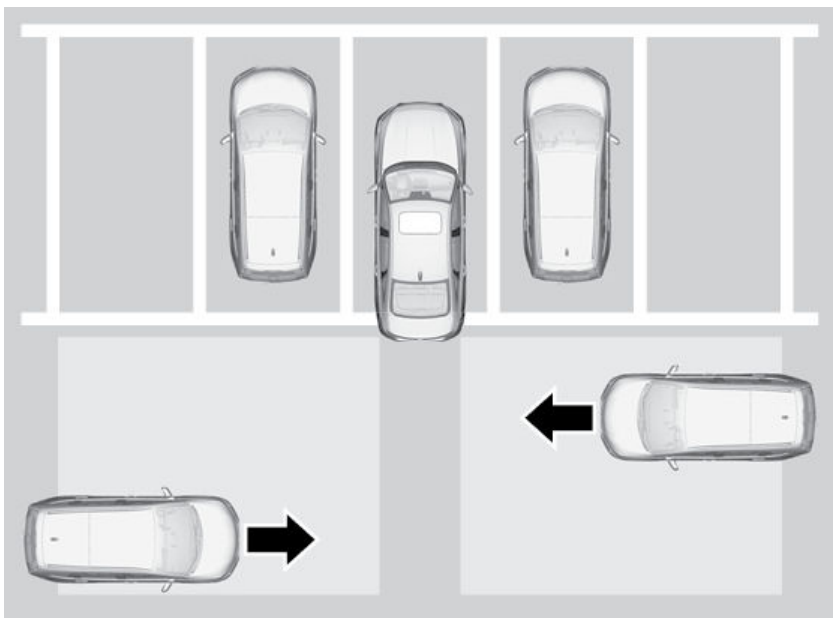
Failure to visually confirm that it is safe to change lanes before doing so may result in a crash and serious injury or death.

Do not rely only on the blind spot information system when changing lanes.

Always look in your mirrors, to either side of your vehicle, and behind you for other vehicles before changing lanes.

Cross Traffic Monitor*1

Alerts you if a detected vehicle is approaching from a rear corner when your vehicle is in Reverse (R) at speeds of 3 mph (5 km/h) or lower.



When a vehicle is detected approaching from a rear corner, Cross Traffic Monitor alerts you with a buzzer and a displayed warning.

The system will not detect a vehicle that approaches from directly behind your vehicle, nor will it provide alerts about a detected vehicle when it moves directly behind your vehicle.

The system does not provide alerts for a vehicle that is moving away from your vehicle, and it may alert for pedestrians, bicycles, or stationary objects.

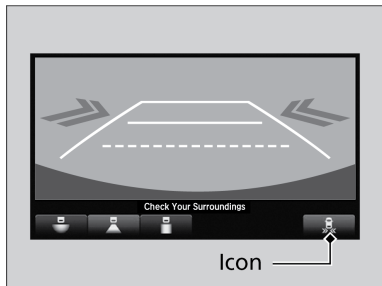
**1 - If equipped*

■ Turning the System On or Off

Models with Display Audio

1. Select HOME, then select Settings.
2. Select Camera.
3. Select Rear Camera.
4. Select Cross Traffic Monitor.
5. Select On or Off .

The system can also be turned on and off on the audio/information screen by pressing the CTM icon.



⚠ WARNING

Cross Traffic Monitor cannot detect all approaching vehicles and may not detect an approaching vehicle at all.

Failure to visually confirm that it is safe to back up the vehicle before doing so may result in a collision.

Do not solely rely on the system when reversing; always also use your mirrors, and look behind and to the sides of your vehicle before reversing.