

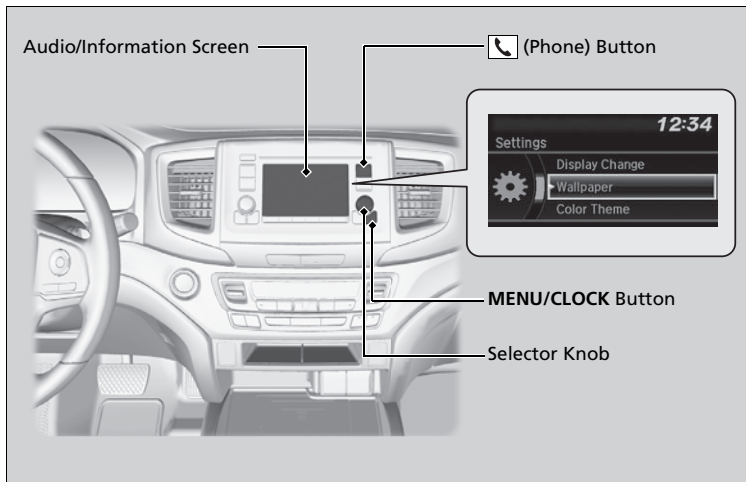
Customized Features

Models with color audio system

Use the audio/information screen to customize certain features.

■ How to customize



While the vehicle is at a complete stop with the power mode in ON, press the **MENU/CLOCK** button, then select **Settings**. To customize the phone settings, press the  button, then select **Phone Setup**.



» Customized Features

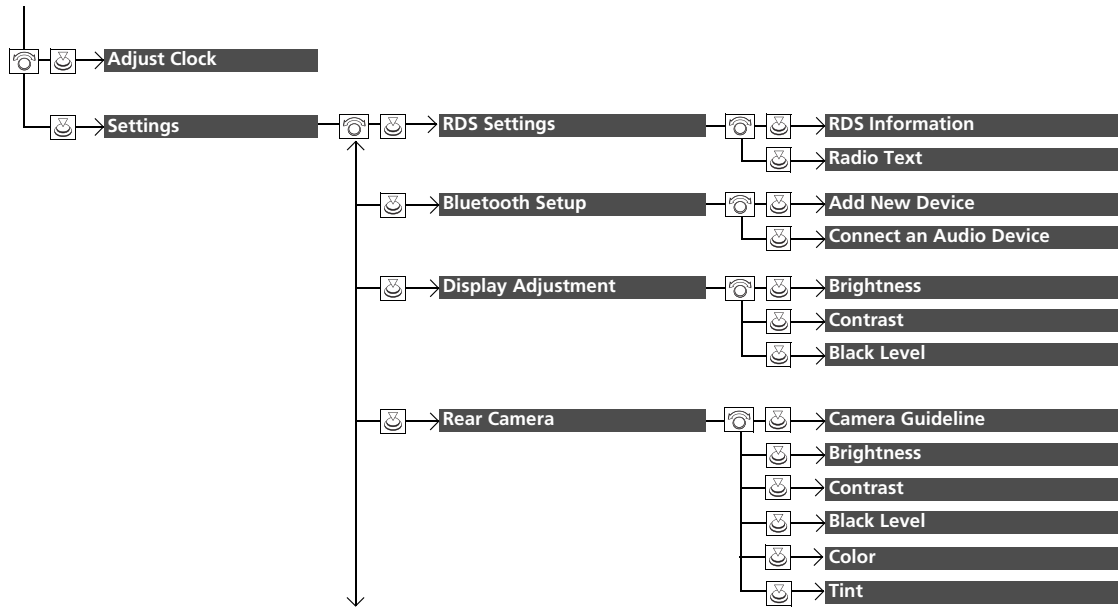
When you customize settings, make sure that the vehicle is at a complete stop and shift to **[P]**.

» How to customize

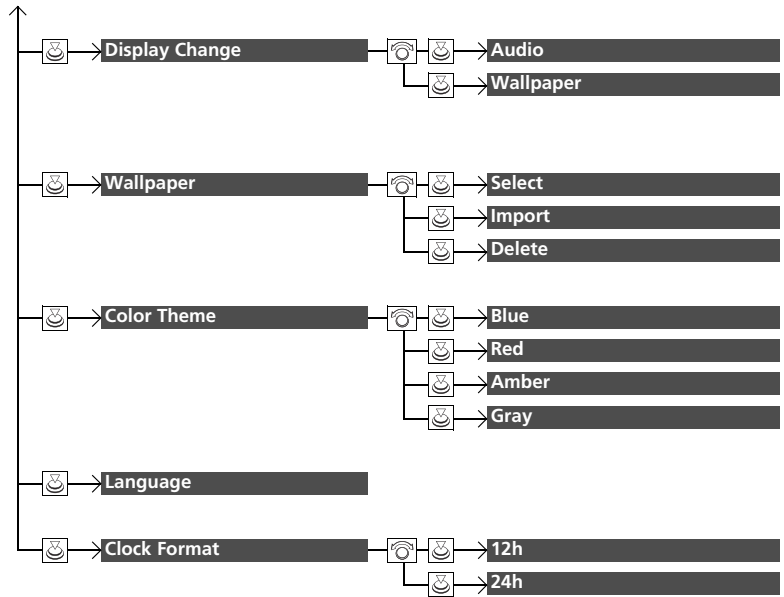
These indications are used to show how to operate the selector knob.
Rotate  to select.
Press  to enter.

■ Customization Flow

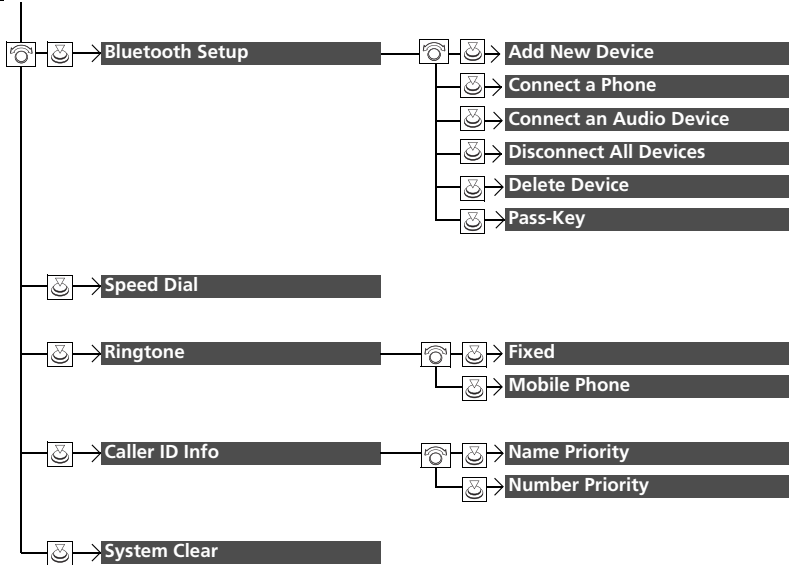
Press the MENU/CLOCK button.



►► Customized Features ►



Press the  button and rotate  to select **Phone Setup**, then press .



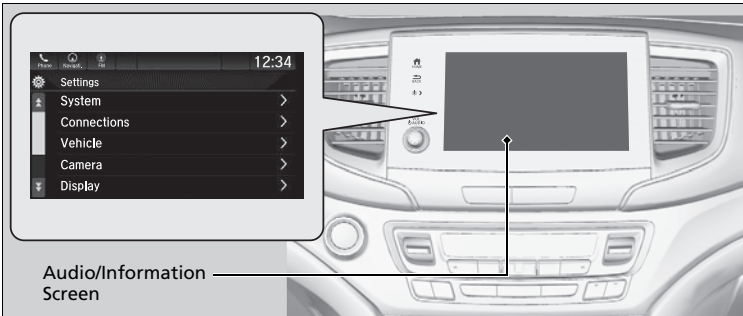
Customized Features

Models with Display Audio

Use the audio/information screen to customize certain features.

■ How to customize

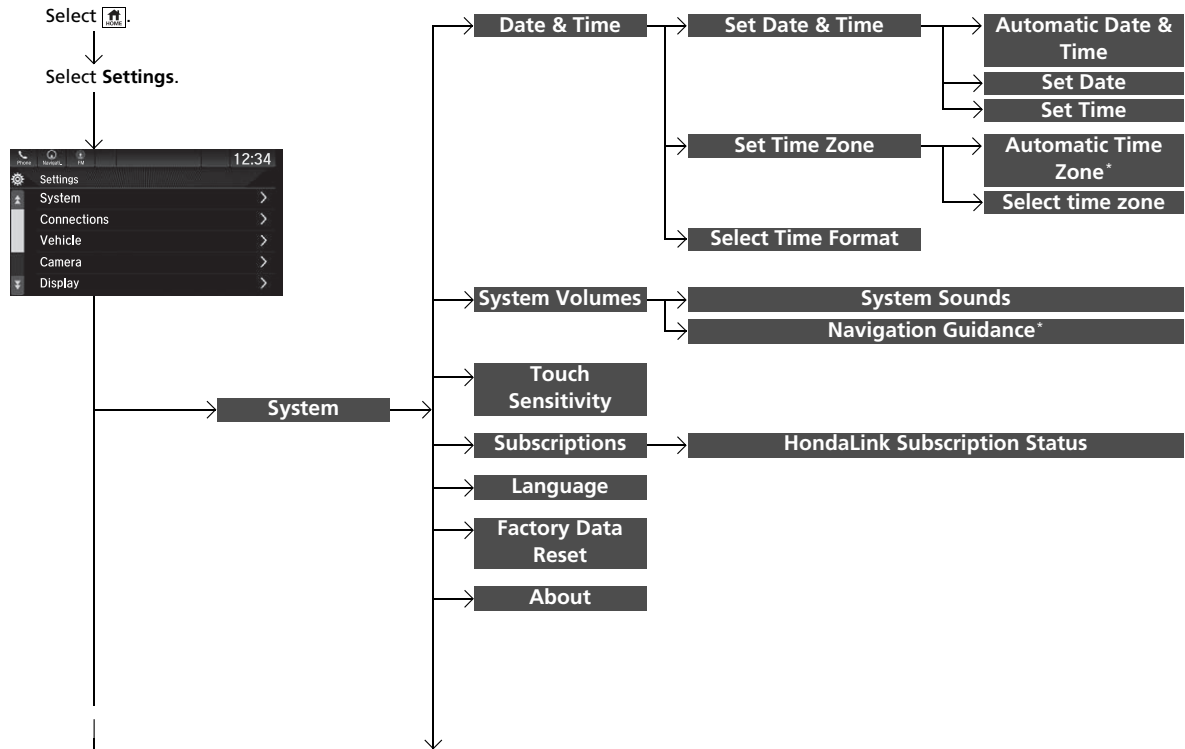
With the power mode in ON, select **Settings**, then select a setting item.



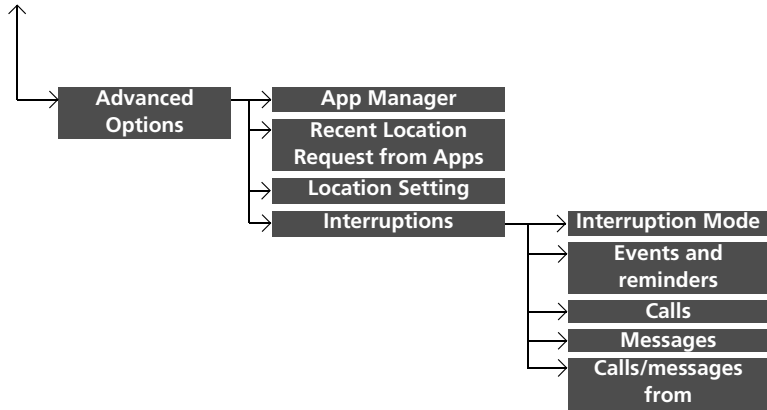
⊗ Customized Features

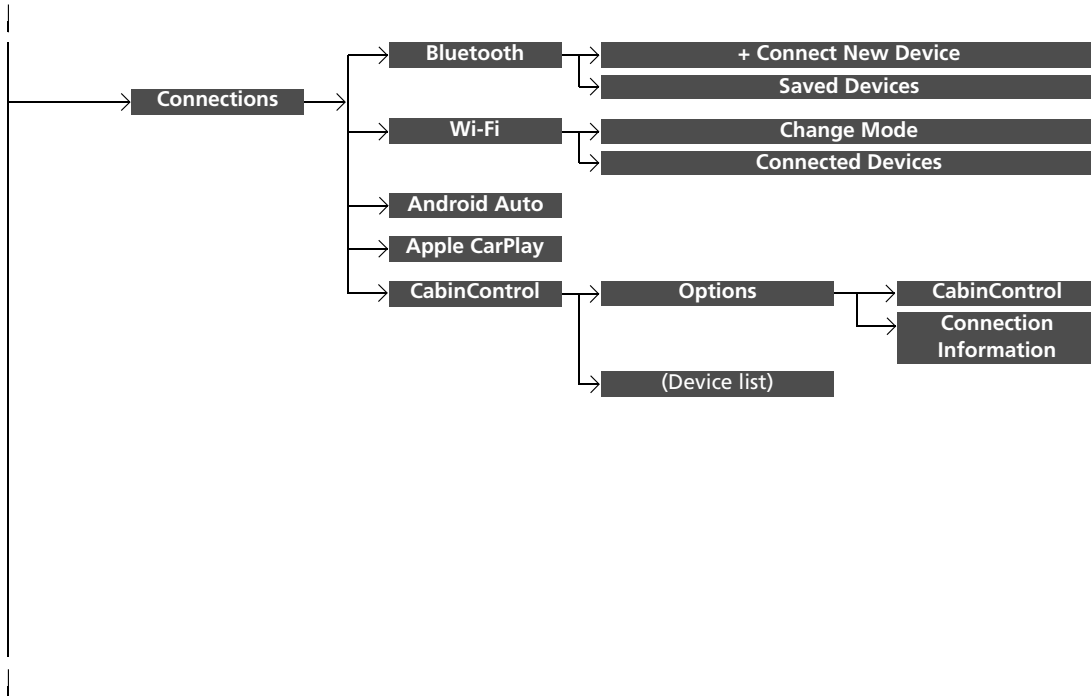
When you customize settings, make sure that the vehicle is at a complete stop and shift to **[P]**.

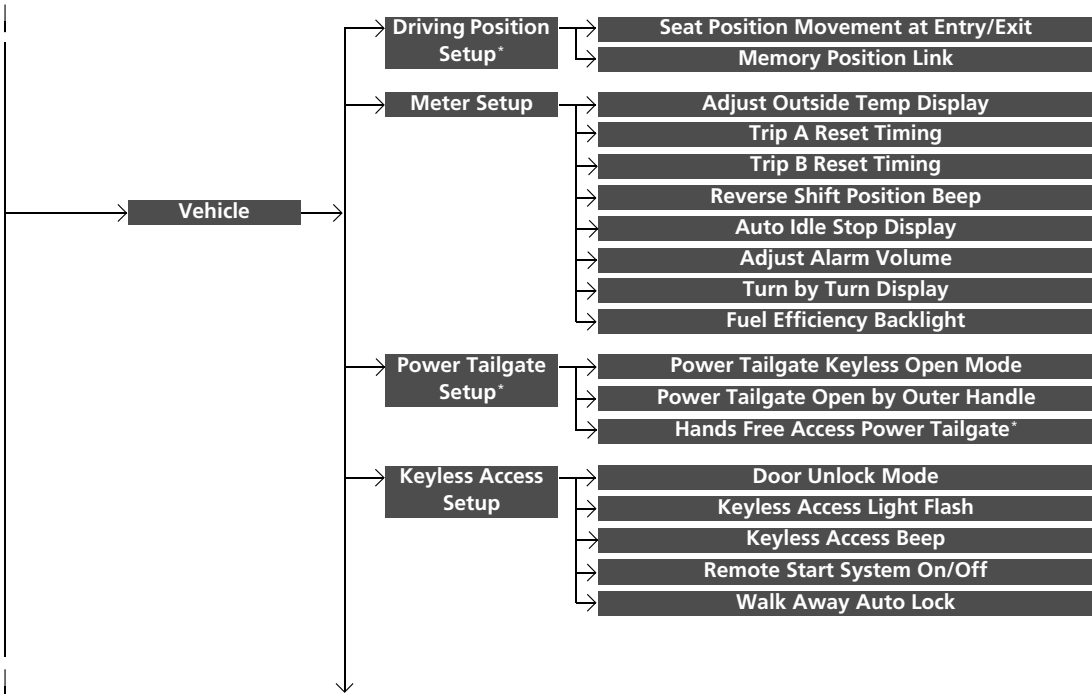
■ Customization flow



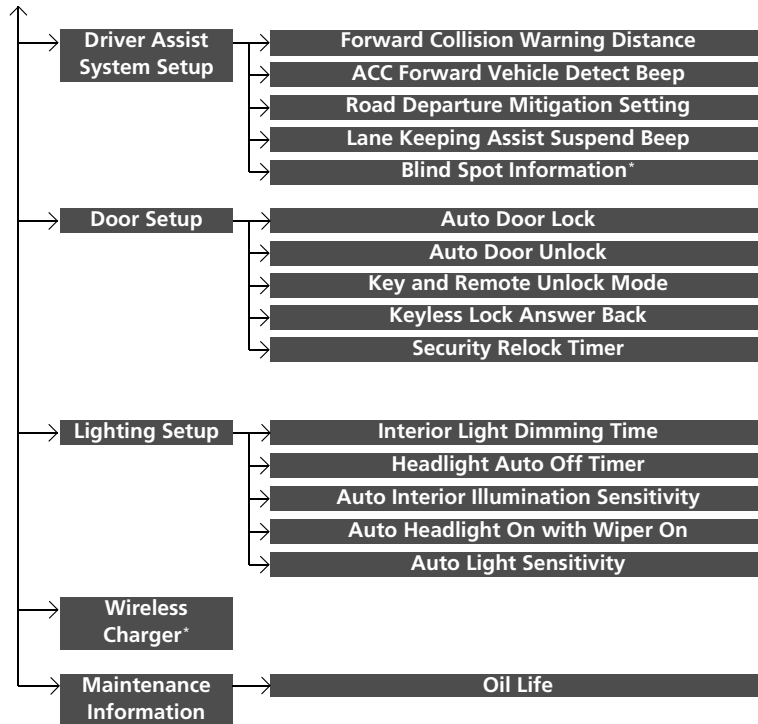
* Not available on all models







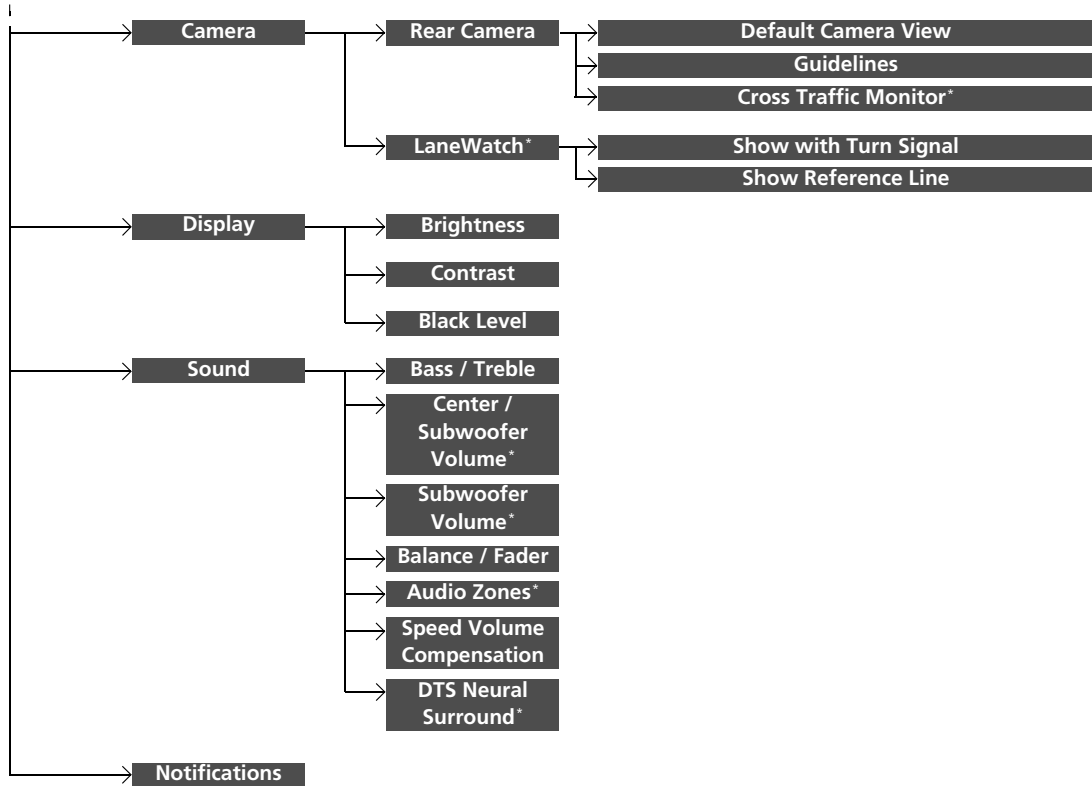
* Not available on all models



Features

* Not available on all models

►► Customized Features ►



* Not available on all models